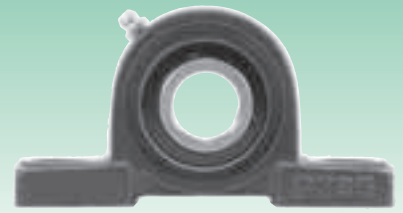
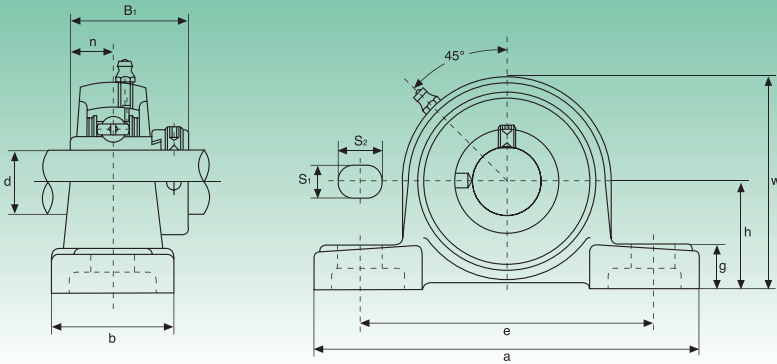


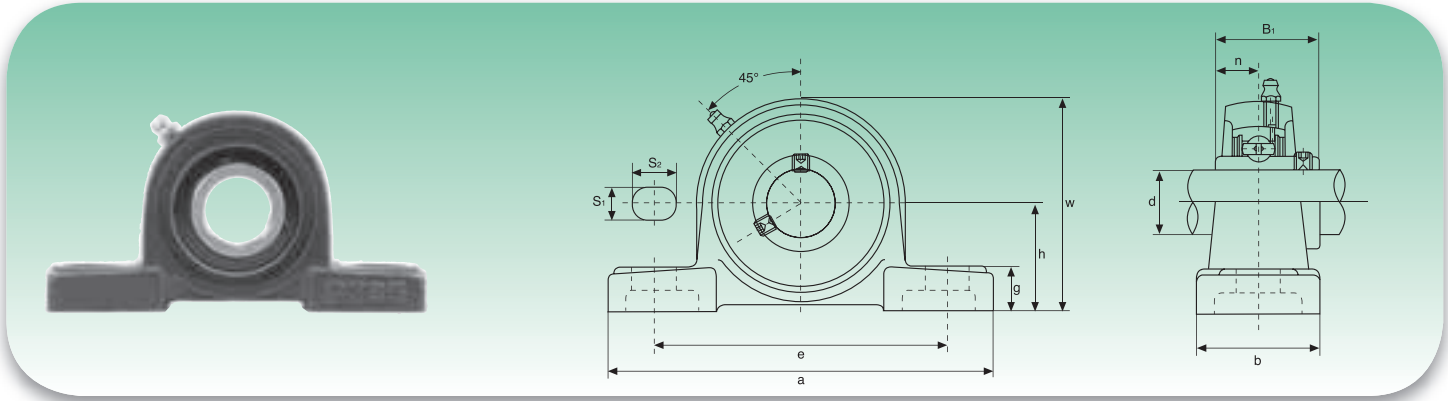
Tipo Type	Dimensioni - Dimensions												Bull. fiss. Bolt Size	Coefficienti di carico (N) Load ratings (N)		Cuscinetto Bearing	Supporto Housing	Peso Weight	
	d	h	a	e	b	S <sub>1</sub>	S <sub>2</sub>	g	w	t	B <sub>1</sub>	n		Dinamico C Dynamic C	Statico C <sub>0</sub> Static C <sub>0</sub>				kg
	mm/inch													mm/inch					
UCP201	12	30,2	127	95	38	13	19	14	62	44,5	31	12,7	M10	12160	6318	UC201	P203	0,69	
UCP201-8	½	13/16	5	3¾	1½	½	¾	9/16	27/16	1¾	1,2205	0,500	3/8						
UCP202	15	30,2	127	95	38	13	19	14	62	44,5	31	12,7	M10	12160	6318	UC202	P203	0,69	
UCP202-9	9/16	13/16	5	3¾	1½	½	¾	9/16	27/16	1¾	1,2205	0,500	3/8						
UCP202-10	5/8	13/16	5	3¾	1½	½	¾	9/16	27/16	1¾	1,2205	0,500	3/8						
UCP203	17	30,2	127	95	38	13	19	14	62	44,5	31	12,7	M10	12160	6318	UC203	P203	0,68	
UCP203-11	11/16	13/16	5	3¾	1½	½	¾	9/16	27/16	1¾	1,2205	0,500	3/8						
UCP204	20	33,3	127	95	38	13	19	14	65	44,5	31	12,7	M10	12160	6318	UC204	P204	0,66	
UCP204-12	¾	15/16	5	3¾	1½	½	¾	9/16	29/16	1¾	1,2205	0,500	3/8						
UCP205	25	36,5	140	105	38	13	19	15	71	48	34,1	14,3	M10	13300	7457	UC205	P205	0,81	
UCP205-13	13/16																		
UCP205-14	7/8	17/16	5½	41/8	1½	½	¾	19/32	225/32	157/64	1,3425	0,563	3/8						
UCP205-15	15/16																		
UCP205-16	1																		
UCP206	30	42,9	165	121	48	17	20	17	84	53	38,1	15,9	M14	18525	10735	UC206	P206	1,24	
UCP206-17	11/16																		
UCP206-18	11/8	111/16	6½	4¾	17/8	43/64	25/32	21/32	35/16	25/64	1,5000	0,626	½						
UCP206-19	13/16																		
UCP206-20	1¼																		
UCP207	35	47,6	167	127	48	17	20	18	93	59,5	42,9	17,5	M14	24415	14630	UC207	P207	1,58	
UCP207-20	1¼																		
UCP207-21	15/16	17/8	69/16	5	17/8	43/64	25/32	45/64	321/32	211/32	1,6890	0,689	½						
UCP207-22	13/8																		
UCP207-23	17/16																		
UCP208	40	49,2	184	137	54	17	20	18	100	69	49,2	19	M14	27645	16910	UC208	P208	1,89	
UCP208-24	1½	115/16	7¼	513/32	21/8	43/64	25/32	45/64	315/16	223/32	1,9370	0,748	½						
UCP208-25	19/16																		
UCP209	45	54,0	190	146	54	17	20	20	106	69	49,2	19	M14	32395	20235	UC209	P209	2,14	
UCP209-26	15/8																		
UCP209-27	111/16	21/8	715/32	5¾	21/8	43/64	25/32	25/32	411/64	223/32	1,9370	0,748	½						
UCP209-28	1¾																		
UCP210	50	57,2	206	159	60	20	23	21	113	74,5	51,6	19	M16	33345	22135	UC210	P210	2,66	
UCP210-29	113/16																		
UCP210-30	17/8	2¼	81/8	6¼	23/8	25/32	29/32	53/64	429/64	215/16	2,0315	0,748	5/8						
UCP210-31	115/16																		
UCP210-32	2																		
UCP211	55	63,5	219	171	60	20	23	23	125	76	55,6	22,2	M16	41230	27930	UC211	P211	3,31	
UCP211-32	2																		
UCP211-33	21/16	2½	85/8	647/64	23/8	25/32	29/32	29/32	459/64	3	2,1890	0,874	5/8						
UCP211-34	21/8																		
UCP211-35	23/16																		
UCP212	60	69,8	241	184	70	20	23	25	138	89	65,1	25,4	M16	49780	34390	UC212	P212	4,90	
UCP212-36	2¼																		
UCP212-37	25/16	2¾	9½	7¼	234	25/32	29/32	63/64	57/16	3½	2,5630	1,000	5/8						
UCP212-38	23/8																		
UCP212-39	27/16																		
UCP213	65	76,2	265	203	70	25	28	27	150	89	65,1	25,4	M20	54340	38095	UC213	P213	5,15	
UCP213-40	2½	3	107/16	8	2¾	63/64	13/32	11/16	529/32	3½	2,5630	1,000	¾						
UCP213-41	29/16																		
UCP214	70	79,4	266	210	72	25	28	27	156	-	74,6	30,2	M20	59090	41895	UC214	P214	6,20	
UCP214-42	25/8																		
UCP214-43	211/16	31/8	1015/32	817/64	227/32	63/64	13/32	11/16	69/64	-	2,9370	1,189	¾						
UCP214-44	2¾																		
UCP215	75	82,6	275	217	74	25	28	28	162	-	77,8	33,3	M20	64030	45885	UC215	P215	7,16	
UCP215-45	213/16																		
UCP215-46	27/8	3¾	1053/64	835/64	229/32	63/64	13/32	13/32	63/8	-	3,0630	1,311	¾						
UCP215-47	215/16																		
UCP215-48	3																		
UCP216	80	88,9	292	232	78	25	28	30	174	-	82,6	33,3	M20	69065	50350	UC216	P216	8,10	
UCP216-49	31/16																		
UCP216-50	31/8	3½	11½	91/8	31/16	63/64	13/32	13/16	627/32	-	3,2520	1,311	¾						
UCP216-51	33/16																		
UCP217	85	95,2	310	247	83	25	28	32	185	-	85,7	34,1	M20	79800	58805	UC217	P217	9,81	
UCP217-52	3¾																		
UCP217-53	35/16	3¾	1213/64	923/32	317/64	63/64	13/32	1¼	79/32	-	3,3740	1,343	¾						
UCP217-55	37/16																		
UCP218	90	101,6	327	262	88	27	30	33	198	-	96	39,7	M22	91295	67925	UC218	P218	11,96	
UCP218-56	3½	4	127/8	105/16	315/32	11/16	13/16	119/64	751/64	-	3,7795	1,5630	7/8						

Disponibile in acciaio inox Supporto: AISI 304 - Cuscinetto: AISI 440C o 420C - Available stainless steel Housing: AISI 304 - Bearing: AISI 440C or 420C  
 Disponibile su richiesta con cuscinetto SA (SAP.) - Available under request with SA bearing (SAP.)

HCP2 Serie normale - Standard duty

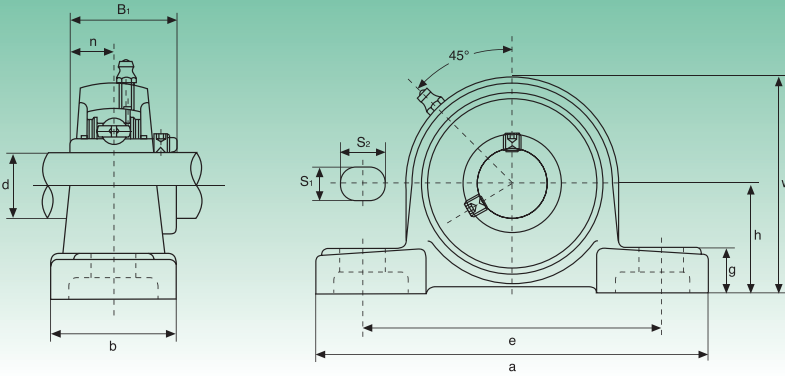


Tipo Type	Dimensioni - Dimensions											Bull. fiss. Bolt Size	Coefficients di carico (N) Load ratings (N)		Cuscinetto Bearing	Supporto Housing	Peso Weight
	d	h	a	e	b	S <sub>1</sub>	S <sub>2</sub>	g	w	B <sub>1</sub>	n		Dinamico C Dynamic C	Statico C <sub>0</sub> Static C <sub>0</sub>			
	mm/inch												mm/inch				
<b>HCP204</b>	<b>20</b>	33,3	127	95	38	13	19	14	65	43,7	17,1	M10	12160	6318	<b>HC204</b>	<b>P204</b>	0,73
HCP204-12	1 1/4	15/16	5	3 3/4	1 1/2	1/2	3/4	9/16	29/16	1,720	0,673	3/8			0,73		
<b>HCP205</b>	<b>25</b>	36,5	140	105	38	13	19	15	71	44,4	17,5	M10	13300	7457	<b>HC205</b>	<b>P205</b>	0,88
HCP205-13	13/16	17/16	5 1/2	41/8	1 1/2	1/2	3/4	19/32	225/32	1,748	0,689	3/8			0,93		
HCP205-14	7/8														0,92		
HCP205-15	15/16														0,90		
HCP205-16	1														0,88		
<b>HCP206</b>	<b>30</b>														42,9		165
HCP206-17	11/16	111/16	6 1/2	4 3/4	17/8	43/64	25/32	21/32	35/16	1,906	0,720	1/2	1,42				
HCP206-18	11/8												1,39				
HCP206-19	13/16												1,37				
HCP206-20	1 1/4												1,34				
<b>HCP207</b>	<b>35</b>	47,6	167	127	48	17	20	18	93	51,1	18,8	M14	24415	14630	<b>HC207</b>	<b>P207</b>	1,70
HCP207-20	1 1/4	17/8	69/16	5	17/8	43/64	25/32	45/64	321/32	2,012	0,740	1/2			1,77		
HCP207-21	15/16														1,73		
HCP207-22	13/8														1,70		
HCP207-23	17/16														1,67		
<b>HCP208</b>	<b>40</b>	49,2	184	137	54	17	20	18	100	56,3	21,4	M14	27645	16910	<b>HC208</b>	<b>P208</b>	2,04
HCP208-24	1 1/2	115/16	7 1/4	513/32	21/8	43/64	25/32	45/64	315/16	2,217	0,843	1/2			2,09		
HCP208-25	19/16														2,05		
<b>HCP209</b>	<b>45</b>	54,0	190	146	54	17	20	20	106	56,3	21,4	M14	32395	20235	<b>HC209</b>	<b>P209</b>	2,31
HCP209-26	15/8	21/8	715/32	5 3/4	21/8	43/64	25/32	25/32	411/64	2,217	0,843	1/2			2,42		
HCP209-27	111/16														2,37		
HCP209-28	1 3/4														2,33		
<b>HCP210</b>	<b>50</b>	57,2	206	159	60	20	23	21	113	62,7	24,6	M16	33345	22135	<b>HC210</b>	<b>P210</b>	2,85
HCP210-29	113/16	2 1/4	81/8	6 3/4	23/8	25/32	29/32	53/64	429/64	2,469	0,969	5/8			3,00		
HCP210-30	17/8														2,94		
HCP210-31	115/16														2,88		
HCP210-32	2														2,82		
<b>HCP211</b>	<b>55</b>	63,5	219	171	60	20	23	23	125	71,4	27,8	M16	41230	27930	<b>HC211</b>	<b>P211</b>	3,52
HCP211-32	2	2 1/2	85/8	647/64	23/8	25/32	29/32	29/32	459/64	2,811	1,094	5/8			3,72		
HCP211-33	21/16														3,64		
HCP211-34	21/8														3,57		
HCP211-35	23/16														3,49		
<b>HCP212</b>	<b>60</b>	69,8	241	184	70	20	23	25	138	77,8	31	M16	49780	34390	<b>HC212</b>	<b>P212</b>	5,24
HCP212-36	2 1/4	2 3/4	9 1/2	7 1/4	234	25/32	29/32	63/64	57/16	3,063	1,220	5/8			5,40		
HCP212-37	25/16														5,31		
HCP212-38	23/8														5,26		
HCP212-39	27/16														5,13		
<b>HCP213</b>	<b>65</b>	76,2	265	203	70	25	28	27	150	85,7	34,1	M20	54340	38095	<b>HC213</b>	<b>P213</b>	5,71
HCP213-40	2 1/2	3	107/16	8	2 3/4	63/64	13/32	11/16	529/32	3,374	1,343	3/4			5,81		
HCP213-41	29/16														5,70		
<b>HCP214</b>	<b>70</b>	79,4	266	210	72	25	28	27	156	85,7	34,1	M20	59090	41895	<b>HC214</b>	<b>P214</b>	6,70
HCP214-42	25/8	31/8	1015/32	817/64	227/32	63/64	13/32	11/16	69/64	3,374	1,343	3/4			6,94		
HCP214-43	211/16														6,83		
HCP214-44	2 3/4														6,71		
<b>HCP215</b>	<b>75</b>	82,6	275	217	74	25	28	28	162	92,1	37,3	M20	64030	45885	<b>HC215</b>	<b>P215</b>	7,79
HCP215-45	213/16	3 1/4	1053/64	835/64	229/32	63/64	13/32	13/32	63/8	3,626	1,426	3/4			8,09		
HCP215-46	27/8														7,96		
HCP215-47	215/16														7,83		
HCP215-48	3														7,69		

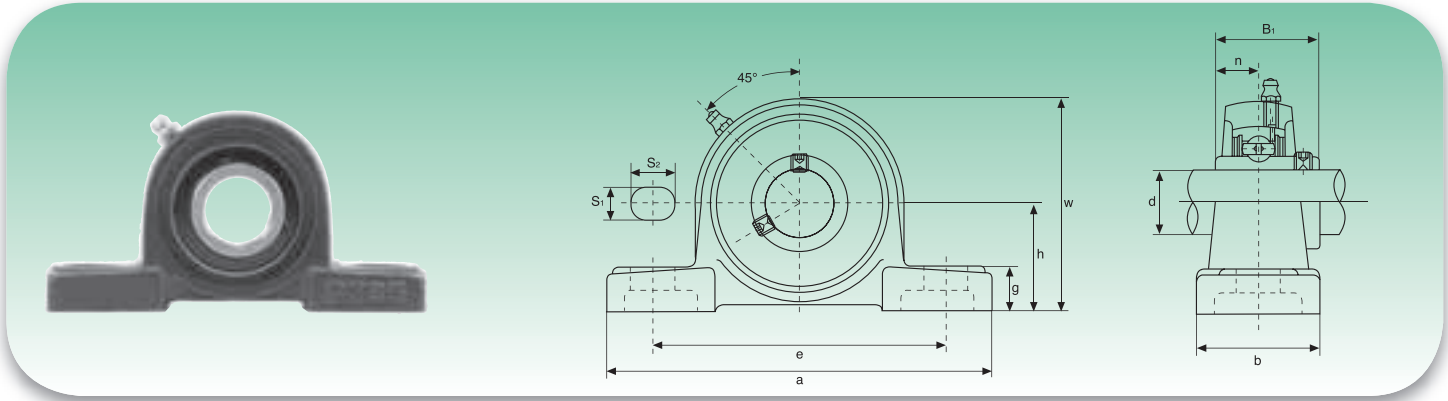


Tipo Type	Dimensioni - Dimensions											Bull. fiss. Bolt Size	Coefficients di carico (N) Load ratings (N)		Cuscinetto Bearing	Supporto Housing	Peso Weight	
	d	h	a	e	b	S <sub>1</sub>	S <sub>2</sub>	g	w	B <sub>1</sub>	n		Dinamico C Dynamic C	Statico C <sub>0</sub> Static C <sub>0</sub>				kg
	mm/inch												mm/inch					
<b>UCLP201</b> UCLP201-8	12 ½	31,75 1¼	127 5	95 3¾	38 1½	13 ½	16 5/8	14 9/16	64 233/64	31 1,2205	12,7 0,500	M10 3/8	12160	6318	<b>UC201</b> UC201-8	<b>LP204</b>	0,69 0,69	
<b>UCLP202</b> UCLP202-9 UCLP202-10	15 9/16 5/8	31,75 1¼	127 5	95 3¾	38 1½	13 ½	16 5/8	14 9/16	64 233/64	31 1,2205	12,7 0,500	M10 3/8	12160	6318	<b>UC202</b> UC202-9 UC202-10	<b>LP204</b>	0,69 0,69 0,69	
<b>UCLP203</b> UCP203-11	17 11/16	31,75 1¼	127 5	95 3¾	38 1½	13 ½	16 5/8	14 9/16	64 233/64	31 1,2205	12,7 0,500	M10 3/8	12160	6318	<b>UC203</b> UC203-11	<b>LP204</b>	0,68 0,67	
<b>UCLP204</b> UCP204-12	20 ¾	31,75 1¼	127 5	95 3¾	38 1½	13 ½	16 5/8	14 9/16	64 233/64	31 1,2205	12,7 0,500	M10 3/8	12160	6318	<b>UC204</b> UC204-12	<b>LP204</b>	0,66 0,66	
<b>UCLP205</b> UCLP205-13 UCLP205-14 UCLP205-15 UCLP205-16	25 13/16 7/8 15/16 1	33,34 15/16	140 5½	105 41/8	38 1½	13 ½	16 5/8	15 19/32	68 243/64	34,1 1,3425	14,3 0,563	M10 3/8	13300	7457	<b>UC205</b> UC205-13 UC205-14 UC205-15 UC205-16	<b>LP205</b>	0,81 0,85 0,83 0,82 0,81	
<b>UCLP206</b> UCLP206-17 UCLP206-18 UCLP206-19 UCLP206-20	30 11/16 11/8 13/16 1¼	39,69 19/16	165 6½	121 4¾	48 17/8	17 43/64	20 25/32	17 21/32	80 35/32	38,1 1,5000	15,9 0,626	M14 ½	18525	10735	<b>UC206</b> UC206-17 UC206-18 UC206-19 UC206-20	<b>LP206</b>	1,24 1,27 1,26 1,24 1,23	
<b>UCLP207</b> UCLP207-20 UCLP207-21 UCLP207-22 UCLP207-23	35 1¼ 15/16 13/8 17/16	46,04 69/16	167 5	127 17/8	48 43/64	17 25/32	20 25/32	18 45/64	91 337/64	42,9 1,6890	17,5 0,689	M14 ½	24415	14630	<b>UC207</b> UC207-20 UC207-21 UC207-22 UC207-23	<b>LP207</b>	1,58 1,64 1,61 1,58 1,55	
<b>UCLP208</b> UCLP208-24 UCLP208-25	40 1½ 19/16	49,2 115/16	184 7¼	137 513/32	54 21/8	17 43/64	20 25/32	18 45/64	100 315/16	49,2 1,9370	19 0,748	M14 ½	27645	16910	<b>UC208</b> UC208-24 UC208-25	<b>LP208</b>	1,89 1,93 1,90	
<b>UCLP209</b> UCLP209-26 UCLP209-27 UCLP209-28	45 15/8 111/16 1¾	52,39 21/16	190 715/32	146 5¾	54 21/8	17 43/64	20 25/32	20 25/32	104 43/32	49,2 1,9370	19 0,748	M14 ½	32395	20235	<b>UC209</b> UC209-26 UC209-27 UC209-28	<b>LP209</b>	2,14 2,24 2,20 2,14	
<b>UCLP210</b> UCLP210-29 UCLP210-30 UCLP210-31 UCLP210-32	50 113/16 17/8 115/16 2	55,56 23/16	206 81/8	159 6¾	60 23/8	20 25/32	23 29/32	21 53/64	112 413/32	51,6 2,0315	19 0,748	M16 5/8	33345	22135	<b>UC210</b> UC210-29 UC210-30 UC210-31 UC210-32	<b>LP210</b>	2,66 2,78 2,73 2,68 2,64	
<b>UCLP211</b> UCLP211-32 UCLP211-33 UCLP211-34 UCLP211-35	55 2 21/16 21/8 23/16	61,91 27/16	219 85/8	171 647/64	60 23/8	20 25/32	23 29/32	23 29/32	124 47/8	55,6 2,1890	22,2 0,874	M16 5/8	41230	27930	<b>UC211</b> UC211-32 UC211-33 UC211-34 UC211-35	<b>LP211</b>	3,31 3,46 3,40 3,35 3,29	
<b>UCLP212</b> UCLP212-36 UCLP212-37 UCLP212-38 UCLP212-39	60 2¼ 25/16 23/8 27/16	68,26 211/16	241 9½	184 7¼	70 234	20 25/32	23 29/32	25 63/64	136 523/64	65,1 2,5630	25,4 1,000	M16 5/8	49780	34390	<b>UC212</b> UC212-36 UC212-37 UC212-38 UC212-39	<b>LP212</b>	4,90 5,03 4,95 4,88 4,81	

UCP3 Serie pesante - Heavy duty

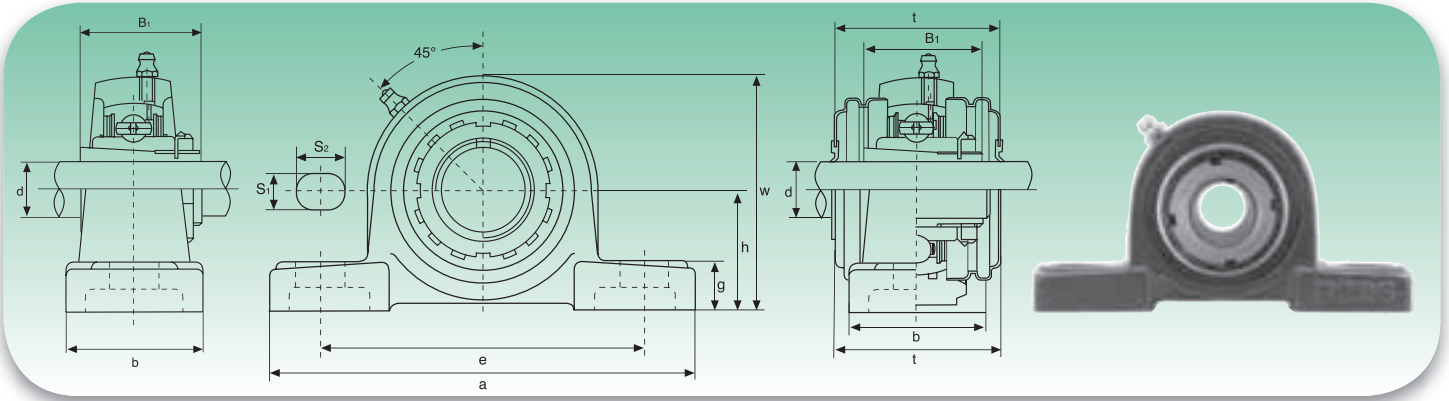


Tipo Type	Dimensioni - Dimensions											Bull. fiss. Bolt Size	Coefficients di carico (N) Load ratings (N)		Cuscinetto Bearing	Supporto Housing	Peso Weight
	d	h	a	e	b	S <sub>1</sub>	S <sub>2</sub>	g	w	B <sub>1</sub>	n		Dinamico C Dynamic C	Statico C <sub>0</sub> Static C <sub>0</sub>			
	mm/inch												mm/inch				
<b>UCP305</b> UCP305-13 UCP305-14 UCP305-15 UCP305-16	<b>25</b> 13/16 7/8 15/16 1	45	175	132	45	17	20	15	85	38	15	M14	20140	10355	<b>UC305</b> UC305-13 UC305-14 UC305-15 UC305-16	<b>P305</b>	1,4
<b>UCP306</b> UCP306-17 UCP306-18 UCP306-19	<b>30</b> 11/16 11/8 13/16	50	180	140	50	17	20	18	95	43	17	M14	25365	14250	<b>UC306</b> UC306-17 UC306-18 UC306-19	<b>P306</b>	1,8
<b>UCP307</b> UCP307-20 UCP307-21 UCP307-22 UCP307-23	<b>35</b> 1 1/4 15/16 13/8 17/16	56	210	160	56	17	25	20	106	48	19	M14	31730	18335	<b>UC307</b> UC307-20 UC307-21 UC307-22 UC307-23	<b>P307</b>	2,8
<b>UCP308</b> UCP308-24 UCP308-25	<b>40</b> 1 1/2 19/16	60	220	170	60	17	27	22	116	52	19	M14	38665	22800	<b>UC308</b> UC308-24 UC308-25	<b>P308</b>	3,0
<b>UCP309</b> UCP309-26 UCP309-27 UCP309-28	<b>45</b> 15/8 111/16 1 3/4	67	245	190	67	20	30	24	129	57	22	M16	46455	28025	<b>UC309</b> UC309-26 UC309-27 UC309-28	<b>P309</b>	4,1
<b>UCP310</b> UCP310-29 UCP310-30 UCP310-31	<b>50</b> 113/16 17/8 115/16	75	275	212	75	20	35	27	143	61	22	M16	58900	36385	<b>UC310</b> UC310-29 UC310-30 UC310-31	<b>P310</b>	5,8
<b>UCP311</b> UCP311-32 UCP311-33 UCP311-34 UCP311-35	<b>55</b> 2 21/16 21/8 23/16	80	310	236	80	20	38	30	154	66	25	M16	68020	42750	<b>UC311</b> UC311-32 UC311-33 UC311-34 UC311-35	<b>P311</b>	7,4
<b>UCP312</b> UCP312-36 UCP312-37 UCP312-38 UCP312-39	<b>60</b> 2 1/4 25/16 23/8 27/16	85	330	250	85	25	38	32	165	71	26	M20	77805	49590	<b>UC312</b> UC312-36 UC312-37 UC312-38 UC312-39	<b>P312</b>	9,4
<b>UCP313</b> UCP313-40 UCP313-41	<b>65</b> 2 1/2 29/16	90	340	260	90	25	38	33	176	75	30	M20	88065	56905	<b>UC313</b> UC313-40 UC313-41	<b>P313</b>	10
<b>UCP314</b> UCP314-42 UCP314-43 UCP314-44	<b>70</b> 25/8 211/16 2 3/4	95	360	280	90	27	40	35	187	78	33	M22	98800	64790	<b>UC314</b> UC314-42 UC314-43 UC314-44	<b>P314</b>	12
<b>UCP315</b> UCP315-45 UCP315-46 UCP315-47 UCP315-48	<b>75</b> 216/8 27/8 215/16 3	100	380	290	100	27	40	35	198	82	32	M22	107350	73340	<b>UC315</b> UC315-45 UC315-46 UC315-47 UC315-48	<b>P315</b>	14
<b>UCP316</b> UCP316-49 UCP316-50 UCP316-51	<b>80</b> 31/16 31/8 33/16	106	400	300	110	27	40	40	210	86	34	M22	111850	82365	<b>UC316</b> UC316-49 UC316-50 UC316-51	<b>P316</b>	18
<b>UCP317</b> UCP317-52 UCP317-53 UCP317-55	<b>85</b> 3 3/4 35/16 37/16	112	420	320	110	33	45	40	220	96	40	M27	126350	91960	<b>UC317</b> UC317-52 UC317-53 UC317-55	<b>P317</b>	20
<b>UCP318</b> UCP318-55 UCP318-56	<b>90</b> 37/16 3 1/2	118	430	330	110	33	45	45	235	96	40	M27	135850	101650	<b>UC318</b> UC318-55 UC318-56	<b>P318</b>	24
<b>UCP319</b> UCP319-58 UCP319-59 UCP319-60	<b>95</b> 35/8 311/16 3 3/4	125	470	360	120	36	50	45	250	103	41	M30	145350	113050	<b>UC319</b> UC319-58 UC319-59 UC319-60	<b>P319</b>	29
<b>UCP320</b> UCP320-64	<b>100</b> 4	140	490	380	120	36	50	50	275	108	42	M30	164350	133950	<b>UC320</b> UC320-64	<b>P320</b>	35
<b>UCP321</b>	<b>105</b>	140	490	380	120	36	50	56	283	112	44	M33	174800	145350	<b>UC321</b>	<b>P321</b>	35
<b>UCP322</b>	<b>110</b>	150	520	400	140	40	55	61	303	117	46	M33	194750	171000	<b>UC322</b>	<b>P322</b>	45
<b>UCP324</b>	<b>120</b>	160	570	450	140	40	55	71	323	126	51	M33	196650	175750	<b>UC324</b>	<b>P324</b>	55
<b>UCP326</b>	<b>130</b>	180	600	480	140	40	55	81	363	135	54	M33	217550	203300	<b>UC326</b>	<b>P326</b>	72
<b>UCP328</b>	<b>140</b>	200	620	500	140	40	55	81	403	145	59	M33	240350	233700	<b>UC328</b>	<b>P328</b>	89



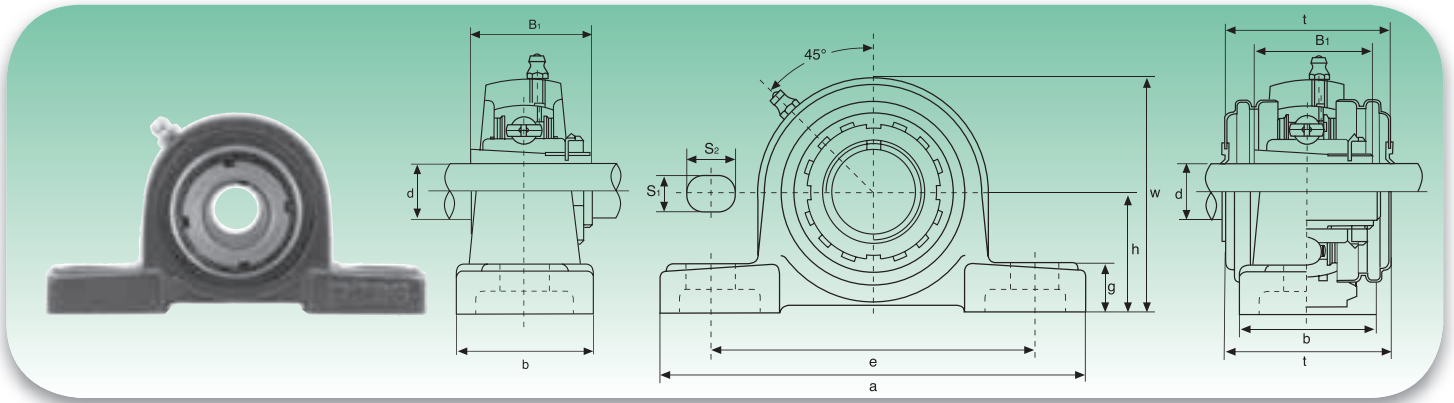
Tipo Type	Dimensioni - Dimensions											Bull. fiss. Bolt Size	Coefficienti di carico (N) Load ratings (N)		Cuscinetto Bearing	Supporto Housing	Peso Weight
	d	h	a	e	b	S <sub>1</sub>	S <sub>2</sub>	g	w	B <sub>1</sub>	n		Dinamico C Dynamic C	Statico C <sub>0</sub> Static C <sub>0</sub>			
	mm/inch												mm/inch				
<b>UCPX05</b> UCPX05-13 UCPX05-14 UCPX05-15 UCPX05-16	<b>25</b> 13/16 7/8 15/16 1	44,4 1 3/4	159 6 1/4	119 4 11/16	51 2	17 43/64	20 25/32	18 23/32	85 3 11/32	38,1 1,5000	15,9 0,626	M14 1/2	18525	10735	<b>UCX05</b> UCX05-13 UCX05-14 UCX05-15 UCX05-16	<b>PX05</b>	1,5
<b>UCPX06</b> UCPX06-17 UCPX06-18 UCPX06-19 UCPX06-20	<b>30</b> 1 1/16 1 1/8 1 3/16 1 1/4	47,6 1 7/8	175 6 7/8	127 5	57 2 1/4	17 43/64	20 25/32	20 25/32	93 3 31/32	42,9 1,6890	17,5 0,689	M14 1/2	24415	14630	<b>UCX06</b> UCX06-17 UCX06-18 UCX06-19 UCX06-20	<b>PX06</b>	2,0
<b>UCPX07</b> UCPX07-21 UCPX07-22 UCPX07-23	<b>35</b> 1 5/16 1 3/8 1 7/16	54,0 2 1/8	203 8	144 5 21/32	57 2 1/4	17 43/64	20 25/32	21 13/16	105 4 1/8	49,2 1,9370	19 0,748	M14 1/2	27645	16910	<b>UCX07</b> UCX07-21 UCX07-22 UCX07-23	<b>PX07</b>	2,6
<b>UCPX08</b> UCPX08-24 UCPX08-25	<b>40</b> 1 1/2 1 9/16	58,7 2 5/16	222 8 3/4	156 6 5/32	67 2 5/8	20 25/32	23 29/32	26 1 1/32	111 4 3/8	49,2 1,9370	19 0,748	M16 5/8	32395	20235	<b>UCX08</b> UCX08-24 UCX08-25	<b>PX08</b>	3,3
<b>UCPX09</b> UCPX09-26 UCPX09-27 UCPX09-28 UCPX09-29	<b>45</b> 1 5/8 1 11/16 1 3/4 1 13/16	58,7 2 5/16	222 8 3/4	156 6 5/32	67 2 5/8	20 25/32	23 29/32	26 1 1/32	116 4 9/16	51,6 2,0315	19 0,748	M16 5/8	33345	22135	<b>UCX09</b> UCX09-26 UCX09-27 UCX09-28 UCX09-29	<b>PX09</b>	3,3
<b>UCPX10</b> UCPX10-30 UCPX10-31 UCPX10-32	<b>50</b> 1 7/8 1 15/16 2	63,5 2 1/2	241 9 1/2	171 6 47/64	73 2 7/8	20 25/32	23 29/32	27 1 1/16	126 4 31/32	55,6 2,1890	22,2 0,874	M16 5/8	41230	27930	<b>UCX10</b> UCX10-30 UCX10-31 UCX10-32	<b>PX10</b>	4,3
<b>UCPX11</b> UCPX11-33 UCPX11-34 UCPX11-35 UCPX11-36 UCPX11-37	<b>55</b> 2 1/16 2 1/8 2 3/16 2 1/4 2 5/16	69,8 2 3/4	260 10 1/4	184 7 1/4	79 3 1/8	25 31/32	28 13/32	30 1 3/16	137 5 13/32	65,1 2,5630	25,4 1,000	M20 3/4	49780	34390	<b>UCX11</b> UCX11-33 UCX11-34 UCX11-35 UCX11-36 UCX11-37	<b>PX11</b>	5,7
<b>UCPX12</b> UCPX12-38 UCPX12-39	<b>60</b> 2 3/8 2 7/16	76,2 3	286 11 1/4	203 8	83 3 9/32	25 31/32	28 13/32	33 1 5/16	151 5 15/16	65,1 2,5630	25,4 1,000	M20 3/4	54340	38095	<b>UCX12</b> UCX12-38 UCX12-39	<b>PX12</b>	7,3
<b>UCPX13</b> UCPX13-40 UCPX13-41	<b>65</b> 2 1/2 2 9/16	76,2 3	286 11 1/4	203 8	83 3 9/32	25 63/64	28 13/32	33 1 5/16	154 6 1/16	74,6 2,9370	30,2 1,189	M20 3/4	59090	41895	<b>UCX13</b> UCX13-40 UCX13-41	<b>PX13</b>	7,6
<b>UCPX14</b> UCPX14-42 UCPX14-43 UCPX14-44	<b>70</b> 2 5/8 2 11/16 2 3/4	88,9 3 1/2	330 13	229 9 1/32	89 3 1/2	27 1 1/16	30 1 3/16	35 1 3/8	170 6 11/16	77,8 3,0630	33,3 1,311	M22 7/8	64030	45885	<b>UCX14</b> UCX14-42 UCX14-43 UCX14-44	<b>PX14</b>	9,9
<b>UCPX15</b> UCPX15-45 UCPX15-46 UCPX15-47 UCPX15-48	<b>75</b> 2 13/16 2 7/8 2 15/16 3	88,9 3 1/2	330 13	229 9 1/32	89 3 1/2	27 1 1/16	30 1 3/16	35 1 3/8	175 6 7/8	82,6 3,2520	33,3 1,311	M22 7/8	69065	50350	<b>UCX15</b> UCX15-45 UCX15-46 UCX15-47 UCX15-48	<b>PX15</b>	11
<b>UCPX16</b> UCPX16-49 UCPX16-50 UCPX16-51 UCPX16-52	<b>80</b> 3 1/16 3 1/8 3 3/16 3 3/4	101,6 4	381 15	283 1 15/32	102 4 1/32	27 1 1/16	30 1 3/16	40 1 9/16	194 7 5/8	85,7 3,3740	34,1 1,343	M22 7/8	79800	58805	<b>UCX16</b> UCX16-49 UCX16-50 UCX16-51 UCX16-52	<b>PX16</b>	15
<b>UCPX17</b> UCPX17-53 UCPX17-55	<b>85</b> 3 5/16 3 7/16	101,6 4	381 15	283 1 15/32	102 4 1/32	27 1 1/16	30 1 3/16	40 1 9/16	200 7 7/8	96 3,7795	39,7 1,563	M22 7/8	91295	67925	<b>UCX17</b> UCX17-53 UCX17-55	<b>PX17</b>	16
<b>UCPX18</b> UCPX18-56 UCPX18-57	<b>90</b> 3 7/16 3 3/2	101,6 4	381 15	283 1 15/32	111 4 3/8	27 1 1/16	30 1 3/16	40 1 9/16	206 8 1/8	104 4,0945	42,9 1,689	M22 7/8	103550	77805	<b>UCX18</b> UCX18-56 UCX18-57	<b>PX18</b>	17
<b>UCPX20</b> UCPX20-58 UCPX20-59 UCPX20-60 UCPX20-61	<b>100</b> 3 13/16 3 7/8 3 15/16 4	127 5	432 17	337 1 39/32	121 4 3/4	33 15/16	36 1 11/32	45 1 25/32	244 9 19/32	117,5 4,6260	49,2 1,937	M27 1	126350	99750	<b>UCX20</b> UCX20-58 UCX20-59 UCX20-60 UCX20-61	<b>PX20</b>	30

UKP2 Serie normale - Standard duty



Tipo Type	Dimensioni - Dimensions											Bull. fiss. Bolt Size	Coefficients di carico (N) Load ratings (N)		Cuscinetto Bearing	Supporto Housing	Peso Weight	
	d	h	a	e	b	S <sub>1</sub>	S <sub>2</sub>	g	w	t	B <sub>1</sub>		Dinamico C Dynamic C	Statico C <sub>0</sub> Static C <sub>0</sub>				kg
	mm/inch												mm/inch					
<b>UKP205+H2305</b>	<b>20</b>	36,5	140	105	38	13	19	15	71	48	35	M10	13300	7457	<b>UK205+H2305</b>	<b>P205</b>	0,86	
UKP205+HE2305	¾	17/16	5½	41/8	1½	½	¾	19/32	225/32	157/64	1,378	3/8			UK205+HE2305			
<b>UKP206+H2306</b>	<b>25</b>	42,9	165	121	48	17	20	17	84	53	38	M14	18525	10735	<b>UK206+H2306</b>	<b>P206</b>	1,28	
UKP206+HS2306	7/8	111/16	6½	4¾	17/8	43/64	25/32	43/64	35/16	25/64	1,496	½			UK206+HS2306			
UKP206+HE2306	1														UK206+HE2306			
<b>UKP207+H2307</b>	<b>30</b>	47,6	167	127	48	17	20	18	93	59,5	43	M14	24415	14630	<b>UK207+H2307</b>	<b>P207</b>	1,67	
UKP207+HS2307	11/8	17/8	69/16	5	17/8	43/64	25/32	45/64	321/32	211/32	1,693	½			UK207+HS2307			
<b>UKP208+H2308</b>	<b>35</b>	49,2	184	137	54	17	20	18	100	69	46	M14	27645	16910	<b>UK208+H2308</b>	<b>P208</b>	1,99	
UKP208+HE2308	1¼	115/16	7¼	513/32	21/8	43/64	25/32	45/64	315/16	223/32	1,811	½			UK208+HE2308			
UKP208+HS2308	13/8														UK208+HS2308			
<b>UKP209+H2309</b>	<b>40</b>	54	190	146	54	17	20	20	106	69	50	M14	32395	20235	<b>UK209+H2309</b>	<b>P209</b>	1,29	
UKP209+HA2309	17/16	21/8	715/32	5¾	21/8	43/64	25/32	25/32	411/64	223/32	1,969	½			UK209+HA2309			
UKP209+HE2309	1½														UK209+HE2309			
UKP209+HS2309	15/8														UK209+HS2309			
<b>UKP210+H2310</b>	<b>45</b>												57,2	206	159	60	20	23
UKP210+HS2310	15/8	2¼	81/8	6¾	23/8	25/32	29/32	53/64	429/64	215/16	2,165	5/8	UK210+HS2310					
UKP210+HA2310	111/16												UK210+HA2310					
UKP210+HE2310	1¾												UK210+HE2310					
<b>UKP211+H2311</b>	<b>50</b>												63,5	219	171	60	20	23
UKP211+HS2311	17/8	2½	85/8	647/64	23/8	25/32	29/32	29/32	459/64	3	2,323	5/8	UK211+HS2311					
UKP211+HA2311	115/16												UK211+HA2311					
UKP211+HE2311	2												UK211+HE2311					
<b>UKP212+H2312</b>	<b>55</b>												69,8	241	184	70	20	23
UKP212+HS2312	21/8	2¾	9½	7¼	2¾	25/32	29/32	63/64	57/16	3½	2,441	5/8	UK212+HS2312					
<b>UKP213+H2313</b>	<b>60</b>	76,2	265	203	70	25	28	27	150	89	65	M20	54340	38095	<b>UK213+H2313</b>	<b>P213</b>	5,06	
UKP213+HA2313	23/16	3	107/16	8	2¾	63/64	13/32	11/16	529/32	3½	2,559	¾			UK213+HA2313			
UKP213+HE2313	2¼														UK213+HE2313			
UKP213+HS2313	23/8														UK213+HS2313			
<b>UKP215+H2315</b>	<b>65</b>												82,6	275	217	74	25	28
UKP215+HA2315	27/16	3¼	1053/64	835/64	229/32	63/64	13/32	13/32	63/8	-	2,874	¾	UK215+HA2315					
UKP215+HE2315	2½	UK215+HE2315																
<b>UKP216+H2316</b>	<b>70</b>	88,9	292	232	78	25	28	30	174	-	78	M20	69065	50350	<b>UK216+H2316</b>	<b>P216</b>	8,36	
UKP216+HA2316	211/16	3½	11½	91/8	31/16	63/64	13/32	13/16	627/32	-	3,071	¾			UK216+HA2316			
UKP216+HE2316	2¾	UK216+HE2316																
<b>UKP217+H2317</b>	<b>75</b>	95,2	310	247	83	25	28	32	185	-	82	M20	79800	58805	<b>UK217+H2317</b>	<b>P217</b>	10,23	
UKP217+HA2317	215/16	3¾	1213/64	923/32	317/64	63/64	13/32	1¼	79/32	-	3,228	¾			UK217+HA2317			
UKP217+HE2317	3	UK217+HE2317																
<b>UKP218+H2318</b>	<b>80</b>	101,6	327	262	88	27	30	33	198	-	86	M22	91295	67925	<b>UK218+H2318</b>	<b>P218</b>	12,34	
UKP218+HA2318	33/16	4	127/8	105/16	315/32	11/16	13/16	119/64	751/64	-	3,386	7/8			UK218+HA2318			

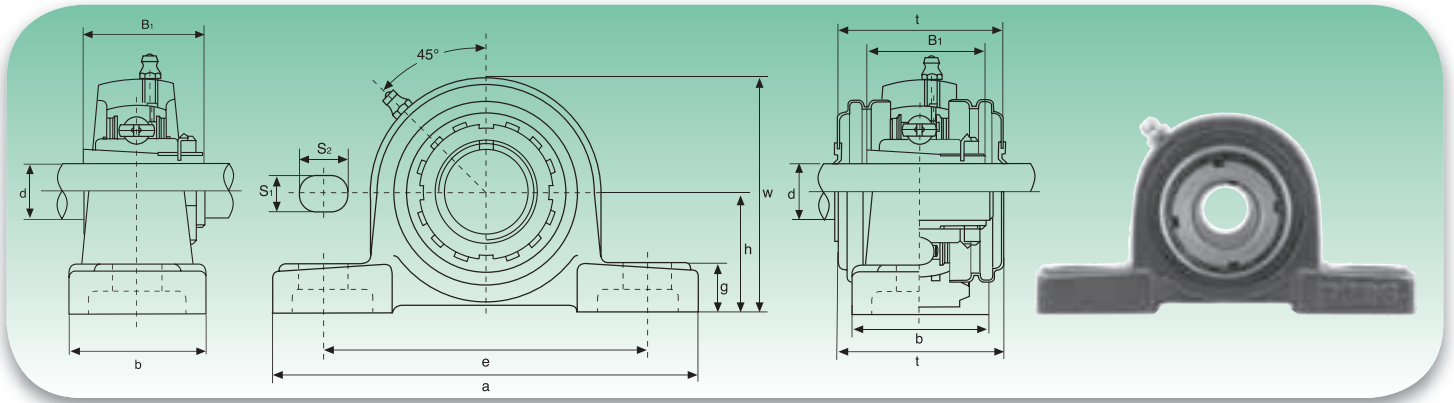
Bussolle HA; HE; HS con filettatura in pollici  
Inch dimension adapter sleeves HA; HE; HS

**UKP3 Serie pesante - Heavy duty**


Tipo Type	Dimensioni - Dimensions										Bull. fiss. Bolt Size	Coefficienti di carico (N) Load ratings (N)		Cuscinetto Bearing	Supporto Housing	Peso Weight	
	d	h	a	e	b	S <sub>1</sub>	S <sub>2</sub>	g	w	B <sub>1</sub>		Dinamico C Dynamic C <sub>d</sub>	Statico C <sub>s</sub> Static C <sub>s</sub>				kg
	mm/inch											mm/inch					
<b>UKP305+H2305</b> UCP305+HE2305	20 ¾	45 149/64	175 67/8	132 53/16	45 1¾	17 43/64	20 19/32	15 25/32	85 311/32	35 1,378	M14 ½	20140	10355	<b>UK305+H2305</b> UK305+HE2305	<b>P305</b>	1,7	
<b>UKP306+H2306</b> UKP306+HS2306 UKP306+HE2306	25 7/8 1	50 131/32	180 73/32	140 5½	50 131/32	17 43/64	20 25/32	18 23/32	95 3¾	38 1,496	M14 ½	25365	14250	<b>UK306+H2306</b> UK306+HS2306 UK306+HE2306	<b>P306</b>	2,3	
<b>UKP307+H2307</b> UKP307+HS2307	30 11/8	56 213/64	210 89/32	160 65/16	56 27/32	17 43/64	25 63/64	20 25/32	106 43/16	43 1,693	M14 ½	31730	18335	<b>UK307+H2307</b> UK307+HS2307	<b>P307</b>	3,0	
<b>UKP308+H2308</b> UKP308+HE2308 UKP308+HS2308	35 1¼ 13/8	60 223/64	220 821/32	170 611/16	60 23/8	17 43/64	27 11/16	22 7/8	116 49/16	46 1,811	M16 5/8	38665	22800	<b>UK308+H2308</b> UK308+HE2308 UK308+HS2308	<b>P308</b>	3,8	
<b>UKP309+H2309</b> UKP309+HA2309 UKP309+HE2309 UKP309+HS2309	40 17/16 1½ 15/8	67 141/64	245 921/32	190 715/32	67 25/8	20 25/32	30 13/16	24 15/16	129 53/32	50 1,969	M16 5/8	46455	28025	<b>UK309+H2309</b> UK309+HA2309 UK309+HE2309 UK309+HS2309	<b>P309</b>	5,0	
<b>UKP310+H2310</b> UKP310+HS2310 UKP310+HA2310 UKP310+HE2310	45 15/8 111/16 1¾	75 261/64	275 1013/16	212 811/32	75 215/16	20 25/32	35 13/8	27 11/16	143 55/8	55 2,165	M16 5/8	58900	36385	<b>UK310+H2310</b> UK310+HS2310 UK310+HA2310 UK310+HE2310	<b>P310</b>	6,7	
<b>UKP311+H2311</b> UKP311+HS2311 UKP311+HA2311 UKP311+HE2311	50 17/8 115/16 2	80 35/32	310 127/32	236 99/32	80 35/32	20 25/32	38 1½	30 13/16	154 61/16	59 2,323	M16 5/8	68020	42750	<b>UK311+H2311</b> UK311+HS2311 UK311+HA2311 UK311+HE2311	<b>P311</b>	8,1	
<b>UKP312+H2312</b> UKP312+HS2312	55 21/8	85 311/32	330 12	250 927/32	85 311/32	25 63/64	38 1½	32 1¼	165 6½	62 2,441	M20 ¾	77805	49590	<b>UK312+H2312</b> UK312+HS2312	<b>P312</b>	9,4	
<b>UKP313+H2313</b> UKP313+HA2313 UKP313+HE2313 UKP313+HS2313	60 23/16 2¼ 23/8	90 335/64	340 133/8	260 10¼	90 317/32	25 63/64	38 1½	33 15/16	176 615/16	65 2,559	M20 ¾	88065	56905	<b>UK313+H2313</b> UK313+HA2313 UK313+HE2313 UK313+HS2313	<b>P313</b>	10,8	
<b>UKP315+H2315</b> UKP315+HA2315 UKP315+HE2315	65 27/16 2½	100 315/16	380 1431/32	290 1113/32	100 315/16	27 11/16	40 19/18	35 13/8	198 725/32	73 2,874	M22 7/8	107350	73340	<b>UK315+H2315</b> UK315+HA2315 UK315+HE2315	<b>P315</b>	14,9	
<b>UKP316+H2316</b> UKP316+HA2316 UKP316+HE2316	70 211/16 2¾	106 411/64	400 15¾	300 1113/16	110 411/32	27 11/16	40 19/16	40 19/16	210 89/32	78 3,071	M22 7/8	116850	82365	<b>UK316+H2316</b> UK316+HA2316 UK316+HE2316	<b>P316</b>	18,6	
<b>UKP317+H2317</b> UKP317+HA2317 UKP317+HS2317	75 215/16 3	112 411/64	420 1617/32	320 1219/32	110 411/32	33 15/16	45 125/32	40 19/16	220 821/32	82 3,228	M27 1	126350	91960	<b>UK317+H2317</b> UK317+HA2317 UK317+HS2317	<b>P317</b>	20,2	
<b>UKP318+H2318</b> UKP318+HA2318	80 33/16	118 441/64	430 1615/16	330 13	110 411/32	33 15/16	45 125/32	45 125/32	235 9¼	86 3,386	M27 1	135850	101650	<b>UK318+H2318</b> UK318+HA2318	<b>P318</b>	22,8	
<b>UKP319+H2319</b> UKP319+HA2319	85 35/16	125 459/64	470 18½	360 143/16	120 423/32	36 113/32	50 131/32	45 125/32	250 927/32	90 3,543	M30 11/8	145350	113050	<b>UK319+H2319</b> UK319+HA2319	<b>P319</b>	29,3	
<b>UKP320+H2320</b> UKP320+HA2320	90 37/16	140 533/64	490 199/32	380 1431/32	120 423/32	36 113/32	50 131/32	50 131/32	275 1053/64	97 3,814	M30 11/8	164350	133950	<b>UK320+H2320</b> UK320+HA2320	<b>P320</b>	34,8	
<b>UKP322+H2322</b> UKP322+HA2322	100 315/16	150 529/32	520 2015/32	400 15¾	140 5½	40 19/16	55 25/32	55 25/32	300 1113/16	105 4,134	M33 1¼	194750	171000	<b>UK322+H2322</b> UK322+HA2322	<b>P322</b>	43,9	
<b>UKP324+H2324</b> UKP324+HA2324	110 43/16	160 619/64	570 227/16	450 1723/32	140 5½	40 19/16	55 25/32	65 121/32	320 1219/32	112 4,410	M33 1¼	196650	175750	<b>UK324+H2324</b> UK324+HA2324	<b>P324</b>	55,7	
<b>UKP326+H2326</b> UKP326+HA2326	115 47/16	180 73/32	600 235/8	480 1829/32	140 5½	40 19/16	55 25/32	75 261/64	335 1331/32	121 4,764	M33 1¼	217550	203300	<b>UK326+H2326</b> UK326+HA2326	<b>P326</b>	71,9	
<b>UKP328+H2328</b> UKP328+HA2328	125 415/16	200 77/8	620 2413/32	500 1911/16	140 5½	40 19/16	55 25/32	75 261/64	390 1532/64	131 5,158	M33 1¼	240350	233700	<b>UK328+H2328</b> UK328+HA2328	<b>P328</b>	92,5	

Bussole HA; HE; HS con filettatura in pollici  
Inch dimension adapter sleeves HA; HE; HS

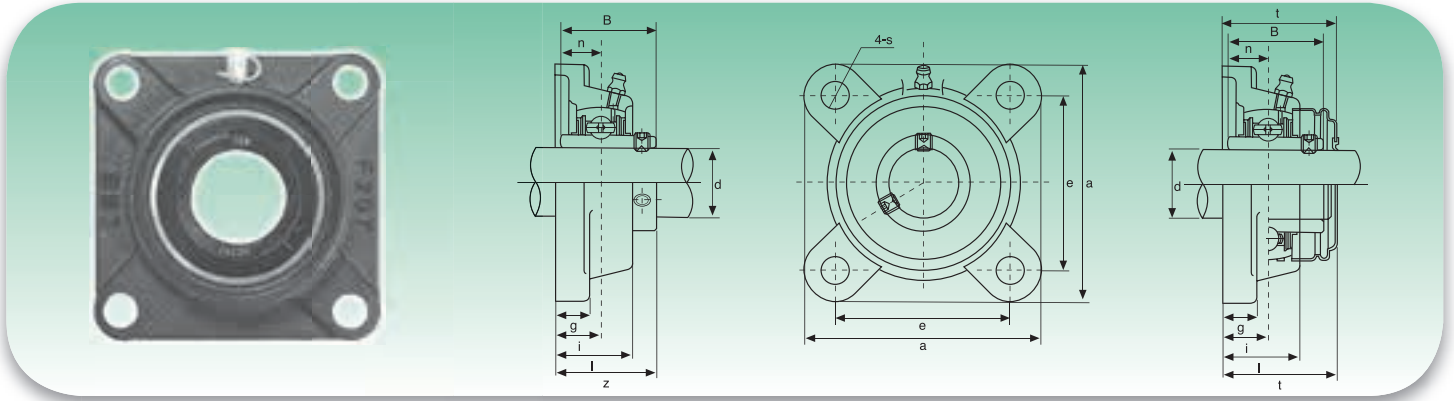
UKPX Serie media - Medium duty



Tipo Type	Dimensioni - Dimensions										Bull. fiss. Bolt Size	Coefficients di carico (N) Load ratings (N)		Cuscinetto Bearing	Supporto Housing	Peso Weight
	d	h	a	e	b	S <sub>1</sub>	S <sub>2</sub>	g	w	B <sub>1</sub>		Dinamico C Dynamic C	Statico C <sub>0</sub> Static C <sub>0</sub>			
	mm/inch											mm/inch				
<b>UKPX05+H2305</b>	<b>20</b>	44,4	159	119	51	17	20	18	85	35	M14	18525	10735	<b>UKX05+H2305</b>	<b>PX05</b>	1,5
UKPX05+HE2305	¾	1¾	6¼	411/16	2	43/64	25/32	311/32	1,378	½	½					
<b>UKPX06+H2306</b>	<b>25</b>	47,6	175	127	57	17	20	20	93	38	M14	24415	14630	<b>UKX06+H2306</b>	<b>PX06</b>	2,1
UKPX06+HS2306	7/8	17/8	67/8	5	2¼	43/64	25/32	25/32	321/32	1,496	½					
UKPX06+HE2306	1															
<b>UKPX07+H2307</b>	<b>30</b>	54,0	203	144	57	17	20	21	105	43	M14	27645	16910	<b>UKX07+H2307</b>	<b>PX07</b>	2,7
UKPX07+HS2307	11/8	21/8	8	521/32	2¼	43/64	25/32	13/16	41/8	1,693	½					
<b>UKPX08+H2308</b>	<b>35</b>	58,7	222	156	67	20	23	26	111	46	M16	32395	20235	<b>UKX08+H2308</b>	<b>PX08</b>	3,5
UKPX08+HE2308	1¼	25/16	8¾	65/32	25/8	25/32	29/32	11/32	43/8	1,811	5/8					
UKPX08+HS2308	13/8															
<b>UKPX09+H2309</b>	<b>40</b>	58,7	222	156	67	20	23	26	116	50	M16	33345	22135	<b>UKX09+H2309</b>	<b>PX09</b>	3,7
UKPX09+HA2309	17/16	25/16	8¾	65/32	25/8	25/32	29/32	11/32	49/18	1,969	5/8					
UKPX09+HE2309	1½															
UKPX09+HS2309	15/8															
<b>UKPX10+H2310</b>	<b>45</b>	63,5	241	171	73	20	23	27	126	55	M16	41230	27930	<b>UKX10+H2310</b>	<b>PX10</b>	4,6
UKPX10+HS2310	15/8	2½	9½	647/64	27/8	25/32	29/32	11/16	431/32	2,165	5/8					
UKPX10+HA2310	111/16															
UKPX10+HE2310	1¾															
<b>UKPX11+H2311</b>	<b>50</b>	69,8	260	184	79	25	28	30	137	59	M20	49780	34390	<b>UKX11+H2311</b>	<b>PX11</b>	6,2
UKPX11+HS2311	17/8	2¾	10¼	7¼	31/8	31/32	13/32	13/16	513/32	2,323	¾					
UKPX11+HA2311	115/16															
UKPX11+HE2311	2															
<b>UKPX12+H2312</b>	<b>55</b>	76,2	286	203	83	25	28	33	151	62	M20	54340	38095	<b>UKX12+H2312</b>	<b>PX12</b>	7,5
UKPX12+HS2312	21/8	3	11¼	8	39/32	63/64	13/32	15/16	2,441	¾	¾					
<b>UKPX13+H2313</b>	<b>60</b>	76,2	286	203	83	25	28	33	154	65	M20	59090	41895	<b>UKX13+H2313</b>	<b>PX13</b>	7,8
UKPX13+HA2313	23/16	3	11¼	8	39/32	63/64	13/32	15/16	61/16	2,559	¾					
UKPX13+HE2313	2¼															
UKPX13+HS2313	23/8															
<b>UKPX15+H2315</b>	<b>65</b>	88,9	330	229	89	27	30	35	175	73	M22	69065	50350	<b>UKX15+H2315</b>	<b>PX15</b>	10,5
UKPX15+HA2315	27/16	3½	13	91/32	3½	11/16	13/16	13/8	67/8	2,874	7/8					
UKPX15+HS2315	2½															
<b>UKPX16+H2316</b>	<b>70</b>	101,6	381	283	102	27	30	40	194	78	M22	79800	58805	<b>UKX16+H2316</b>	<b>PX16</b>	15,4
UKPX16+HA2316	211/16	4	15	115/32	41/32	11/16	13/16	19/16	75/8	3,071	7/8					
UKPX16+HS2316	2¾															
<b>UKPX17+H2317</b>	<b>75</b>	101,6	381	283	102	27	30	40	200	82	M22	91295	67925	<b>UKX17+H2317</b>	<b>PX17</b>	15,8
UKPX17+HA2317	215/16	4	15	115/32	41/32	11/16	13/16	19/16	77/8	3,228	7/8					
UKPX17+HE2317	3															
<b>UKPX18+H2318</b>	<b>80</b>	101,6	381	283	111	27	30	40	206	86	M22	103550	77805	<b>UKX18+H2318</b>	<b>PX18</b>	18,6
UKPX18+HA2318	33/16	4	15	115/32	43/8	11/16	13/16	19/16	81/8	3,386	7/8					
UKPX20+H2320	3½															
<b>UKPX20+H2320</b>	<b>90</b>	127	432	337	121	33	36	45	244	97	M27	126350	99750	<b>UKX20+H2320</b>	<b>PX20</b>	29,3
UKPX20+HA2320	3½	5	17	139/32	4¾	15/16	113/32	125/32	95/8	3,814	11/16					

Bussole HA; HE; HS con filettatura in pollici  
Inch dimension adapter sleeves HA; HE; HS

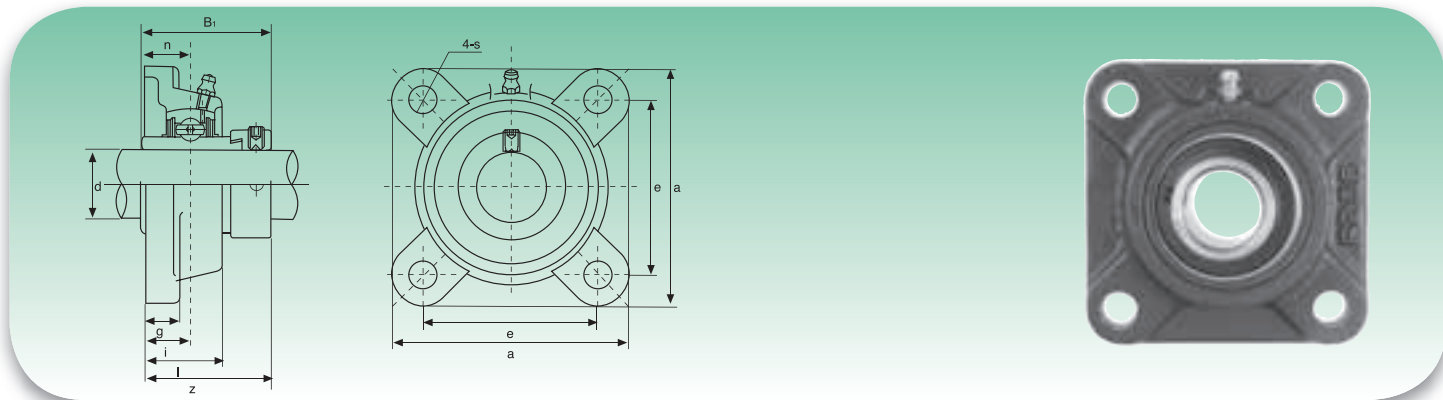




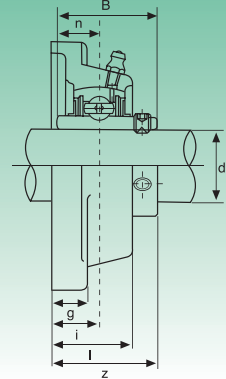
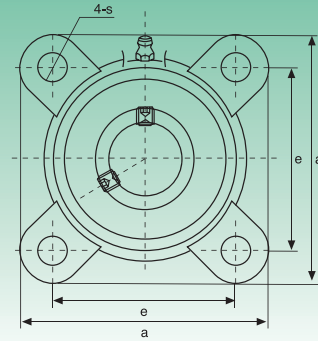
Tipo Type	Dimensioni - Dimensions											Bull. fiss. Bolt Size	Coefficients di carico (N) Load ratings (N)		Cuscinetto Bearing	Supporto Housing	Peso Weight	
	d	a	e	i	g	l	s	z	t	B	n		Dinamico C Dynamic C	Statico C <sub>0</sub> Static C <sub>0</sub>				kg
	mm/inch												mm/inch					
UCF201	12	86	64	15	12	25,5	12	33,3	37,5	31	12,7	M10	12160	6318	UC201	F204	0,60	
UCF201-8	½	33/8	233/64	19/32	15/32	1	15/32	15/16	131/64	1,2205	0,500	3/8			UC201-8		0,59	
UCF202	15	86	64	15	12	25,5	12	33,3	37,5	31	12,7	M10	12160	6318	UC202	F204	0,59	
UCF202-9	9/16	33/8	233/64	19/32	15/32	1	15/32	15/16	131/64	1,2205	0,500	3/8			UC202-9		0,59	
UCF202-10	5/8														UC202-10		0,59	
UCF203	17	86	64	15	12	25,5	12	33,3	37,5	31	12,7	M10	12160	6318	UC203	F204	0,58	
UCF203-11	11/16	33/8	233/64	19/32	15/32	1	15/32	15/16	131/64	1,2205	0,500	3/8			UC203-11		0,57	
UCF204	20	86	64	15	12	25,5	12	33,3	37,5	31	12,7	M10	12160	6318	UC204	F204	0,56	
UCF204-12	¾	33/8	233/64	19/32	15/32	1	15/32	15/16	131/64	1,2205	0,500	3/8			UC204-12		0,56	
UCF205	25	95	70	16	14	27	12	35,8	40	34,1	14,3	M10			UC205	F205	0,80	
UCF205-13	13/16														UC205-13		0,84	
UCF205-14	7/8	3¾	2¾	5/8	35/64	11/16	15/32	113/32	19/16	1,3425	0,563	3/8	13300	7457	UC205-14		0,83	
UCF205-15	15/16														UC205-15		0,81	
UCF205-16	1														UC205-16		0,80	
UCF206	30	108	83	18	14	31	12	40,2	44,5	38,1	15,9	M10			UC206	F206	1,12	
UCF206-17	11/16														UC206-17		1,15	
UCF206-18	11/8	4¾	317/64	45/64	35/64	17/32	15/32	119/32	1¾	1,5000	0,626	3/8	18525	10735	UC206-18		1,14	
UCF206-19	13/15														UC206-19		1,12	
UCF206-20	1¼														UC206-20		1,11	
UCF207	35	117	92	19	16	34	14	44,4	48,5	42,9	17,5	M12			UC207	F207	1,46	
UCF207-20	1¼														UC207-20		1,52	
UCF207-21	15/16	439/64	35/8	¾	5/8	111/32	35/64	1¾	129/32	1,6890	0,689	7/16	24415	14630	UC207-21		1,49	
UCF207-22	13/8														UC207-22		1,46	
UCF207-23	17/16														UC207-23		1,43	
UCF208	40	130	102	21	16	36	16	51,2	55,5	49,2	19	M14			UC208	F208	1,84	
UCF208-24	1½	51/8	41/64	53/64	5/8	127/64	5/8	21/64	23/16	1,9370	0,748	½	27645	16910	UC208-24		1,88	
UCF208-25	19/16														UC208-25		1,85	
UCF209	45	137	105	22	18	38	16	52,2	56,5	49,2	19	M14			UC209	F209	2,15	
UCF209-26	15/8														UC209-26		2,25	
UCF209-27	111/16	513/32	49/64	55/64	23/32	1½	5/8	21/16	27/32	1,9370	0,748	½	32395	20235	UC209-27		2,21	
UCF209-28	1¾														UC209-28		2,17	
UCF210	50	143	111	22	18	40	16	54,6	59,5	51,6	19	M14			UC210	F210	2,42	
UCF210-29	113/16														UC210-29		2,54	
UCF210-30	17/8	55/8	43/8	55/64	23/32	19/16	5/8	25/32	211/32	2,0315	0,748	½	33345	22135	UC210-30		2,49	
UCF210-31	115/16														UC210-31		2,44	
UCF210-32	2														UC210-32		2,40	
UCF211	55	162	130	25	20	43	19	58,4	63	55,6	22,2	M16			UC211	F211	3,31	
UCF211-32	2														UC211-32		3,46	
UCF211-33	21/16	63/8	51/8	63/64	25/32	111/16	¾	15/16	231/64	2,1890	0,874	5/8	41230	27930	UC211-33		3,40	
UCF211-34	21/8														UC211-34		3,35	
UCF211-35	23/16														UC211-35		3,29	
UCF212	60	175	143	29	20	48	19	68,7	73,5	65,1	25,4	M16			UC212	F212	4,28	
UCF212-36	2¼														UC212-36		4,41	
UCF212-37	25/16	657/64	55/8	19/64	25/32	157/64	¾	245/64	257/64	2,5630	1,000	5/8	49780	34390	UC212-37		4,33	
UCF212-38	23/8														UC212-38		4,26	
UCF212-39	27/16														UC212-39		4,19	
UCF213	65	187	149	30	22	50	19	69,7	74,5	65,1	25,4	M16			UC213	F213	4,99	
UCF213-40	2½	723/64	555/64	13/16	55/64	131/32	¾	2¾	215/16	2,5630	1,000	5/8	54340	38095	UC213-40		5,08	
UCF213-41	29/16														UC213-41		4,99	
UCF214	70	193	152	31	22	54	19	75,4	81,5	74,6	30,2	M16			UC214	F214	5,85	
UCF214-42	25/8														UC214-42		6,06	
UCF214-43	211/16	719/32	563/64	17/32	55/64	21/8	¾	221/32	313/64	2,9370	1,189	5/8	59090	41895	UC214-43		5,96	
UCF214-44	2¾														UC214-44		5,86	
UCF215	75	200	159	34	22	56	19	78,5	83,5	77,8	33,3	M16			UC215	F215	6,91	
UCF215-45	213/16														UC215-45		7,16	
UCF215-46	27/8	77/8	617/64	111/32	55/64	27/32	¾	33/32	39/32	3,0630	1,311	5/8	64030	45885	UC215-46		7,05	
UCF215-47	215/16														UC215-47		6,94	
UCF215-48	3														UC215-48		6,82	
UCF216	80	208	165	34	22	58	23	83,3	88,5	82,6	33,3	M20			UC216	F216	7,50	
UCF216-49	31/16														UC216-49		7,68	
UCF216-50	31/8	83/16	6½	111/32	55/64	29/32	29/32	39/32	339/64	3,2520	1,311	¾	69065	50350	UC216-50		7,55	
UCF216-51	33/16														UC216-51		7,42	
UCF217	85	220	175	36	24	63	23	87,6	92,6	85,7	34,1	M20			UC217	F217	9,66	
UCF217-52	3¾														UC217-52		9,88	
UCF217-53	35/6	821/33	657/64	127/64	15/16	215/32	29/32	37/16	341/64	3,3740	1,343	¾	79800	58805	UC217-53		9,74	
UCF217-55	37/16														UC217-55		9,45	
UCF218	90	235	187	40	24	68	23	96,3	101,5	96	39,7	M20			UC218	F218	12,06	
UCF218-56	3½	9¼	723/64	137/64	15/16	211/16	29/32	325/32	4	3,7795	1,5630	¾	91295	67925	UC218-56		12,17	
UCF220	100	265	210	44	25	70	27	110	138	108	42	M12	122,1	93	UC220	F218	17,58	
UCF220-64	101,6	265	210	44	25	70	27	110	138	108	42	M12			UC220-64		17,58	

Disponibile in acciaio inox Supporto: AISI 304 - Cuscinetto: AISI 440C o 420C - Available stainless steel Housing: AISI 304 - Bearing: AISI 440C or 420C  
 Disponibile su richiesta con cuscinetto SA (SAF.) - Available under request with SA bearing (SAF.)

HCF2 Serie normale - Standard duty

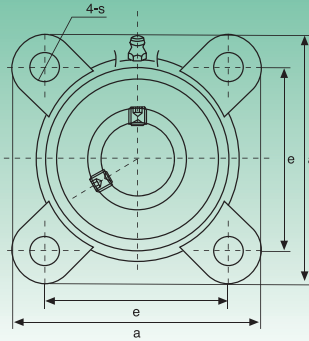
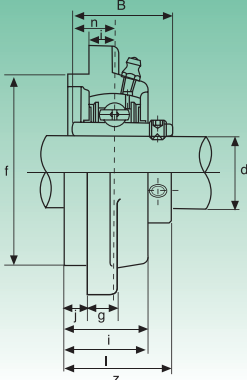


Tipo Type	Dimensioni - Dimensions										Bull. fiss. Bolt Size	Coefficients di carico (N) Load ratings (N)		Cuscinetto Bearing	Supporto Housing	Peso Weight
	d	a	e	i	g	l	s	z	B <sub>1</sub>	n		Dinamico C Dynamic C	Statico C <sub>0</sub> Static C <sub>0</sub>			
	mm/inch											mm/inch				
<b>HCF204</b>	<b>20</b>	86	64	15	12	25,5	12	41,6	43,7	17,1	M10	12160	6318	<b>HC204</b>	<b>F204</b>	0,63
HCF204-12	¾	33/8	233/64	19/32	15/32	1	15/32	141/64	1,720	0,673	3/8			HC204-12		0,63
<b>HCF205</b>	<b>25</b>	95	70	16	14	27	12	42,9	44,4	17,5	M10			<b>HC205</b>		0,87
HCF205-13	13/16													HC205-13		0,92
HCF205-14	7/8	3¾	2¾	5/8	35/64	11/16	15/32	111/16	1,748	0,689	3/8	13300	7457	HC205-14	<b>F205</b>	0,91
HCF205-15	15/16													HC205-15		0,89
HCF205-16	1													HC205-16		0,87
<b>HCF206</b>	<b>30</b>	108	83	18	14	31	12	48,1	48,4	18,3	M10			<b>HC206</b>		1,25
HCF206-17	11/16													HC206-17		1,30
HCF206-18	11/8	4¼	317/64	45/64	35/64	17/32	15/32	157/64	1,906	0,720	3/8	18525	10735	HC206-18	<b>F206</b>	1,27
HCF206-19	13/16													HC206-19		1,25
HCF206-20	1¼													HC206-20		1,24
<b>HCF207</b>	<b>35</b>	117	92	19	16	34	14	51,3	51,1	18,8	M12			<b>HC207</b>		1,58
HCF207-20	1¼													HC207-20		1,65
HCF207-21	15/16	439/64	35/8	¾	5/8	111/32	35/64	21/64	2,012	0,740	7/16	24415	14630	HC207-21	<b>F207</b>	1,61
HCF207-22	13/8													HC207-22		1,58
HCF207-23	17/16													HC207-23		1,55
<b>HCF208</b>	<b>40</b>	130	102	21	16	36	16	55,9	56,3	21,4	M14			<b>HC208</b>		1,99
HCF208-24	1½	51/8	41/64	53/64	5/8	127/32	5/8	213/64	2,217	0,843	½	27645	16910	HC208-24	<b>F208</b>	2,04
HCF208-25	19/16													HC208-25		2,00
<b>HCF209</b>	<b>45</b>	137	105	22	18	38	16	56,9	56,3	21,4	M14			<b>HCF209</b>		2,32
HCF209-26	15/8													HC209-26		2,43
HCF209-27	111/16	513/32	49/64	55/64	55/64	1½	5/8	215/64	2,217	0,843	½	32395	20235	HC209-27	<b>F209</b>	2,38
HCF209-28	1¾													HC209-28		2,34
<b>HCF210</b>	<b>50</b>	143	111	22	18	40	16	60,1	62,7	24,6	M14			<b>HCF210</b>		2,61
HCF210-29	113/16													HC210-29		2,76
HCF210-30	17/8	55/8	43/8	55/64	55/64	19/16	5/8	23/8	2,469	0,969	½	33345	22135	HC210-30	<b>F210</b>	2,70
HCF210-31	115/16													HC210-31		2,64
HCF210-32	2													HC210-32		2,58
<b>HCF211</b>	<b>55</b>	162	130	25	20	43	19	68,6	71,4	27,8	M16			<b>HCF211</b>		3,52
HCF211-32	2													HC211-32		3,72
HCF211-33	22/16	63/8	51/8	63/64	25/32	111/16	¾	245/64	2,811	1,094	5/8	41230	27930	HC211-33	<b>F211</b>	3,64
HCF211-34	21/8													HC211-34		3,57
HCF211-35	23/16													HC211-35		3,49
<b>HCF212</b>	<b>60</b>	175	143	29	20	48	19	75,8	77,8	31	M16			<b>HC212</b>		4,62
HCF212-36	2¼													HC212-36		4,78
HCF212-37	25/16	657/64	55/8	19/64	25/32	157/64	¾	263/64	3,063	1,220	5/8	49780	34390	HC212-37	<b>F212</b>	4,69
HCF212-38	23/8													HC212-38		4,64
HCF212-39	27/16													HC212-39		4,51
<b>HCF213</b>	<b>65</b>	187	149	30	22	50	19	81,6	85,7	34,1	M16			<b>HC213</b>		5,55
HCF213-40	2½	723/64	555/64	13/16	55/64	131/32	¾	37/32	3,374	1,343	5/8	54340	38095	HC213-40	<b>F213</b>	5,65
HCF213-41	29/16													HC213-41		5,54
<b>HCF214</b>	<b>70</b>	193	152	31	22	54	19	82,6	85,7	34,1	M16			<b>HC214</b>		6,35
HCF214-42	23/8													HC214-42		6,59
HCF214-43	211/16	719/32	563/64	17/32	55/64	21/8	¾	3¼	3,374	1,343	5/8	59090	41895	HC214-43	<b>F214</b>	6,48
HCF214-44	2¾													HC214-44		6,36
<b>HCF215</b>	<b>75</b>	200	159	34	22	56	19	88,8	92,1	37,3	M16			<b>HC215</b>		7,54
HCF215-45	213/16													HC215-45		7,84
HCF215-46	27/8	77/8	617/64	111/32	55/64	27/32	¾	3½	3,626	1,426	5/8	64030	45885	HC215-46	<b>F215</b>	7,71
HCF215-47	215/16													HC215-47		7,58
HCF215-48	3													HC215-48		7,44

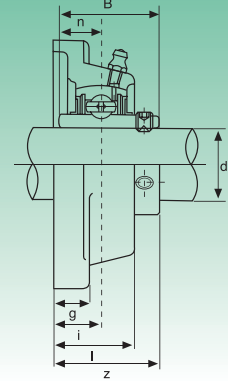
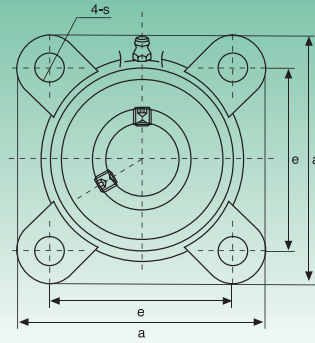


Tipo Type	Dimensioni - Dimensions										Bull. fiss. Bolt Size	Coefficienti di carico (N) Load ratings (N)		Cuscinetto Bearing	Supporto Housing	Peso Weight kg								
	d	a	e	i	g	l	s	z	B	n		Dinamico C Dynamic C	Statico C <sub>0</sub> Static C <sub>0</sub>											
	mm/inch											mm/inch												
<b>UCF305</b> UCF305-13 UCF305-14 UCF305-15 UCF305-16	<b>25</b> 13/16 7/8 15/16 1	110	80	16	13	29	16	39	38	15	M14	20140	10355	<b>UC305</b> UC305-13 UC305-14 UC305-15 UC305-16	<b>F305</b>	1,1								
<b>UCF306</b> UCF306-17 UCF306-18 UCF306-19	<b>30</b> 11/16 11/8 13/16	125	95	18	15	32	16	44	43	17	M14			25365			14250	<b>UC306</b> UC306-17 UC306-18 UC306-19	<b>F306</b>	1,6				
<b>UCF307</b> UCF307-20 UCF307-21 UCF307-22 UCF307-23	<b>35</b> 1 1/4 15/16 13/8 17/16	135	100	20	16	36	19	49	48	19	M16							31730			18335	<b>UC307</b> UC307-20 UC307-21 UC307-22 UC307-23	<b>F307</b>	2
<b>UCF308</b> UCF308-24 UCF308-25	<b>40</b> 1 1/2 19/6	150	112	23	17	40	19	56	52	19	M16											38665		
<b>UCF309</b> UCF309-26 UCF309-27 UCF309-28	<b>45</b> 15/8 111/16 1 3/4	160	125	25	18	44	19	60	57	22	M16			46455			28025		<b>UC309</b> UC309-26 UC309-27 UC309-28	<b>F309</b>				
<b>UCF310</b> UCF310-29 UCF310-30 UCF310-31	<b>50</b> 113/16 17/8 115/16	175	132	28	19	48	23	67	61	22	M20	58900	36385		<b>UC310</b> UC310-29 UC310-30 UC310-31	<b>F310</b>			4,5					
<b>UCF311</b> UCF311-32 UCF311-33 UCF311-34 UCF311-35	<b>55</b> 2 21/16 21/8 23/16	185	140	30	20	52	23	71	66	25	M20				68020			42750			<b>UC311</b> UC311-32 UC311-33 UC311-34 UC311-35	<b>F311</b>	5,5	
<b>UCF312</b> UCF312-36 UCF312-37 UCF312-38 UCF312-39	<b>60</b> 2 1/4 25/16 23/8 27/16	195	150	33	22	56	23	78	71	26	M20			77805			49590			<b>UC312</b> UC312-36 UC312-37 UC312-38 UC312-39	<b>F312</b>			6,5
<b>UCF313</b> UCF313-40 UCF313-41	<b>65</b> 2 1/2 29/16	208	166	33	22	58	23	78	75	30	M20									88065				
<b>UCF314</b> UCF314-42 UCF314-43 UCF314-44	<b>70</b> 25/8 211/16 2 3/4	226	178	36	25	61	25	81	78	33	M22	98800	64790		<b>UC314</b> UC314-42 UC314-43 UC314-44	<b>F314</b>		9,5						
<b>UCF315</b> UCF315-45 UCF315-46 UCF315-47 UCF315-48	<b>75</b> 213/16 27/8 215/16 3	236	184	39	25	66	25	89	82	32	M22				107350				73340	<b>UC315</b> UC315-45 UC315-46 UC315-47 UC315-48		<b>F315</b>	12	
<b>UCF316</b> UCF316-49 UCF316-50 UCF316-51	<b>80</b> 31/16 31/8 33/16	250	196	38	27	68	31	90	86	34	M27			116850			82365			<b>UC316</b> UC316-49 UC316-50 UC316-51	<b>F316</b>			14
<b>UCF317</b> UCF317-52 UCF317-53 UCF317-55	<b>85</b> 3 3/4 35/16 37/16	260	204	44	27	74	31	100	96	40	M27	126350	91960			<b>UC317</b> UC317-52 UC317-53 UC317-55		<b>F317</b>		16				
<b>UCF318</b> UCF318-55 UCF318-56	<b>90</b> 37/16 3 1/2	280	216	44	30	76	35	100	96	40	M30					135850								
<b>UCF319</b> UCF319-58 UCF319-59 UCF319-60	<b>95</b> 35/8 311/16 3 3/4	290	228	59	30	94	35	121	103	41	M30			145350	113050		<b>UC319</b> UC319-58 UC319-59 UC319-60		<b>F319</b>		22			
<b>UCF320</b> UCF320-61 UCF320-62 UCF320-63 UCF320-64	<b>100</b> 313/16 37/8 315/16 4	310	242	59	32	94	38	125	108	42	M33					164350	133950					<b>UC320</b> UC320-61 UC320-62 UC320-63 UC320-64	<b>F320</b>	25
<b>UCF321</b>	<b>105</b>	310	242	59	32	94	38	127	-	44	M33	174800	145350					<b>UC321</b>		<b>F321</b>		25,6		
<b>UCF322</b>	<b>110</b>	340	266	60	35	96	41	131	-	46	M36			194750	171000			<b>UC322</b>	<b>F322</b>		34,7			
<b>UCF324</b>	<b>120</b>	370	290	65	40	110	41	140	-	51	M36	196650	175750					<b>UC324</b>		<b>F324</b>		47,2		
<b>UCF326</b>	<b>130</b>	410	320	65	45	115	41	146	-	54	M36					217550	203300	<b>UC326</b>					<b>F326</b>	62,7
<b>UCF328</b>	<b>140</b>	450	350	75	55	125	41	161	-	59	M36	240350	233700	<b>UC328</b>	<b>F328</b>			87,0						

UCFS3 Serie pesante - Heavy duty

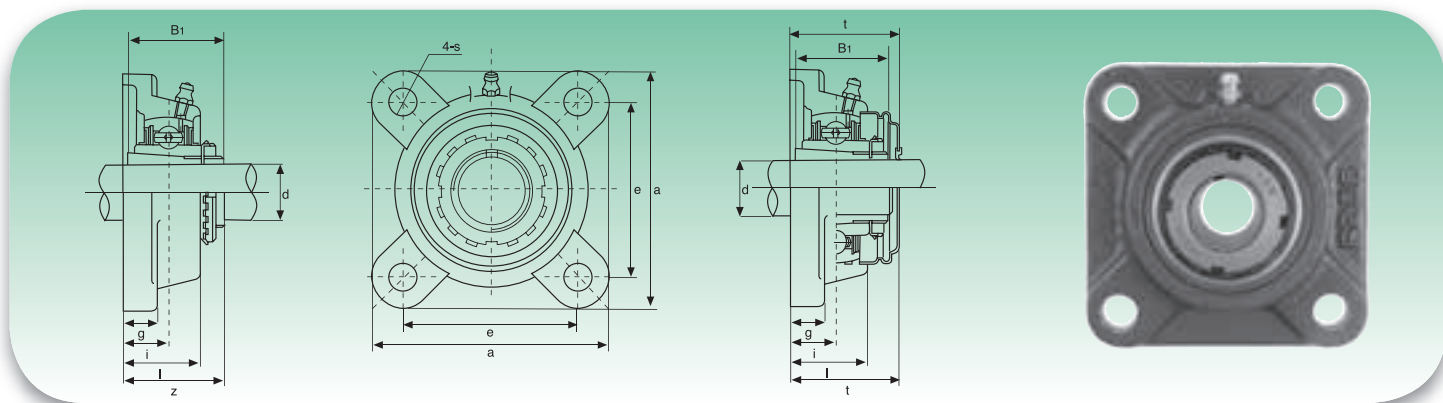


Tipo Type	Dimensioni - Dimensions												Bull. fiss. Bolt Size	Coefficienti di carico (N) Load ratings (N)		Cuscinetto Bearing	Supporto Housing	Peso Weight	
	d	a	e	i	s	j	g	l	f	z	B	n		Dinamico C Dynamic C	Statico C <sub>0</sub> Static C <sub>0</sub>				kg
	mm/inch													mm/inch					
<b>UCFS305</b> UCFS305-13 UCFS305-14 UCFS305-15 UCFS305-16	25 13/16 7/8 15/16 1	110 411/32	80 35/32	9 23/64	16 5/8	7 9/32	13 1/2	29 19/64	80 3,1496	39 117/32	38 1,4961	15 0,591	M14 1/2	20140	10355	<b>UC305</b> UC305-13 UC305-14 UC305-15 UC305-16	<b>FS305</b>	1,3	
<b>UCFS306</b> UCFS306-17 UCFS306-18 UCFS306-19	30 11/16 11/8 13/16	125 429/32	95 347/64	10 25/64	16 5/8	8 5/16	15 19/32	32 117/64	90 3,5433	44 147/64	43 1,6929	17 0,669	M14 1/2	25365	14250	<b>UC306</b> UC306-17 UC306-18 UC306-19	<b>FS306</b>	1,9	
<b>UCFS307</b> UCFS307-20 UCFS307-21 UCFS307-22 UCFS307-23	35 1 1/4 15/16 13/8 17/16	135 55/16	100 315/16	11 7/16	19 3/4	9 23/64	16 5/8	36 113/32	100 3,9730	49 159/64	48 1,8898	19 0,748	M16 5/8	31730	18335	<b>UC307</b> UC307-20 UC307-21 UC307-22 UC307-23	<b>FS307</b>	2,4	
<b>UCFS308</b> UCFS308-24 UCFS308-25	40 1 1/2 19/16	150 529/32	112 413/32	13 33/64	19 3/4	10 25/64	17 21/32	40 19/16	115 4,5276	56 213/64	52 2,0472	19 0,748	M16 5/8	38665	22800	<b>UC308</b> UC308-24 UC308-25	<b>FS308</b>	3,3	
<b>UCFS309</b> UCFS309-26 UCFS309-27 UCFS309-28	45 15/8 111/16 1 3/4	160 65/16	125 459/64	14 35/64	19 3/4	11 7/16	18 23/32	44 147/64	125 4,9213	60 223/64	57 2,2441	22 0,866	M16 5/8	46455	28020	<b>UC309</b> UC309-26 UC309-27 UC309-28	<b>FS309</b>	4,0	
<b>UCFS310</b> UCFS310-29 UCFS310-30 UCFS310-31	50 113/16 17/8 115/16	175 67/8	132 513/64	16 5/8	23 29/32	12 15/32	19 3/4	48 157/64	140 5,5118	67 241/64	61 2,4016	22 0,866	M20 3/4	58900	36385	<b>UC310</b> UC310-29 UC310-30 UC310-31	<b>FS310</b>	5,3	
<b>UCFS311</b> UCFS311-32 UCFS311-33 UCFS311-34 UCFS311-35	55 2 21/16 21/8 23/16	185 79/32	140 533/64	17 43/64	23 29/32	13 33/64	20 25/32	52 23/64	150 5,9055	71 251/64	66 2,5984	26 0,984	M20 3/4	68020	42750	<b>UC311</b> UC311-32 UC311-33 UC311-34 UC311-35	<b>FS311</b>	6,2	
<b>UCFS312</b> UCFS312-36 UCFS312-37 UCFS312-38 UCFS312-39	60 2 1/4 25/16 23/8 27/16	195 711/16	150 529/32	19 3/4	23 29/32	14 35/64	22 7/8	56 27/32	160 6,2922	78 35/64	71 2,7953	25 1,024	M20 3/4	77805	49590	<b>UC312</b> UC312-36 UC312-37 UC312-38 UC312-39	<b>FS312</b>	7,2	
<b>UCFS313</b> UCFS313-40 UCFS313-41	65 2 1/2 29/16	208 83/16	166 617/32	15 19/32	23 29/32	18 45/64	22 55/64	58 29/32	175 6,8898	78 35/64	75 2,9528	30 1,181	M20 3/4	88065	56905	<b>UC313</b> UC313-40 UC313-41	<b>FS313</b>	8,9	
<b>UCFS314</b> UCFS314-42 UCFS314-43 UCFS314-44	70 25/8 211/16 2 3/4	223 829/32	178 61/64	18 45/64	25 63/64	18 45/64	25 31/32	61 213/32	185 7,2835	81 33/16	78 3,0708	33 1,299	M20 3/4	98800	64790	<b>UC314</b> UC314-42 UC314-43 UC314-44	<b>FS314</b>	11	
<b>UCFS315</b> UCFS315-45 UCFS315-46 UCFS315-47 UCFS315-48	75 213/16 27/8 215/16 3	236 99/32	184 7 1/4	21 53/64	25 63/64	18 45/64	25 31/32	66 219/32	200 7,8740	89 3 1/2	82 3,2283	32 1,260	M22 7/8	107350	73340	<b>UC315</b> UC315-45 UC315-46 UC315-47 UC315-48	<b>FS315</b>	13	
<b>UCFS316</b> UCFS316-49 UCFS316-50 UCFS316-51	80 31/16 31/8 33/16	250 927/32	196 723/32	18 45/64	31 17/32	20 25/32	27 11/16	68 263/64	210 8,2677	90 335/64	86 3,3858	34 1,339	M27 1	116850	82365	<b>UC316</b> UC316-49 UC316-50 UC316-51	<b>FS316</b>	15	
<b>UCFS317</b> UCFS317-52 UCFS317-53 UCFS317-55	85 3 1/4 35/16 37/16	260 10 1/4	204 81/32	24 15/16	31 17/32	20 25/32	27 11/16	74 229/32	220 8,6614	100 315/16	96 9,7795	40 1,575	M27 1	126350	91960	<b>UC317</b> UC317-52 UC317-53 UC317-55	<b>FS317</b>	17	
<b>UCFS318</b> UCFS318-55 UCFS318-56	90 37/16 3 1/2	280 111/32	216 8 1/2	24 15/16	35 13/8	20 25/32	30 13/16	76 3	240 9,4488	100 315/16	96 3,7795	40 1,575	M30 1 1/8	135850	101650	<b>UC318</b> UC318-55 UC318-56	<b>FS318</b>	21	
<b>UCFS319</b> UCFS319-58 UCFS319-59 UCFS319-60	95 35/8 311/16 3 3/4	280 111/32	228 831/32	39 117/32	35 13/8	20 25/32	30 13/16	94 345/64	250 9,8425	121 449/64	103 4,0551	41 1,614	M30 1 1/8	145350	113050	<b>UC319</b> UC319-58 UC319-59 UC319-60	<b>FS319</b>	25	
<b>UCFS320</b> UCFS320-61 UCFS320-62 UCFS320-63 UCFS320-64	100 313/16 37/8 315/16 4	310 127/32	242 917/32	39 117/32	38 1 1/2	20 25/32	32 13/16	94 345/64	260 10,2362	125 459/64	108 4,2520	42 1,654	M33 1 1/4	164350	133950	<b>UC320</b> UC320-61 UC320-62 UC320-63 UC320-64	<b>FS320</b>	30	



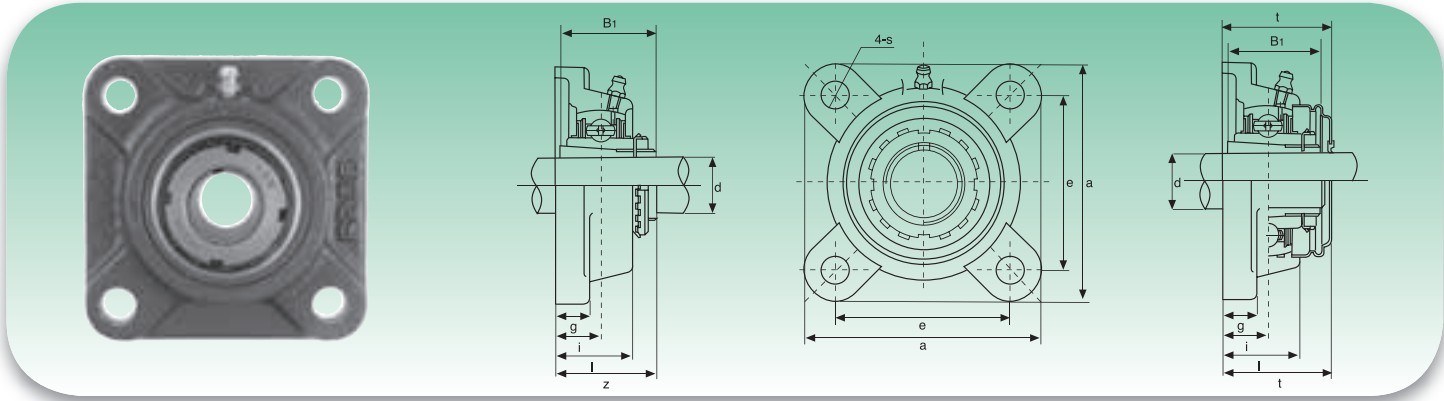
Tipo Type	Dimensioni - Dimensions										Bull. fiss. Bolt Size	Coefficienti di carico (N) Load ratings (N)		Cuscinetto Bearing	Supporto Housing	Peso Weight kg
	d	a	e	i	g	l	s	z	B	n		Dinamico C Dynamic C	Statico C <sub>0</sub> Static C <sub>0</sub>			
	mm/inch											mm/inch				
<b>UCFX05</b> UCFX05-13 UCFX05-14 UCFX05-15 UCFX05-16	<b>25</b> 13/16 7/8 15/16 1	108 4 3/4	83 317/64	18 45/64	13 1/2	30 13/16	12 15/32	40,2 119/32	38,1 1,5000	15,9 0,626	M10 3/8	18525	10735	<b>UCX05</b> UCX05-13 UCX05-14 UCX05-15 UCX05-16	<b>FX05</b>	1,0
<b>UCFX06</b> UCFX06-17 UCFX06-18 UCFX06-19 UCFX06-20	<b>30</b> 11/16 11/8 13/16 1 1/4	117 439/64	92 35/8	19 3/4	14 9/16	34 111/32	16 5/8	44,4 1 3/4	42,9 1,6890	17,5 0,689	M14 1/2	24415	14630	<b>UCX06</b> UCX06-17 UCX06-18 UCX06-19 UCX06-20	<b>FX06</b>	1,7
<b>UCFX07</b> UCFX07-21 UCFX07-22 UCFX07-23	<b>35</b> 15/16 13/8 17/16	130 51/8	102 41/64	21 53/64	14 9/16	38 1 1/2	16 5/8	51,2 21/64	49,2 1,9370	19 0,748	M14 1/2	27645	16910	<b>UCX07</b> UCX07-21 UCX07-22 UCX07-23	<b>FX07</b>	2,1
<b>UCFX08</b> UCFX08-24 UCFX08-25	<b>40</b> 1 1/2 19/16	137 513/32	105 49/64	22 55/64	14 9/16	40 19/16	19 3/4	52,2 21/64	49,2 1,9370	19 0,748	M16 5/8	32395	20235	<b>UCX08</b> UCX08-24 UCX08-25	<b>FX08</b>	2,4
<b>UCFX09</b> UCFX09-26 UCFX09-27 UCFX09-28 UCFX09-29	<b>45</b> 15/8 111/16 1 3/4 113/16	143 55/8	111 43/8	23 29/32	14 9/16	40 19/16	19 3/4	55,6 23/16	51,6 2,0315	19 0,748	M16 5/8	33345	22135	<b>UCX09</b> UCX09-26 UCX09-27 UCX09-28 UCX09-29	<b>FX09</b>	2,5
<b>UCFX10</b> UCFX10-30 UCFX10-31 UCFX10-32	<b>50</b> 17/8 115/16 2	162 63/8	130 51/8	26 11/32	20 25/32	44 123/32	19 3/4	59,4 211/32	55,6 2,1890	22,2 0,874	M16 5/8	41230	27930	<b>UCX10</b> UCX10-30 UCX10-31 UCX10-32	<b>FX10</b>	3,9
<b>UCFX11</b> UCFX11-33 UCFX11-34 UCFX11-35 UCFX11-36 UCFX11-37	<b>55</b> 21/16 21/8 23/16 2 1/4 25/16	175 657/64	143 55/8	29 19/64	20 25/32	49 115/16	19 3/4	68,7 245/64	65,1 2,5630	25,4 1,000	M16 5/8	49780	34390	<b>UCX11</b> UCX11-33 UCX11-34 UCX11-35 UCX11-36 UCX11-37	<b>FX11</b>	4,9
<b>UCFX12</b> UCFX12-38 UCFX12-39	<b>60</b> 23/8 27/16	187 723/64	149 555/64	34 111/32	21 13/16	59 25/16	19 3/4	73,7 229/32	65,1 2,5630	25,4 1,000	M16 5/8	54340	38095	<b>UCX12</b> UCX12-38 UCX12-39	<b>FX12</b>	5,2
<b>UCFX13</b> UCFX13-40 UCFX13-41	<b>65</b> 2 1/2 29/16	187 723/64	149 555/64	34 111/32	21 13/16	59 25/16	19 3/4	78,4 33/32	74,6 2,9370	30,2 1,189	M16 5/8	59090	41895	<b>UCX13</b> UCX13-40 UCX13-41	<b>FX13</b>	5,3
<b>UCFX14</b> UCFX14-42 UCFX14-43 UCFX14-44	<b>70</b> 25/8 211/16 2 3/4	197 7 3/4	152 563/64	37 129/64	24 15/16	60 23/8	23 29/32	81,5 313/64	77,8 3,0630	33,3 1,311	M20 3/4	64030	45885	<b>UCX14</b> UCX14-42 UCX14-43 UCX14-44	<b>FX14</b>	7,3
<b>UCFX15</b> UCFX15-45 UCFX15-46 UCFX15-47 UCFX15-48	<b>75</b> 213/16 27/8 215/16 3	197 7 3/4	152 563/64	40 137/64	24 15/16	68 211/16	23 29/32	89,3 333/64	82,6 3,2520	33,3 1,311	M20 3/4	69065	50350	<b>UCX15</b> UCX15-45 UCX15-46 UCX15-47 UCX15-48	<b>FX15</b>	8,1
<b>UCFX16</b> UCFX16-49 UCFX16-50 UCFX16-51 UCFX16-52	<b>80</b> 31/16 31/8 33/16 3 3/4	214 87/16	171 647/64	40 137/64	24 15/16	70 2 3/4	23 29/32	91,6 339/64	85,7 3,3740	34,1 1,343	M20 3/4	79800	58805	<b>UCX16</b> UCX16-49 UCX16-50 UCX16-51 UCX16-52	<b>FX16</b>	9,9
<b>UCFX17</b> UCFX17-53 UCFX17-55	<b>85</b> 35/16 37/16	214 87/16	171 647/64	40 137/64	24 15/16	70 2 3/4	23 29/32	93,3 325/32	96 3,7795	39,7 1,563	M20 3/4	91295	67925	<b>UCX17</b> UCX17-53 UCX17-55	<b>FX17</b>	11
<b>UCFX18</b> UCFX18-56 UCFX18-57	<b>90</b> 37/16 3 1/2	214 87/16	171 647/64	45 149/64	24 15/16	76 3	23 29/32	106,1 411/64	104 4,0945	42,9 1,689	M20 3/4	103550	77805	<b>UCX18</b> UCX18-56 UCX18-57	<b>FX18</b>	11
<b>UCFX20</b> UCFX20-58 UCFX20-59 UCFX20-60 UCFX20-61	<b>100</b> 313/16 37/8 315/16 4	268 109/16	211 85/16	59 221/64	31 17/32	97 313/16	31 17/32	127,3 51/64	117,5 4,6260	49,2 1,937	M27 1	126350	99750	<b>UCX20</b> UCX20-58 UCX20-59 UCX20-60 UCX20-61	<b>FX20</b>	17

UKF2 Serie normale - Standard duty



Tipo Type	Dimensioni - Dimensions										Bull. fiss. Bolt Size	Coefficients di carico (N) Load ratings (N)		Cuscinetto Bearing	Supporto Housing	Peso Weight	
	d	a	e	i	g	l	s	z	t	B <sub>1</sub>		Dinamico C Dynamic C	Statico C <sub>0</sub> Static C <sub>0</sub>				kg
	mm/inch											mm/inch					
<b>UKF205+H2305</b>	<b>20</b>	95	70	16	14	27	12	35,5	40	35	M10			<b>UK205+H2305</b>	<b>F205</b>	0,85	
UKF205+HE2305	¾	3¾	2¾	5/8	35/64	11/16	15/32	125/64	19/16	1,378	3/8	13300	7457	UK205+HE2305			
<b>UKF206+H2306</b>	<b>25</b>	108	83	18	14	31	12	39	44,5	38	M10			<b>UK206+H2306</b>	<b>F206</b>	1,16	
UKF206+HS2306	7/8											18525	10735	UK206+HS2306			
UKF206+HE2306	1	4¼	317/64	45/64	35/64	17/32	15/32	117/32	1¾	1,496	3/8			UK206+HE2306			
<b>UKF207+H2307</b>	<b>30</b>	117	92	19	16	34	14	42,5	48,5	43	M12			<b>UK207+H2307</b>	<b>F207</b>	1,55	
UKF207+HS2307	11/8	439/64	35/8	¾	5/8	111/32	35/64	143/64	129/32	1,693	7/16	24415	14630	UK207+HS2307			
<b>UKF208+H2308</b>	<b>35</b>	130	102	21	16	36	16	46,5	55,5	46	M14			<b>UK208+H2308</b>	<b>F208</b>	1,94	
UKF208+HE2308	1¼											27645	16910	UK208+HE2308			
UKF208+HS2308	13/8	51/8	41/64	53/64	5/8	127/64	5/8	153/64	23/16	1,811	½			UK208+HS2308			
<b>UKF209+H2309</b>	<b>40</b>	137	105	22	18	38	16	48,5	56,5	50	M14			<b>UK209+H2309</b>	<b>F209</b>	2,30	
UKF209+HA2309	17/16											32395	20235	UK209+HA2309			
UKF209+HE2309	1½	513/32	49/64	55/64	23/32	1½	5/8	129/32	27/32	1,969	½			UK209+HE2309			
UKF209+HS2309	15/8													UK209+HS2309			
<b>UKF210+H2310</b>	<b>45</b>	143	111	22	18	40	16	50	59,5	55	M14			<b>UK210+H2310</b>	<b>F210</b>	2,59	
UKF210+HS2310	15/8											33345	22135	UK210+HS2310			
UKF210+HA2310	111/16	55/8	43/8	55/64	23/32	19/16	5/8	131/32	211/32	2,165	½			UK210+HA2310			
UKF210+HE2310	1¾													UK210+HE2310			
<b>UKF211+H2311</b>	<b>50</b>	162	130	25	20	43	19	54,5	63	59	M16			<b>UK211+H2311</b>	<b>F211</b>	3,46	
UKF211+HS2311	17/8											41230	27930	UK211+HS2311			
UKF211+HA2311	115/16	63/8	51/8	63/64	25/32	111/16	¾	29/64	231/64	2,323	5/8			UK211+HA2311			
UKF211+HE2311	2													UK211+HE2311			
<b>UKF212+H2312</b>	<b>55</b>	175	143	29	20	48	19	61	73,5	62	M16			<b>UK212+H2312</b>	<b>F212</b>	4,33	
UKF212+HS2312	21/8	657/64	55/8	19/64	25/32	157/64	¾	219/32	257/64	2,441	5/8	49780	34390	UK212+HS2312			
<b>UKF213+H2313</b>	<b>60</b>	187	149	30	22	50	19	64	74,5	65	M16			<b>UK213+H2313</b>	<b>F213</b>	4,90	
UKF213+HA2313	23/16											54340	38095	UK213+HA2313			
UKF213+HE2313	2¼	723/64	555/64	13/16	55/64	131/32	¾	233/64	215/16	2,559	5/8			UK213+HE2313			
UKF213+HS2313	23/8													UK213+HS2313			
<b>UKF215+H2315</b>	<b>65</b>	200	159	34	22	56	19	71	83,5	73	M16			<b>UK215+H2315</b>	<b>F215</b>	7,02	
UKF215+HA2315	27/16											64030	45885	UK215+HA2315			
UKF215+HE2315	2½	77/8	617/64	111/32	55/64	27/32	¾	251/64	39/32	2,874	5/8			UK215+HE2315			
<b>UKF216+H2316</b>	<b>70</b>	208	165	34	22	58	23	73,5	88,5	78	M20			<b>UK216+H2316</b>	<b>F216</b>	7,76	
UKF216+HA2316	211/16											69065	50350	UK216+HA2316			
UKF216+HE2316	2¾	83/16	6½	111/32	55/64	29/32	29/32	257/64	331/64	3,071	¾			UK216+HE2316			
<b>UKF217+H2317</b>	<b>75</b>	220	175	36	24	63	23	77	92,6	82	M20			<b>UK217+H2317</b>	<b>F217</b>	10,08	
UKF217+HA2317	215/16											79800	58805	UK217+HA2317			
UKF217+HE2317	3	821/32	657/64	127/64	15/16	215/32	29/32	31/32	341/64	3,228	¾			UK217+HE2317			
<b>UKF218+H2318</b>	<b>80</b>	235	187	40	24	68	23	81,5	101,5	86	M20			<b>UK218+H2318</b>	<b>F218</b>	12,44	
UKF218+HA2318	33/16	9¼	723/64	137/64	15/16	211/16	29/32	313/64	4	3,386	¾	91295	67925	UK218+HA2318			

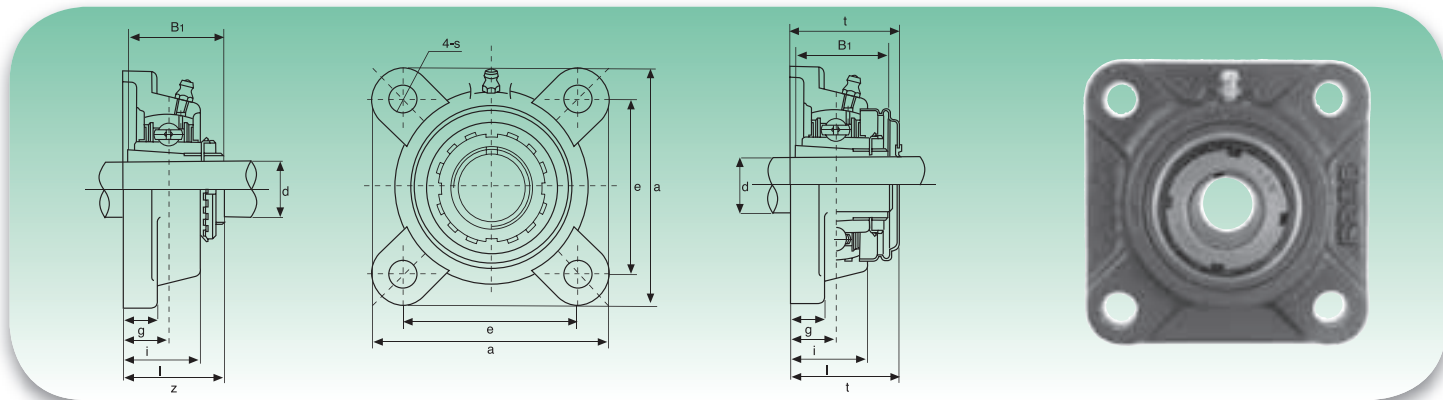
Bussole HA; HE; HS con filettatura in pollici  
Inch dimension adapter sleeves HA; HE; HS

**UKF3 Serie pesante - Heavy duty**


Tipo Type	Dimensioni - Dimensions									Bull. fiss. Bolt Size	Coefficienti di carico (N) Load ratings (N)		Cuscinetto Bearing	Supporto Housing	Peso Weight	
	d	a	e	i	g	l	s	z	B <sub>1</sub>		Dinamico C Dynamic C	Statico C <sub>0</sub> Static C <sub>0</sub>				kg
	mm/inch										mm/inch					
<b>UKF305+H2305</b> UKF305+HE2305	<b>20</b> ¾	110 411/32	80 35/32	16 5/8	13 ½	29 15/32	16 5/8	37 129/64	35 1,378	M14 ½	20140	10355	<b>UK305+H2305</b> UK305+HE2305	<b>F305</b>	1,4	
<b>UKF306+H2306</b> UKF306+HS2306 UKF306+HE2306	<b>25</b> 7/8 1	125 429/32	95 347/64	18 45/64	15 19/32	32 1¼	16 5/8	40,5 219/32	38 1,496	M14 ½	25365	14250	<b>UK306+H2306</b> UK306+HS2306 UK306+HE2306	<b>F306</b>	1,9	
<b>UKF307+H2307</b> UKF307+HS2307	<b>30</b> 11/8	135 55/16	100 315/16	20 25/32	16 5/8	36 113/32	19 ¾	44,5 2¾	43 1,693	M16 5/8	31730	18335	<b>UK307+H2307</b> UK307+HS2307	<b>F307</b>	2,3	
<b>UKF308+H2308</b> UKF308+HE2308 UKF308+HS2308	<b>35</b> 1¼ 13/8	150 529/32	112 413/32	23 29/32	17 21/32	40 19/16	19 ¾	50 231/32	46 1,811	M16 5/8	38665	22800	<b>UK308+H2308</b> UK308+HE2308 UK308+HS2308	<b>F308</b>	3,1	
<b>UKF309+H2309</b> UKF309+HA2309 UKF309+HE2309 UKF309+HS2309	<b>40</b> 17/16 1½ 15/8	160 61/16	125 459/64	25 63/64	18 23/32	44 123/32	19 ¾	54,5 29/64	50 1,969	M16 5/8	46455	28025	<b>UK309+H2309</b> UK309+HA2309 UK309+HE2309 UK309+HS2309	<b>F309</b>	4,1	
<b>UKF310+H2310</b> UKF310+HS2310 UKF310+HA2310 UKF310+HE2310	<b>45</b> 15/8 111/16 1¾	175 67/8	132 513/64	28 17/64	19 ¾	48 17/8	23 29/32	60 223/64	55 2,165	M20 ¾	58900	36385	<b>UK310+H2310</b> UK310+HS2310 UK310+HA2310 UK310+HE2310	<b>F310</b>	5,1	
<b>UKF311+H2311</b> UKF311+HS2311 UKF311+HA2311 UKF311+HE2311	<b>50</b> 17/8 115/16 2	185 79/32	140 533/64	30 13/16	20 25/32	52 21/16	23 29/32	63,5 2½	59 2,323	M20 ¾	68020	42750	<b>UK311+H2311</b> UK311+HS2311 UK311+HA2311 UK311+HE2311	<b>F311</b>	5,9	
<b>UKF312+H2312</b> UKF312+HS2312	<b>55</b> 21/8	195 711/16	150 529/32	33 119/64	22 7/8	56 27/32	23 29/32	69 223/32	62 2,441	M20 ¾	77805	49590	<b>UK312+H2312</b> UK312+HS2312	<b>F312</b>	6,8	
<b>UKF313+H2313</b> UKF313+HA2313 UKF313+HE2313 UKF313+HS2313	<b>60</b> 23/16 2¼ 23/8	208 83/16	166 617/32	33 119/64	22 7/8	58 29/32	23 29/32	71 251/64	65 2,559	M20 ¾	88065	56905	<b>UK313+H2313</b> UK313+HA2313 UK313+HE2313 UK313+HS2313	<b>F313</b>	7,9	
<b>UKF315+H2315</b> UKF315+HA2315 UKF315+HE2315	<b>65</b> 27/16 2½	236 99/32	184 7¼	39 117/32	25 63/64	66 219/32	25 63/64	81 33/16	73 2,874	M22 7/8	107350	73340	<b>UK315+H2315</b> UK315+HA2315 UK315+HE2315	<b>F315</b>	11,7	
<b>UKF316+H2316</b> UKF316+HA2316 UKF316+HE2316	<b>70</b> 211/16 2¾	250 927/32	196 723/32	38 1½	27 11/16	68 211/16	31 17/32	83,5 39/32	78 3,071	M27 1	116850	82365	<b>UK316+H2316</b> UK316+HA2316 UK316+HE2316	<b>F316</b>	12,9	
<b>UKF317+H2317</b> UKF317+HA2317 UKF317+HS2317	<b>75</b> 215/16 3	260 10¼	204 81/32	44 147/64	27 11/16	74 229/32	31 35/8	92 35/8	82 3,228	M27 1	126350	91960	<b>UK317+H2317</b> UK317+HA2317 UK317+HS2317	<b>F317</b>	15,2	
<b>UKF318+H2318</b> UKF318+HA2318	<b>80</b> 33/16	280 111/32	216 8½	44 147/64	30 13/16	76 3	35 13/8	93,5 311/16	86 3,386	M30 11/8	135850	101650	<b>UK318+H2318</b> UK318+HA2318	<b>F318</b>	19	
<b>UKF319+H2319</b> UKF319+HA2319	<b>85</b> 35/16	290 1113/32	228 831/32	59 221/64	30 13/16	94 311/16	35 13/8	111 43/8	90 3,543	M30 11/8	145350	113050	<b>UK319+H2319</b> UK319+HA2319	<b>F319</b>	21,9	
<b>UKF320+H2320</b> UKF320+HA2320	<b>90</b> 37/16	310 127/32	242 917/32	59 221/64	32 1¼	94 311/16	38 1½	115 417/32	97 3,814	M33 1¼	164350	133950	<b>UK320+H2320</b> UK320+HA2320	<b>F320</b>	25,4	
<b>UKF322+H2322</b> UKF322+HA2322	<b>100</b> 315/16	340 133/8	266 1015/32	60 323/64	35 13/8	96 325/32	41 139/64	121 449/64	105 4,134	M36 13/8	194750	171000	<b>UK322+H2322</b> UK322+HA2322	<b>F322</b>	35,2	
<b>UKF324+H2324</b> UKF324+HA2324	<b>110</b> 43/16	370 165/32	290 1219/32	65 29/16	40 19/16	110 411/32	41 139/64	130 51/8	112 4,410	M36 13/8	196650	175750	<b>UK324+H2324</b> UK324+HA2324	<b>F324</b>	47,6	
<b>UKF326+H2326</b> UKF326+HA2326	<b>115</b> 47/16	410 165/32	320 1219/32	65 29/6	45 125/32	115 417/32	41 139/64	134 59/32	121 4,764	M36 13/8	217550	203300	<b>UK326+H2326</b> UK326+HA2326	<b>F326</b>	65,3	
<b>UKF328+H2328</b> UKF328+HA2328	<b>125</b> 415/16	450 1723/32	350 1325/32	75 261/64	55 25/32	125 429/32	41 139/64	148 553/64	131 5,158	M36 13/8	240350	233700	<b>UK328+H2328</b> UK328+HA2328	<b>F328</b>	93,4	

Bussole HA; HE; HS con filettatura in pollici  
Inch dimension adapter sleeves HA; HE; HS

UKFX Serie media - Medium duty



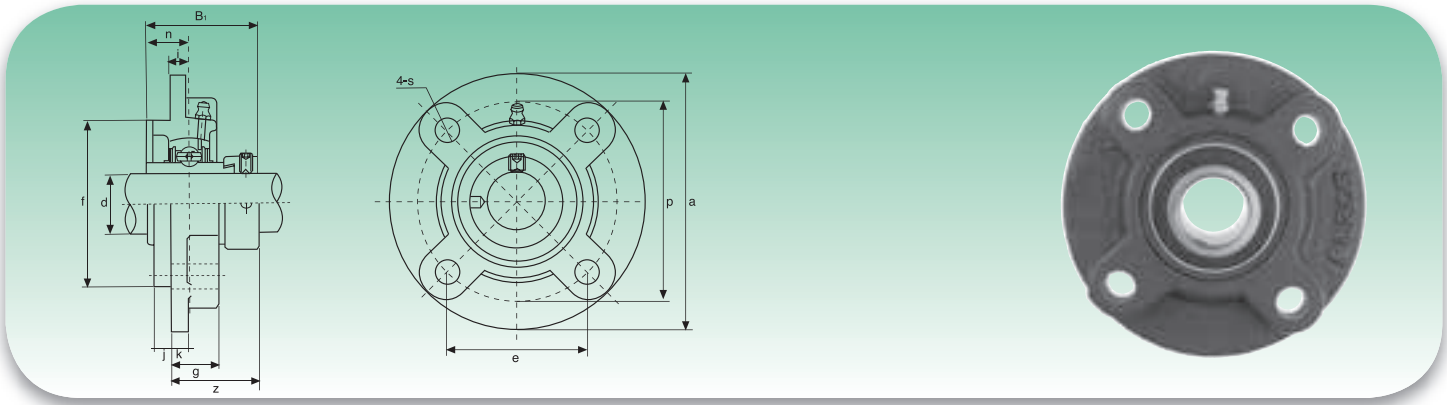
Tipo Type	Dimensioni - Dimensions									Bull. fiss. Bolt Size	Coefficienti di carico (N) Load ratings (N)		Cuscinetto Bearing	Supporto Housing	Peso Weight	
	d	a	e	i	g	l	s	z	B <sub>1</sub>		Dinamico C Dynamic C	Statico C <sub>0</sub> Static C <sub>0</sub>				kg
	mm/inch										mm/inch					
<b>UKFX05+H2305</b>	<b>20</b>	108	83	18	13	30	12	39	35	M10	18525	10735	<b>UKX05+H2305</b>	<b>FX05</b>	1,2	
UKFX05+HE2305	¾	4¼	317/64	45/64	½	13/16	15/32	117/32	1,378	3/8			UKX05+HE2305			
<b>UKFX06+H2306</b>	<b>25</b>	117	92	19	14	34	16	41,5	38	M14	24415	14630	<b>UKX06+H2306</b>	<b>FX06</b>	1,6	
UKFX06+HS2306	7/8												UKX06+HS2306			
UKFX06+HE2306	1	439/64	35/8	¾	9/16	111/32	5/8	141/64	1,496	½			UKX06+HE2306			
<b>UKFX07+H2307</b>	<b>30</b>	130	102	21	14	38	16	45,5	43	M14	27645	16910	<b>UKX07+H2307</b>	<b>FX07</b>	2,0	
UKFX07+HS2307	11/8	51/8	41/64	53/64	9/16	1½	5/8	151/64	1,693	½			UKX07+HS2307			
<b>UKFX08+H2308</b>	<b>35</b>	137	105	22	14	40	19	47,5	46	M16	32395	20235	<b>UKX08+H2308</b>	<b>FX08</b>	2,3	
UKFX08+HE2308	1¼												UKX08+HE2308			
UKFX08+HS2308	13/8	513/32	49/64	55/64	9/16	19/16	¾	17/8	1,811	5/8			UKX08+HS2308			
<b>UKFX09+H2309</b>	<b>40</b>	143	111	23	14	40	19	50	50	M16	33345	22135	<b>UKX09+H2309</b>	<b>FX09</b>	2,7	
UKFX09+HA2309	15/8												UKX09+HA2309			
UKFX09+HE2309	1½	55/8	43/8	29/32	9/16	19/16	¾	131/32	1,969	5/8			UKX09+HE2309			
UKFX09+HS2309	15/8												UKX09+HS2309			
<b>UKFX10+H2310</b>	<b>45</b>	162	130	26	20	44	19	55,5	55	M16	41230	27930	<b>UKX10+H2310</b>	<b>FX10</b>	3,6	
UKFX10+HS2310	15/8												UKX10+HS2310			
UKFX10+HA2310	111/16	63/8	51/8	11/32	25/32	123/32	¾	23/16	2,165	5/8			UKX10+HA2310			
UKFX10+HE2310	1¾												UKX10+HE2310			
<b>UKFX11+H2311</b>	<b>50</b>	175	143	29	20	49	19	60	59	M16	49780	34390	<b>UKX11+H2311</b>	<b>FX11</b>	4,6	
UKFX11+HS2311	17/8												UKX11+HS2311			
UKFX11+HA2311	115/16	657/64	55/8	19/64	25/32	115/16	¾	223/64	2,323	5/8			UKX11+HA2311			
UKFX11+HE2311	2												UKX11+HE2311			
<b>UKFX12+H2312</b>	<b>55</b>	187	149	34	21	59	19	67	62	M16	54340	38095	<b>UKX12+H2312</b>	<b>FX12</b>	5,5	
UKFX12+HS2312	21/8	723/64	555/64	111/32	13/16	25/16	¾	241/64	2,441	5/8			UKX12+HS2312			
<b>UKFX13+H2313</b>	<b>60</b>	187	149	34	21	59	19	68	65	M16	59090	41895	<b>UKX13+H2313</b>	<b>FX13</b>	6,0	
UKFX13+HA2313	23/16												UKX13+HA2313			
UKFX13+HE2313	2¼	723/64	555/64	111/32	13/16	25/16	¾	211/16	2,559	5/8			UKX13+HE2313			
UKFX13+HS2313	23/8												UKX13+HS2313			
<b>UKFX15+H2315</b>	<b>65</b>	197	152	40	24	68	23	77,5	73	M20	69065	50350	<b>UKX15+H2315</b>	<b>FX15</b>	8,1	
UKFX15+HA2315	27/16												UKX15+HA2315			
UKFX15+HS2315	2½	7¾	563/64	137/64	15/16	211/16	29/32	23/64	2,874	¾			UKX15+HS2315			
<b>UKFX16+H2316</b>	<b>70</b>	214	171	40	24	70	23	80	78	M20	79800	58805	<b>UKX16+H2316</b>	<b>FX16</b>	9,5	
UKFX16+HA2316	211/16												UKX16+HA2316			
UKFX16+HS2316	2¾	87/16	647/64	137/64	15/16	2¾	29/32	35/32	3,071	¾			UKX16+HS2316			
<b>UKFX17+H2317</b>	<b>75</b>	214	171	40	24	70	23	81,5	82	M20	91295	67925	<b>UKX17+H2317</b>	<b>FX17</b>	10,4	
UKFX17+HA2317	215/16												UKX17+HA2317			
UKFX17+HE2317	3	87/16	647/64	137/64	15/16	2¾	29/32	3,228	3¾	¾			UKX17+HE2317			
<b>UKFX18+H2318</b>	<b>80</b>	214	171	45	24	76	23	88	86	M20	103550	77805	<b>UKX18+H2318</b>	<b>FX18</b>	11,4	
UKFX18+HA2318	33/16	87/16	647/64	149/64	15/16	3	29/32	315/32	3,386	¾			UKX18+HA2318			
<b>UKFX20+H2320</b>	<b>90</b>	268	211	59	31	97	31	106	97	M27	126350	99750	<b>UKX20+H2320</b>	<b>FX20</b>	18,4	
UKFX20+HA2330	3½	109/16	85/16	221/64	17/32	313/13	17/32	43/64	3,814	1			UKX20+HA2330			

Bussole HA; HE; HS con filettatura in pollici  
Inch dimension adapter sleeves HA; HE; HS

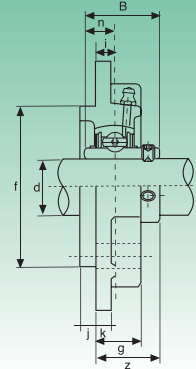
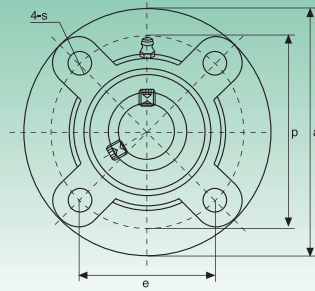




HCFC2 Serie normale - Standard duty

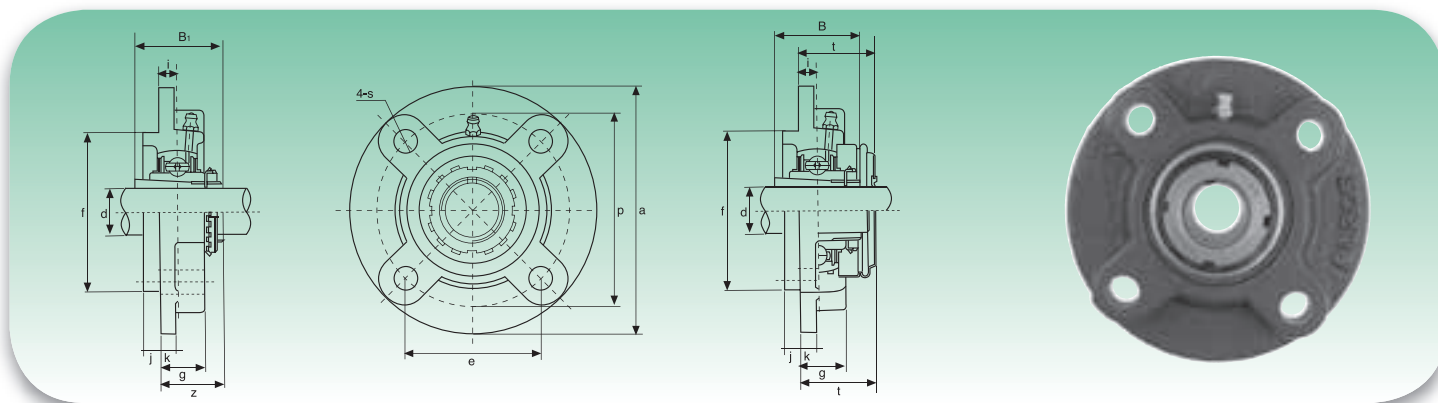


Tipo Type	Dimensioni - Dimensions													Bull. fiss. Bolt Size	Coefficients di carico (N) Load ratings (N)		Cuscinetto Bearing	Supporto Housing	Peso Weight
	d	a	p	e	i	s	j	k	g	f	z	B <sub>1</sub>	n		Dinamico C Dynamic C	Statico C <sub>0</sub> Static C <sub>0</sub>			
	mm/inch														mm/inch				
<b>HCFC204</b>	<b>12</b>	100	78	55,1	10	12	5	7	20,5	62	36,6	43,7	17,1	M10	12160	6318	<b>HC204</b>	<b>FC204</b>	0,76
HCFC204-12	¾	315/16	35/64	211/64	25/64	15/32	13/64	9/32	13/16	2,4409	17/16	1,720	0,673	3/8			HC204-12		0,76
<b>HCFC205</b>	<b>25</b>	115	90	63,6	10	12	6	7	21	70	36,9	44,4	17,5	M10	13300	7457	<b>HC205</b>	<b>FC205</b>	1,07
HCFC205-13	13/16																HC205-13		1,12
HCFC205-14	7/8	417/32	335/64	2½	25/64	15/32	15/64	9/32	53/64	2,7559	129/64	1,748	0,689	3/8			HC205-14		1,11
HCFC205-15	15/16																HC205-15		1,09
HCFC205-16	1																HC205-16		1,07
<b>HCFC206</b>	<b>30</b>	125	100	70,7	10	12	8	8	23	80	40,1	48,4	18,3	M10	18525	10735	<b>HC206</b>	<b>FC206</b>	1,43
HCFC206-17	11/16																HC206-17		1,48
HCFC206-18	11/8	459/64	315/16	225/32	25/64	15/32	5/16	5/16	29/32	3,1496	137/64	1,906	0,720	3/8			HC206-18		1,45
HCFC206-19	13/16																HC206-19		1,43
HCFC206-20	1¼																HC206-20		1,40
<b>HCFC207</b>	<b>35</b>	135	110	77,8	11	14	8	9	26	90	43,3	51,1	18,8	M12	24415	14630	<b>HC207</b>	<b>FC207</b>	1,93
HCFC207-20	1¼																HC207-20		2,00
HCFC207-21	15/16	15/16	421/64	31/16	7/16	35/64	5/16	23/64	11/32	3,5433	145/64	2,012	0,740	7/16			HC207-21		1,96
HCFC207-22	13/8																HC207-22		1,93
HCFC207-23	17/16																HC207-23		1,87
<b>HCFC208</b>	<b>40</b>	145	120	84,8	11	14	10	9	26	100	45,9	56,3	21,4	M12	27645	16910	<b>HC208</b>	<b>FC208</b>	2,29
HCFC208-24	1½																HC208-24		2,34
HCFC208-25	19/16	545/64	423/32	311/32	7/16	35/64	25/64	23/64	11/32	3,9370	113/16	2,217	0,843	7/16			HC208-25		2,30
<b>HCFC209</b>	<b>45</b>	160	132	93,3	10	16	12	14	26	105	44,9	56,3	21,4	M14	32395	20235	<b>HCF209</b>	<b>FC209</b>	2,85
HCFC209-26	15/8																HC209-26		2,96
HCFC209-27	111/16	6619/64	513/64	343/64	25/64	5/8	15/32	35/64	11/32	4,1339	149/64	2,217	0,843	½			HC209-27		2,91
HCFC209-28	1¾																HC209-28		2,87
<b>HCFC210</b>	<b>50</b>	165	138	97,6	10	16	12	14	28	110	48,1	62,7	24,6	M14	33345	22135	<b>HCF210</b>	<b>FC210</b>	3,09
HCFC210-29	113/16																HC210-29		3,24
HCFC210-30	17/8	6½	57/16	327/32	25/64	5/8	15/32	35/94	17/64	4,3307	157/64	2,469	0,969	½			HC210-30		3,18
HCFC210-31	115/16																HC210-31		3,12
HCFC210-32	2																HC210-32		3,06
<b>HCFC211</b>	<b>55</b>	185	150	106,1	13	19	12	15	31	125	56,6	71,4	27,8	M16	41230	27930	<b>HCF211</b>	<b>FC211</b>	4,22
HCFC211-32	2																HC211-32		4,42
HCFC211-33	22/16	79/32	529/32	43/16	33/64	¾	15/32	19/32	17/32	4,9213	215/64	2,811	1,094	5/8			HC211-33		4,34
HCFC211-34	21/8																HC211-34		4,27
HCFC211-35	23/16																HC211-35		4,19
<b>HCFC212</b>	<b>60</b>	195	160	113,1	17	19	12	15	36	135	63,8	77,8	31	M16	49780	34390	<b>HC212</b>	<b>FC212</b>	5,28
HCFC212-36	2¼																HC212-36		5,44
HCFC212-37	25/16	711/16	619/64	429/64	43/64	¾	15/32	19/32	127/64	5,3150	233/64	3,063	1,220	5/8			HC212-37		5,35
HCFC212-38	23/8																HC212-38		5,30
HCFC212-39	27/16																HC212-39		5,17
<b>HCFC213</b>	<b>65</b>	205	170	120,2	16	19	14	15	36	145	67,6	85,7	34,1	M16	54340	38095	<b>HC213</b>	<b>FC213</b>	6,21
HCFC213-40	2½																HC213-40		6,31
HCFC213-41	29/16	85/64	611/16	447/64	5/8	¾	35/64	19/32	127/64	5,5118	221/32	3,374	1,343	5/8			HC213-41		6,20
<b>HCFC214</b>	<b>70</b>	215	177	125,1	17	19	14	18	40	150	68,6	85,7	34,1	M16	59090	41895	<b>HC214</b>	<b>FC214</b>	7,45
HCFC214-42	23/8																HC214-42		7,69
HCFC214-43	211/16	815/32	631/32	459/64	43/64	¾	35/64	23/32	137/64	5,9055	245/64	3,374	1,343	5/8			HC214-43		7,58
HCFC214-44	2¾																HC214-44		7,46
<b>HCFC215</b>	<b>75</b>	220	184	130,1	18	19	16	18	40	160	72,8	92,1	37,3	M16	64030	45885	<b>HC215</b>	<b>FC215</b>	8,19
HCFC215-45	213/16																HC215-45		8,49
HCFC215-46	27/8	821/32	7¼	51/8	23/32	¾	5/8	23/32	137/64	6,2992	27/8	3,626	1,469	5/8			HC215-46		8,36
HCFC215-47	215/16																HC215-47		8,23
HCFC215-48	3																HC215-48		8,09

**UCFCX Serie media - Medium duty**


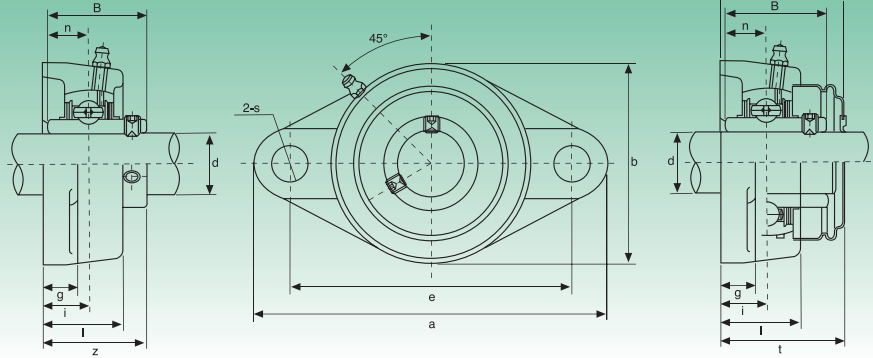
Tipo Type	Dimensioni - Dimensions													Bull. fiss. Bolt Size	Coefficients di carico (N) Load ratings (N)		Cuscinetto Bearing	Supporto Housing	Peso Weight kg
	d	a	p	e	i	s	j	k	g	f	z	B	n		Dinamico C Dynamic C	Statico C <sub>0</sub> Static C <sub>0</sub>			
	mm/inch														mm/inch				
<b>UCFCX05</b> UCFCX05-13 UCFCX05-14 UCFCX05-15 UCFCX05-16	25 13/16 7/8 15/16 1	111	92	65	10	9,5	6	9,5	24	76	32,2	38,1	15,9	M8	18525	10735	UCX05 UCX05-13 UCX05-14 UCX05-15 UCX05-16	FCX05	1,2
<b>UCFCX06</b> UCFCX06-17 UCFCX06-18 UCFCX06-19 UCFCX06-20	30 11/16 11/8 13/16 1 1/4	127	105	74,2	8	12	9,5	9,5	22,5	85	33,4	42,9	17,5	M10	24415	14630	UCX06 UCX06-17 UCX06-18 UCX06-19 UCX06-20	FCX06	1,5
<b>UCFCX07</b> UCFCX07-21 UCFCX07-22 UCFCX07-23	35 15/16 13/8 17/16	133	111	78,5	9	12	11	11	26	92	39,2	49,2	19	M10	27645	16910	UCX07 UCX07-21 UCX07-22 UCX07-23	FCX07	1,9
<b>UCFCX08</b> UCFCX08-24 UCFCX08-25	40 1 1/2 19/16	133	111	78,5	9	12	11	11	26	92	39,2	49,2	19	M10	32395	20235	UCX08 UCX08-24 UCX08-25	FCX08	2,0
<b>UCFCX09</b> UCFCX09-26 UCFCX09-27 UCFCX09-28 UCFCX09-29	45 15/8 111/16 1 3/4 113/16	155	130	91,9	8	14	12	11	25	108	40,6	51,6	19	M12	33345	22135	UCX09 UCX09-26 UCX09-27 UCX09-28 UCX09-29	FCX09	2,6
<b>UCFCX10</b> UCFCX10-30 UCFCX10-31 UCFCX10-32	50 17/8 115/16 2	162	136	96,2	7	14	16	11	25	118	40,4	55,6	22,2	M12	41230	27930	UCX10 UCX10-30 UCX10-31 UCX10-32	FCX10	3,2
<b>UCFCX11</b> UCFCX11-33 UCFCX11-34 UCFCX11-35 UCFCX11-36 UCFCX11-37	55 21/16 21/8 23/16 2 1/4 25/16	180	152	107,5	4	16	22	13	26	127	43,7	65,1	25,4	M14	49780	34390	UCX11 UCX11-33 UCX11-34 UCX11-35 UCX11-36 UCX11-37	FCX11	4,3
<b>UCFCX12</b> UCFCX12-38 UCFCX12-39	60 23/8 27/16	194	165	116,7	11	16	20	14	33	140	50,7	65,1	25,4	M14	54340	38095	UCX12 UCX12-38 UCX12-39	FCX12	5,3
<b>UCFCX13</b> UCFCX13-40 UCFCX13-41	65 2 1/2 29/16	194	165	116,7	11	16	20	14	33	140	55,4	74,6	30,2	M14	59090	41895	UCX13 UCX13-40 UCX13-41	FCX13	5,7
<b>UCFCX14</b> UCFCX14-42 UCFCX14-43 UCFCX14-44	70 25/8 21/16 2 3/4	222	190	134,3	14	19	20	14	36	164	58,5	77,8	33,3	M16	64030	45885	UCX14 UCX14-42 UCX14-43 UCX14-44	FCX14	7,3
<b>UCFCX15</b> UCFCX15-45 UCFCX15-46 UCFCX15-47 UCFCX15-48	75 213/16 27/8 215/16 3	222	190	134,3	12	19	22	16	35	164	61,3	82,6	33,3	M16	69065	50350	UCX15 UCX15-45 UCX15-46 UCX15-47 UCX15-48	FCX15	8
<b>UCFCX16</b> UCFCX16-49 UCFCX16-50 UCFCX16-51 UCFCX16-52	80 31/16 31/8 33/16 3 1/4	260	219	154,8	10	23	25	19	36	186	61,6	85,7	34,1	M20	79800	58805	UCX16 UCX16-49 UCX16-50 UCX16-51 UCX16-52	FCX16	11,3
<b>UCFCX17</b> UCFCX17-53 UCFCX17-55	85 35/16 37/16	260	219	154,8	10	23	25	19	36	186	66,3	96	39,7	M20	91295	67925	UCX17 UCX17-53 UCX17-55	FCX17	12,9
<b>UCFCX18</b> UCFCX18-56 UCFCX18-57	90 37/16 3 1/2	260	219	154,8	12	23	28	19	43	186	73,1	104	42,9	M20	103550	77805	UCX18 UCX18-56 UCX18-57	FCX18	12
<b>UCFCX20</b> UCFCX20-58 UCFCX20-59 UCFCX20-60 UCFCX20-61	100 313/16 37/8 315/16 4	276	238	168,3	22	23	28	22	66	206	90,3	117,5	49,2	M20	126350	99750	UCX20 UCX20-58 UCX20-59 UCX20-60 UCX20-61	FCX20	16

UKFC2 Serie normale - Standard duty



Tipo Type	Dimensioni - Dimensions														Bull. fiss. Bolt Size	Coefficients di carico (N) Load ratings (N)		Cuscinetto Bearing	Supporto Housing	Peso Weight
	d	a	p	e	i	s	j	k	g	f	z	t	B <sub>1</sub>	Dinamico C Dynamic C <sub>d</sub>		Statico C <sub>0</sub> Static C <sub>0</sub>	kg			
	mm/inch																			
UKFC205+H2305	20	115	90	63,6	10	12	6	7	21	70	29,5	34	35	M10	13300	7457	UK205+H2305	FC205	1,05	
UKFC205+HE2305	¾	417/32	335/64	2½	15/64	15/32	15/64	9/32	53/64	2,7559	15/32	111/32	1,378	3/8			UK205+HE2305			
UKFC206+H2306	25	125	100	70,7	10	12	8	8	23	80	31	36,5	38	M10	18525	10735	UK206+H2306	FC206	1,34	
UKFC206+HS2306	7/8	459/64	315/16	225/32	25/64	15/32	5/16	5/16	29/32	3,1496	17/32	17/16	1,496	3/8			UK206+HS2306			
UKFC206+HE2306	1														UK206+HE2306					
UKFC207+H2307	30	135	110	77,8	11	14	8	9	26	90	33,5	41	43	M12	24415	14630	UK207+H2307	FC207	1,90	
UKFC207+HS2307	11/8	55/6	421/64	31/16	7/16	35/64	5/16	23/64	11/32	3,5433	15/16	15/8	1,693	7/16			UK207+HS2307			
UKFC208+H2308	35	145	120	84,8	11	14	10	9	26	100	35,5	45,5	46	M12	27645	16910	UK208+H2308	FC208	2,24	
UKFC208+HE2308	1¼	545/64	423/32	311/32	7/16	35/64	25/64	23/64	11/32	3,9370	125/64	151/64	1,811	7/16			UK208+HE2308			
UKFC208+HS2308	13/8														UK208+HS2308					
UKFC209+H2309	40	160	132	93,3	10	16	12	14	26	105	36	44,5	50	M14	32395	20235	UK209+H2309	PFC209	2,83	
UKFC209+HA2309	17/16																UK209+HA2309			
UKFC209+HE2309	1½	619/64	513/64	343/64	25/64	5/8	15/32	35/64	11/32	4,1339	127/64	1¾	1,969	½	UK209+HE2309					
UKFC209+HS2309	15/8														UK209+HS2309					
UKFC210+H2310	45	165	138	97,6	10	16	12	14	28	110	37,5	47,5	55	M14	33345	22135	UK210+H2310	FC210	3,07	
UKFC210+HS2310	15/8																UK210+HS2310			
UKFC210+HA2310	111/16	6½	57/16	327/32	25/64	5/8	15/32	35/64	17/64	4,3307	115/32	17/8	2,165	½	UK210+HA2310					
UKFC210+HE2310	1¾														UK210+HE2310					
UKFC211+H2311	50	185	150	106,1	13	19	12	15	31	125	41,5	51	59	M16	41230	27930	UK211+H2311	FC211	4,16	
UKFC211+HS2311	17/8																UK211+HS2311			
UKFC211+HA2311	115/16	79/32	529/32	43/16	33/64	¾	15/32	19/32	17/32	4,9213	141/64	21/64	2,323	5/8	UK211+HA2311					
UKFC211+HE2311	2														UK211+HE2311					
UKFC212+H2312	55	195	160	113,1	17	19	12	15	36	135	48	61,5	62	M16	49780	34390	UK212+H2312	FC212	4,99	
UKFC212+HS2312	21/8	711/16	619/64	429/64	43/64	¾	15/32	19/32	127/64	5,3150	157/64	227/64	2,441	5/8			UK212+HS2312			
UKFC213+H2313	60	205	170	120,2	16	19	14	15	36	145	49	60,5	65	M16	54340	38095	UK213+H2313	FC213	5,56	
UKFC213+HA2313	23/16																UK213+HA2313			
UKFC213+HE2313	2¼	85/64	611/16	447/64	5/8	¾	35/64	19/32	127/64	5,5118	115/16	225/64	2,559	5/8	UK213+HE2313					
UKFC213+HS2313	23/8														UK213+HS2313					
UKFC215+H2315	65	220	184	130,1	18	19	16	18	40	160	53,5	-	73	M16	64030	45885	UK215+H2315	FC215	7,67	
UKFC215+HA2315	27/16																UK215+HA2315			
UKFC215+HE2315	2½	821/32	7¼	51/8	23/32	¾	5/8	23/32	137/64	6,2992	27/64	-	2,874	5/8	UK215+HE2315					
UKFC216+H2316	70	240	200	141,4	18	23	16	18	42	170	57	-	78	M20	69065	50350	UK216+H2316	FC216	9,41	
UKFC216+HA2316	211/16																UK216+HA2316			
UKFC216+HE2316	2¾	929/64	77/8	59/16	23/32	29/32	5/8	23/32	121/32	6,6929	2¼	-	3,071	¾	UK216+HE2316					
UKFC217+H2317	75	250	208	147,1	18	23	18	20	45	180	59	-	82	M20	79800	58805	UK217+H2317	FC217	11,23	
UKFC217+HA2317	215/16																UK217+HA2317			
UKFC217+HE2317	3	927/32	83/16	551/64	23/32	29/32	23/32	25/32	125/32	7,0866	221/64	-	3,228	¾	UK217+HE2317					
UKFC218+H2318	80	265	220	155,5	22	23	18	20	50	190	64,5	-	86	M20	91295	67925	UK218+H2318	FC218	13,34	
UKFC218+HA2318	33/16	107/16	821/32	61/8	55/64	29/32	23/32	25/32	131/32	7,4803	335/64	-	3,386	¾			UK218+HA2318			

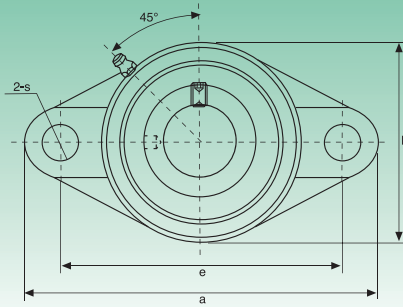
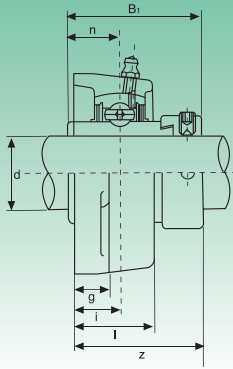
Bussole HA; HE; HS con filettatura in pollici  
Inch dimension adapter sleeves HA; HE; HS



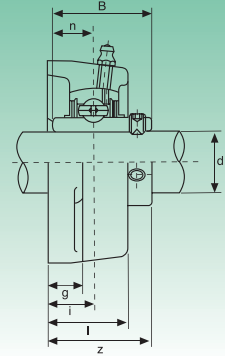
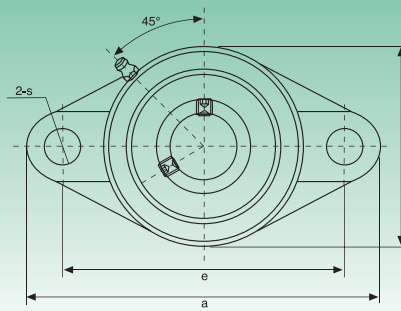
Tipo Type	Dimensioni - Dimensions												Bull. fiss. Bolt Size	Coefficienti di carico (N) Load ratings (N)		Cuscinetto Bearing	Supporto Housing	Peso Weight
	d	a	e	i	g	l	s	b	z	t	B	n		Dinamico C Dynamic C	Statico C <sub>0</sub> Static C <sub>0</sub>			
	mm/inch													mm/inch				
UCFL201	12	113	90	15	11	25,5	12	60	33,3	37,5	31	12,7	M10	12160	6318	UC201	FL204	0,45
UCFL201-8	½	47/16	335/64	19/32	7/16	1	15/32	23/8	15/16	131/64	1,2205	0,500	3/8			UC201-8		0,44
UCFL202	15	113	90	15	11	25,5	12	60	33,3	37,5	31	12,7	M10	12160	6318	UC202	FL204	0,44
UCFL202-9	9/16	47/16	335/64	19/32	7/16	1	15/32	23/8	15/16	131/64	1,2205	0,500	3/8			UC202-9		0,44
UCFL202-10	5/8															UC202-10		0,44
UCFL203	17	113	90	15	11	25,5	12	60	33,3	37,5	31	12,7	M10	12160	6318	UC203	FL204	0,43
UCFL203-11	11/16	47/16	335/64	19/32	7/16	1	15/32	23/8	15/16	131/64	1,2205	0,500	3/8			UC203-11		0,42
UCFL204	20	113	90	15	11	25,5	12	60	33,3	37,5	31	12,7	M10	12160	6318	UC204	FL204	0,41
UCFL204-12	¾	47/16	335/64	19/32	7/16	1	15/32	23/8	15/16	131/64	1,2205	0,500	3/8			UC204-12		0,41
UCFL205	25	130	99	16	13	27	16	68	35,8	40	34,1	14,3	M14	13300	7457	UC205	FL205	0,58
UCFL205-13	13/16															UC205-13		0,62
UCFL205-14	7/8	51/8	357/64	5/8	½	11/16	5/8	211/16	113/32	19/16	1,3425	0,563	½			UC205-14		0,61
UCFL205-15	15/16															UC205-15		0,59
UCFL205-16	1															UC205-16		0,58
UCFL206	30	148	117	18	13	31	16	80	40,2	44,5	38,1	15,9	M14	18525	10735	UC206	FL206	0,86
UCFL206-17	11/16															UC206-17		0,89
UCFL206-18	11/8	513/16	439/64	45/64	½	17/32	5/8	35/32	119/32	1¾	1,5000	0,626	½			UC206-18		0,88
UCFL206-19	13/16															UC206-19		0,86
UCFL206-20	1¼															UC206-20		0,85
UCFL207	35	161	130	19	14	34	16	90	44,4	48,5	42,9	17,5	M14	24415	14630	UC207	FL207	1,08
UCFL207-20	1¼															UC207-20		1,14
UCFL207-21	15/16	611/32	51/8	¾	35/64	113/32	5/8	335/64	1¾	129/32	1,6890	0,689	½			UC207-21		1,11
UCFL207-22	13/8															UC207-22		1,08
UCFL207-23	17/16															UC207-23		1,05
UCFL208	40	175	144	21	14	36	16	100	51,2	55,5	49,2	19	M14	27645	16910	UC208	FL208	1,44
UCFL208-24	1½	67/8	543/64	53/64	35/64	113/32	5/8	315/16	21/64	23/16	1,9370	0,748	½			UC208-24		1,48
UCFL208-25	19/16															UC208-25		1,45
UCFL209	45	188	148	22	15	38	19	108	52,2	56,5	49,2	19	M16	32395	20235	UC209	FL209	1,74
UCFL209-26	15/8															UC209-26		1,84
UCFL209-27	111/16	713/32	553/64	55/64	19/32	1½	¾	4¼	21/16	27/32	1,9370	0,748	5/8			UC209-27		1,80
UCFL209-28	1¾															UC209-28		1,76
UCFL210	50	197	157	22	15	40	19	115	54,6	59,5	51,6	19	M16	33345	22135	UC210	FL210	2,10
UCFL210-29	113/16															UC210-29		2,22
UCFL210-30	17/8	7¾	63/16	55/64	19/32	137/64	¾	417/32	25/32	211/32	2,0315	0,748	5/8			UC210-30		2,17
UCFL210-31	115/16															UC210-31		2,12
UCFL210-32	2															UC210-32		2,08
UCFL211	55	224	184	25	18	43	19	130	58,4	63	55,6	22,2	M16	41230	27930	UC211	FL211	2,91
UCFL211-32	2															UC211-32		3,06
UCFL211-33	21/16	813/16	7¼	63/64	23/32	111/16	¾	51/6	25/16	215/32	2,1890	0,874	5/8			UC211-33		3,00
UCFL211-34	21/8															UC211-34		2,95
UCFL211-35	23/16															UC211-35		2,89
UCFL212	60	250	202	29	18	48	23	140	68,7	73,5	65,1	25,4	M20	49780	34390	UC212	FL212	3,74
UCFL212-36	2¼															UC212-36		3,87
UCFL212-37	25/16	927/32	761/64	19/64	23/32	17/8	29/32	5½	223/32	257/64	2,5630	1,000	¾			UC212-37		3,79
UCFL212-38	23/8															UC212-38		3,72
UCFL212-39	27/16															UC212-39		3,65
UCFL213	65	258	210	30	22	50	23	155	69,7	74,5	65,1	25,4	M20	54340	38095	UC213	FL213	4,57
UCFL213-40	2½	105/32	817/64	13/16	7/8	131/32	29/32	63/32	2¾	215/16	2,5630	1,000	¾			UC213-40		4,66
UCFL213-41	29/16															UC213-41		4,57
UCFL214	70	265	216	31	22	54	23	160	75,4	-	74,6	30,2	M20	59090	41895	UC214	FL214	5,11
UCFL214-42	25/8															UC214-42		5,32
UCFL214-43	211/16	107/16	8½	17/32	7/8	21/8	29/32	65/16	231/32	-	2,9370	1,189	¾			UC214-43		5,22
UCFL214-44	2¾															UC214-44		5,12
UCFL215	75	275	225	34	22	56	23	165	78,5	-	77,8	33,3	M20	64030	45885	UC215	FL215	5,37
UCFL215-45	213/16															UC215-45		5,62
UCFL215-46	27/8	1013/16	855/64	111/32	7/8	27/32	29/32	6½	33/32	-	3,0630	1,311	¾			UC215-46		5,51
UCFL215-47	215/16															UC215-47		5,40
UCFL215-48	3															UC215-48		5,28
UCFL216	80	290	233	34	22	58	25	180	83,3	-	82,6	33,3	M22	69065	50350	UC216	FL216	7,20
UCFL216-49	31/16															UC216-49		7,38
UCFL216-50	31/8	1113/32	911/64	111/32	7/8	29/32	63/64	73/32	39/32	-	3,2520	1,311	7/8			UC216-50		7,25
UCFL216-51	31/16															UC216-51		7,12
UCFL217	85	305	248	36	24	63	25	190	87,6	-	85,7	34,1	M22	79800	58805	UC217	FL217	8,61
UCFL217-52	3¼															UC217-52		8,83
UCFL217-53	35/16	12	949/64	127/64	15/16	215/32	63/64	715/32	37/16	-	3,3740	1,343	7/8			UC217-53		8,69
UCFL217-55	37/16															UC217-55		8,40
UCFL218	90	320	265	40	24	68	25	205	96,3	-	96	39,7	M22	91295	67925	UC218	FL218	10,51
UCFL218-56	3½	1219/32	1071/16	137/64	15/16	211/16	63/64	81/16	325/32	-	3,7795	1,5630	7/8			UC218-56		10,62

Disponibile in acciaio inox Supporto: AISI 304 - Cuscinetto: AISI 440C o 420C - Available stainless steel Housing: AISI 304 - Bearing: AISI 440C or 420C  
 Disponibile su richiesta con cuscinetto SA (SAFL) - Available under request with SA bearing (SAFL)

HCFL2 Serie normale - Standard duty

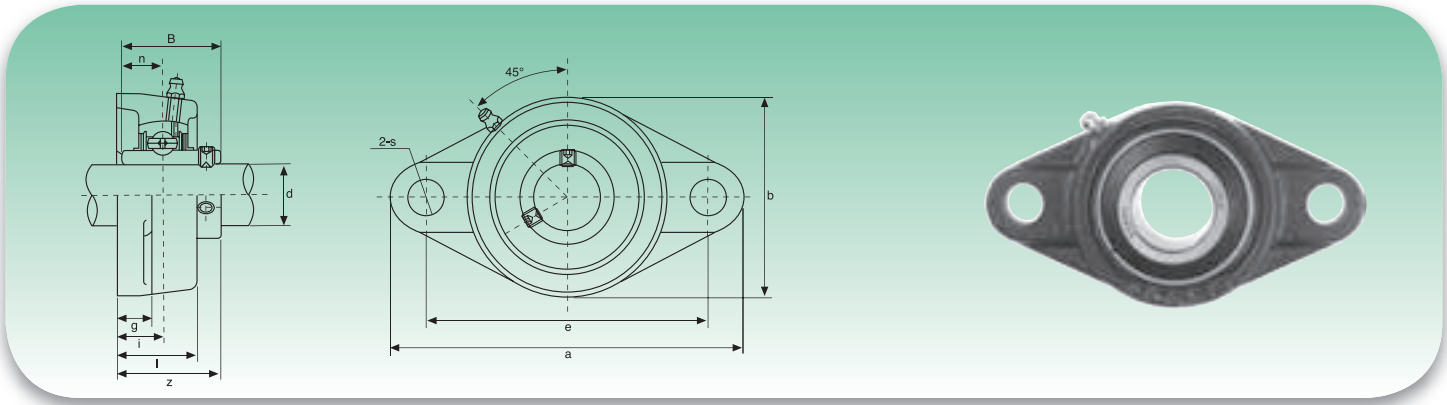


Tipo Type	Dimensioni - Dimensions											Bull. fiss. Bolt Size	Coefficienti di carico (N) Load ratings (N)		Cuscinetto Bearing	Supporto Housing	Peso Weight
	d	a	e	i	g	l	s	b	z	B <sub>1</sub>	n		Dinamico C Dynamic C	Statico C <sub>0</sub> Static C <sub>0</sub>			
	mm/inch												mm/inch				
<b>HCFL204</b>	<b>20</b>	113	90	15	11	25,5	12	60	41,6	43,7	17,1	M10	12160	6318	<b>HC204</b>	<b>FL204</b>	0,48
HCFL204-12	¾	47/16	335/64	19/32	7/16	1	15/32	23/8	141/64	1,720	0,673	3/8			HC204-12		0,48
<b>HCFL205</b>	<b>25</b>	130	99	16	13	27	16	68	42,9	44,4	17,5	M14	13300	7457	<b>HC205</b>	<b>FL205</b>	0,65
HCFL205-13	13/16														HC205-13		0,70
HCFL205-14	7/8	51/8	357/64	5/8	½	11/16	5/8	211/16	111/16	1,748	0,689	½	13300	7457	HC205-14	FL205	0,69
HCFL205-15	15/16														HC205-15		0,67
HCFL205-16	1														HC205-16		0,65
<b>HCFL206</b>	<b>30</b>	148	117	18	13	31	16	80	48,1	48,4	18,3	M14	18525	10735	<b>HC206</b>	<b>FL206</b>	0,99
HCFL206-17	11/16														HC206-17		1,04
HCFL206-18	11/8	513/16	439/64	45/64	½	17/32	5/8	35/32	157/64	1,906	0,720	½	18525	10735	HC206-18	FL206	1,01
HCFL206-19	13/16														HC206-19		0,99
HCFL206-20	1¼														HC206-20		0,96
<b>HCFL207</b>	<b>35</b>	161	130	19	14	34	16	90	51,3	51,1	18,8	M14	24415	14630	<b>HC207</b>	<b>FL207</b>	1,20
HCFL207-20	1¼														HC207-20		1,27
HCFL207-21	15/16	611/32	51/8	¾	35/64	111/32	5/8	335/64	21/64	2,012	0,740	½	24415	14630	HC207-21	FL207	1,23
HCFL207-22	13/8														HC207-22		1,20
HCFL207-23	17/16														HC207-23		1,17
<b>HCFL208</b>	<b>40</b>	175	144	21	14	36	16	100	55,9	56,3	21,4	M14	27645	16910	<b>HC208</b>	<b>FL208</b>	1,59
HCFL208-24	1½	67/8	543/64	53/64	35/64	113/32	5/8	315/16	213/64	2,217	0,843	½	27645	16910	HC208-24	FL208	1,64
HCFL208-25	19/16														HC208-25		1,60
<b>HCFL209</b>	<b>45</b>	188	148	22	15	38	19	108	56,9	56,3	21,4	M14	32395	20235	<b>HCF209</b>	<b>FL209</b>	1,91
HCFL209-26	15/8														HC209-26		2,02
HCFL209-27	111/16	713/32	553/64	55/64	19/32	1½	¾	4¼	215/64	2,217	0,843	½	32395	20235	HC209-27	FL209	1,97
HCFL209-28	1¾														HC209-28		1,93
<b>HCFL210</b>	<b>50</b>	197	157	22	15	40	19	115	60,1	62,7	24,6	M16	33345	22135	<b>HCF210</b>	<b>FL210</b>	2,29
HCFL210-29	113/16														HC210-29		2,44
HCFL210-30	17/8	7¾	63/16	55/64	19/32	137/64	¾	417/32	223/64	2,469	0,969	5/8	33345	22135	HC210-30	FL210	2,38
HCFL210-31	115/16														HC210-31		2,32
HCFL210-32	2														HC210-32		2,26
<b>HCFL211</b>	<b>55</b>	224	184	25	18	43	19	130	68,6	71,4	27,8	M16	41230	27930	<b>HCF211</b>	<b>FL211</b>	3,12
HCFL211-32	2														HC211-32		3,32
HCFL211-33	22/16	813/16	7¼	63/64	23/32	111/16	¾	51/8	245/64	2,811	1,094	5/8	41230	27930	HC211-33	FL211	3,24
HCFL211-34	21/8														HC211-34		3,17
HCFL211-35	23/16														HC211-35		3,09
<b>HCFL212</b>	<b>60</b>	250	202	29	18	48	23	140	75,8	77,8	31	M20	49780	34390	<b>HC212</b>	<b>FL212</b>	4,08
HCFL212-36	2¼														HC212-36		4,24
HCFL212-37	25/16	927/32	761/64	19/64	23/32	17/8	29/32	5½	263/64	3,063	1,220	¾	49780	34390	HC212-37	FL212	4,15
HCFL212-38	23/8														HC212-38		4,10
HCFL212-39	27/16														HC212-39		3,97
<b>HCFL213</b>	<b>65</b>	258	210	30	22	50	23	155	81,6	85,7	34,1	M20	54340	38095	<b>HC213</b>	<b>FL213</b>	5,13
HCFL213-40	2½														HC213-40		5,23
HCFL213-41	29/16	105/32	817/64	13/16	7/8	131/32	29/32	63/32	37/32	3,374	1,343	¾	54340	38095	HC213-41	FL213	5,12
<b>HCFL214</b>	<b>70</b>	265	216	31	22	54	23	160	82,6	85,7	34,1	M20	59090	41895	<b>HC214</b>	<b>FL214</b>	5,61
HCFL214-42	23/8														HC214-42		5,85
HCFL214-43	211/16	107/16	8½	17/32	7/8	21/8	29/32	65/16	3¼	3,374	1,343	¾	59090	41895	HC214-43	FL214	5,74
HCFL214-44	2¾														HC214-44		5,62
<b>HCFL215</b>	<b>75</b>	275	225	34	22	56	23	165	88,8	92,1	37,3	M20	64030	45885	<b>HC215</b>	<b>FL215</b>	6,00
HCFL215-45	213/16														HC215-45		6,30
HCFL215-46	27/8	1013/16	855/64	111/32	7/8	27/32	29/32	6½	3½	3,626	1,426	¾	64030	45885	HC215-46	FL215	6,17
HCFL215-47	215/16														HC215-47		6,04
HCFL215-48	3														HC215-48		5,90



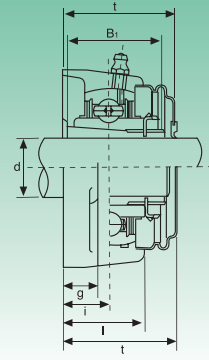
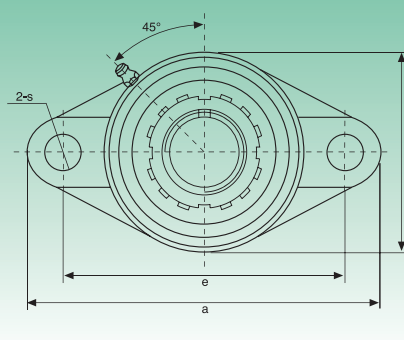
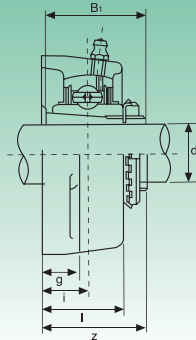
Tipo Type	Dimensioni - Dimensions											Bull. fiss. Bolt Size	Coefficients di carico (N) Load ratings (N)		Cuscinetto Bearing	Supporto Housing	Peso Weight kg
	d	a	e	i	g	l	s	b	z	B	n		Dinamico C Dynamic C	Statico C <sub>0</sub> Static C <sub>0</sub>			
	mm/inch												mm/inch				
<b>UCFL305</b> UCFL305-13 UCFL305-14 UCFL305-15 UCFL305-16	<b>25</b> 13/16 7/8 15/16 1	150	113	16	13	29	19	80	39	38	15	M16			<b>UC305</b> UC305-13 UC305-14 UC305-15 UC305-16	<b>FL305</b>	1,1
<b>UCFL306</b> UCFL306-17 UCFL306-18 UCFL306-19	<b>30</b> 11/16 11/8 13/16	180	134	18	15	32	23	90	44	43	17	M20			<b>UC306</b> UC306-17 UC306-18 UC306-19	<b>FL306</b>	1,5
<b>UCFL307</b> UCFL307-20 UCFL307-21 UCFL307-22 UCFL307-23	<b>35</b> 1 1/4 15/16 13/8 17/16	185	141	20	16	36	23	100	49	48	19	M20			<b>UC307</b> UC307-20 UC307-21 UC307-22 UC307-23	<b>FL307</b>	1,9
<b>UCFL308</b> UCFL308-24 UCFL308-25	<b>40</b> 1 1/2 19/16	200	158	23	17	40	23	112	56	52	19	M20			<b>UC308</b> UC308-24 UC308-25	<b>FL308</b>	2,5
<b>UCFL309</b> UCFL309-26 UCFL309-27 UCFL309-28	<b>45</b> 15/8 111/16 1 3/4	230	177	25	18	44	25	125	60	57	22	M22			<b>UC309</b> UC309-26 UC309-27 UC309-28	<b>FL309</b>	3,4
<b>UCFL310</b> UCFL310-29 UCFL310-30 UCFL310-31	<b>50</b> 113/16 17/8 115/16	240	187	28	19	48	25	140	67	61	22	M22			<b>UC310</b> UC310-29 UC310-30 UC310-31	<b>FL310</b>	4,4
<b>UCFL311</b> UCFL311-32 UCFL311-33 UCFL311-34 UCFL311-35	<b>55</b> 2 21/16 21/8 23/16	250	198	30	20	52	25	150	71	66	25	M22			<b>UC311</b> UC311-32 UC311-33 UC311-34 UC311-35	<b>FL311</b>	5,1
<b>UCFL312</b> UCFL312-36 UCFL312-37 UCFL312-38 UCFL312-39	<b>60</b> 2 1/4 25/16 23/8 27/16	270	212	33	22	56	31	160	78	71	26	M27			<b>UC312</b> UC312-36 UC312-37 UC312-38 UC312-39	<b>FL312</b>	6,1
<b>UCFL313</b> UCFL313-40 UCFL313-41	<b>65</b> 2 1/2 29/16	295	240	33	25	58	31	175	78	75	30	M27			<b>UC313</b> UC313-40 UC313-41	<b>FL313</b>	7,8
<b>UCFL314</b> UCFL314-42 UCFL314-43 UCFL314-44	<b>70</b> 25/8 211/16 2 3/4	315	250	36	28	61	35	185	81	78	33	M30			<b>UC314</b> UC314-42 UC314-43 UC314-44	<b>FL314</b>	9,0
<b>UCFL315</b> UCFL315-45 UCFL315-46 UCFL315-47 UCFL315-48	<b>75</b> 213/16 27/8 215/16 3	320	260	39	30	66	35	195	89	82	32	M30			<b>UC315</b> UC315-45 UC315-46 UC315-47 UC315-48	<b>FL315</b>	10
<b>UCFL316</b> UCFL316-49 UCFL316-50 UCFL316-51	<b>80</b> 31/16 31/8 33/16	355	285	38	32	68	38	210	90	86	34	M33			<b>UC316</b> UC316-49 UC316-50 UC316-51	<b>FL316</b>	13
<b>UCFL317</b> UCFL317-52 UCFL317-53 UCFL317-55	<b>85</b> 3 1/4 35/16 37/16	370	300	44	32	74	38	220	100	96	40	M33			<b>UC317</b> UC317-52 UC317-53 UC317-55	<b>FL317</b>	15
<b>UCFL318</b> UCFL318-55 UCFL318-56	<b>90</b> 37/16 3 1/2	385	315	44	36	76	38	235	100	96	40	M33			<b>UC318</b> UC318-55 UC318-56	<b>FL318</b>	18
<b>UCFL319</b> UCFL319-58 UCFL319-59 UCFL319-60	<b>95</b> 35/8 311/16 3 3/4	405	330	59	40	94	41	250	121	103	41	M36			<b>UC319</b> UC319-58 UC319-59 UC319-60	<b>FL319</b>	22
<b>UCFL320</b> UCFL320-61 UCFL320-62 UCFL320-63 UCFL320-64	<b>100</b> 313/16 37/8 315/16 4	440	360	59	40	94	44	270	125	108	42	M39			<b>UC320</b> UC320-61 UC320-62 UC320-63 UC320-64	<b>FL320</b>	27
<b>UCFL322</b>	<b>110</b> - 18 1/2	470	390	60	42	96	44	300	131	117	46	M39			<b>UC322</b>	<b>FL322</b>	33
<b>UCFL324</b>	<b>120</b> - 2015/32	520	430	65	48	110	47	330	140	126	51	M42			<b>UC324</b>	<b>FL324</b>	48
<b>UCFL326</b>	<b>130</b> - 2121/32	550	460	69	50	115	47	360	146	135	54	M42			<b>UC326</b>	<b>FL326</b>	58
<b>UCFL328</b>	<b>140</b> - 235/8	600	500	75	60	125	51	400	161	145	59	M45			<b>UC328</b>	<b>FL328</b>	81

UCFLX Serie media - Medium duty



Tipo Type	Dimensioni - Dimensions											Bull. fiss. Bolt Size	Coefficients di carico (N) Load ratings (N)		Cuscinetto Bearing	Supporto Housing	Peso Weight	
	d	a	e	i	g	l	s	b	z	B	n		Dinamico C Dynamic C	Statico C <sub>0</sub> Static C <sub>0</sub>				kg
	mm/inch												mm/inch					
<b>UCFLX05</b>	<b>25</b>	141	117	18	13	30	12	83	40,2	38,1	15,9	M10			<b>UCX05</b>			
UCFLX05-13	13/16														UCX05-13			
UCFLX05-14	7/8														UCX05-14	<b>FLX05</b>	1,0	
UCFLX05-15	15/16	59/16	439/64	45/64	½	13/16	15/32	39/32	137/64	1,5000	0,626	3/8	18525	10735	UCX05-15			
UCFLX05-16	1														UCX05-16			
<b>UCFLX06</b>	<b>30</b>	156	130	19	15	34	16	95	44,4	42,9	17,5	M14			<b>UCX06</b>			
UCFLX06-17	11/16														UCX06-17			
UCFLX06-18	11/8														UCX06-18	<b>FLX06</b>	1,5	
UCFLX06-19	13/16	65/32	51/8	¾	19/32	111/32	5/8	3¾	1¾	1,6890	0,689	½	24415	14630	UCX06-19			
UCFLX06-20	1¼														UCX06-20			
<b>UCFLX07</b>	<b>35</b>	171	144	21	16	38	16	105	51,2	49,2	19	M14			<b>UCX07</b>			
UCFLX07-21	15/16														UCX07-21			
UCFLX07-22	13/8	623/32	543/64	53/64	5/8	1½	5/8	41/8	21/64	1,9370	0,748	½	27645	16910	UCX07-22	<b>FLX07</b>	2,0	
UCFLX07-23	17/16														UCX07-23			
<b>UCFLX08</b>	<b>40</b>	179	148	22	16	40	16	111	52,2	49,2	19	M14			<b>UCX08</b>			
UCFLX08-24	1½														UCX08-24	<b>FLX08</b>	2,2	
UCFLX08-25	19/16	71/16	553/64	55/64	5/8	137/64	5/8	43/8	21/16	1,9370	0,748	½	32395	20235	UCX08-25			
<b>UCFLX09</b>	<b>45</b>	189	157	23	16	40	16	116	55,6	51,6	19	M14			<b>UCX09</b>			
UCFLX09-26	15/8														UCX09-26			
UCFLX09-27	111/16														UCX09-27	<b>FLX09</b>	2,4	
UCFLX09-28	1¾	77/16	63/16	29/32	5/8	137/64	5/8	49/18	23/16	2,0315	0,748	½	33345	22135	UCX09-28			
UCFLX09-29	113/16														UCX09-29			
<b>UCFLX10</b>	<b>50</b>	216	184	26	18	44	19	133	59,4	55,6	22,2	M16			<b>UCX10</b>			
UCFLX10-30	17/8														UCX10-30			
UCFLX10-31	115/16	8½	7¼	11/32	23/32	123/32	¾	5¼	211/32	2,1890	0,874	5/8	41230	27930	UCX10-31	<b>FLX10</b>	3,4	
UCFLX10-32	2														UCX10-32			

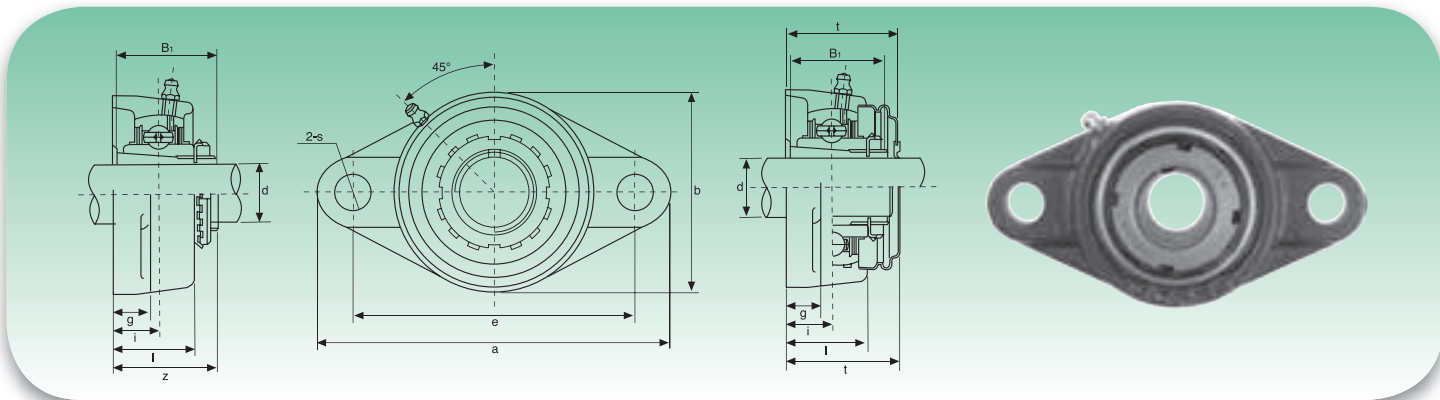


**UKFL2 Serie normale - Standard duty**


Tipo Type	Dimensioni - Dimensions											Bull. fiss. Bolt Size	Coefficients di carico (N) Load ratings (N)		Cuscinetto Bearing	Supporto Housing	Peso Weight	
	d	a	e	i	g	l	s	b	z	t	B <sub>1</sub>		Dinamico C Dynamic C	Statico C <sub>0</sub> Static C <sub>0</sub>				kg
	mm/inch												mm/inch					
<b>UKFL205+H2305</b>	20	130	99	16	13	27	16	68	35,5	40	35	M14	13300	7457	<b>UK205+H2305</b>	<b>FL205</b>	0,63	
UKFL205+HE2305	¾	51/8	357/64	5/8	½	11/16	5/8	211/16	125/64	19/16	1,378	½						
<b>UKFL206+H2306</b>	25	148	117	18	13	31	16	80	39	44,5	38	M14	18525	10735	<b>UK206+H2306</b>	<b>FL206</b>	0,90	
UKFL206+HS2306	7/8	513/16	439/64	45/64	½	17/32	5/8	35/32	117/32	1¾	1,496	½						
UKFL206+HE2306	1																	
<b>UKFL207+H2307</b>	30	161	130	19	14	34	16	90	42,5	48,5	43	M14	24415	14630	<b>UK207+H2307</b>	<b>FL207</b>	1,17	
UKFL207+HS2307	11/8	611/32	51/8	¾	35/64	111/32	5/8	335/64	143/64	129/32	1,693	½						
<b>UKFL208+H2308</b>	35	175	144	21	14	36	16	100	46,5	55,5	46	M14	27645	16910	<b>UK208+H2308</b>	<b>FL208</b>	1,54	
UKFL208+HE2308	1¼	67/8	543/64	53/64	35/64	113/32	5/8	315/16	153/64	23/16	1,811	½						
UKFL208+HS2308	13/8																	
<b>UKFL209+H2309</b>	40	188	148	22	15	38	19	108	48,5	56,5	50	M16	32395	20235	<b>UK209+H2309</b>	<b>FL209</b>	1,89	
UKFL209+HA2309	17/16	713/32	553/64	55/64	19/32	1½	¾	4¾	129/32	27/32	1,969	5/8						
UKFL209+HE2309	1½																	
UKFL209+HS2309	15/8																	
<b>UKFL210+H2310</b>	45	197	157	22	15	40	19	115	50	59,5	55	M16	33345	22135	<b>UK210+H2310</b>	<b>FL210</b>	2,27	
UKFL210+HS2310	15/8	7¾	63/16	55/64	19/32	137/64	¾	417/32	131/32	211/32	2,165	5/8						
UKFL210+HA2310	111/16																	
UKFL210+HE2310	1¾																	
<b>UKFL211+H2311</b>	50	224	184	25	18	43	19	130	54,5	63	59	M16	41230	27930	<b>UK211+H2311</b>	<b>FL211</b>	3,06	
UKFL211+HS2311	17/8	813/16	7¼	63/64	23/32	111/16	¾	51/8	29/64	215/32	2,323	5/8						
UKFL211+HA2311	115/16																	
UKFL211+HE2311	2																	
<b>UKFL212+H2312</b>	55	250	202	29	18	48	23	140	61	73,5	62	M20	49780	34390	<b>UK212+H2312</b>	<b>FL212</b>	3,79	
UKFL212+HS2312	21/8	927/32	761/64	19/64	23/32	17/8	29/32	5½	213/32	257/64	2,441	¾						
<b>UKFL213+H2313</b>	60	258	210	30	22	50	23	155	64	74,5	65	M20	54340	38095	<b>UK213+H2313</b>	<b>FL213</b>	4,48	
UKFL213+HA2313	23/16	105/32	817/64	13/16	7/8	131/32	29/32	63/62	233/64	215/16	2,559	¾						
UKFL213+HE2313	2¼																	
UKFL213+HS2313	23/8																	
<b>UKFL215+H2315</b>	65	275	225	34	22	56	23	165	71	-	73	M20	64030	45885	<b>UK215+H2315</b>	<b>FL215</b>	5,48	
UKFL215+HA2315	27/16	1013/16	855/64	111/32	7/8	27/32	29/32	6½	251/64	-	2,874	¾						
UKFL215+HE2315	2½																	
<b>UKFL216+H2316</b>	70	290	233	34	22	58	25	180	73,5	-	78	M22	69065	50350	<b>UK216+H2316</b>	<b>FL216</b>	7,46	
UKFL216+HA2316	211/16	1113/32	911/64	111/32	7/8	29/32	63/64	73/32	257/64	-	3,071	7/8						
UKFL216+HE2316	2¾																	
<b>UKFL217+H2317</b>	75	305	248	36	24	63	25	190	77	-	82	M22	79800	58805	<b>UK217+H2317</b>	<b>FL217</b>	9,03	
UKFL217+HA2317	215/16	12	949/64	127/64	15/16	215/32	63/64	715/32	31/32	-	3,228	7/8						
UKFL217+HE2317	3																	
<b>UKFL218+H2318</b>	80	320	265	40	24	68	25	205	81,5	-	86	M22	91295	67925	<b>UK218+H2318</b>	<b>FL218</b>	10,89	
UKFL218+HA2318	33/16	1219/32	107/16	137/64	15/16	211/16	63/64	81/16	313/64	-	3,386	7/8						

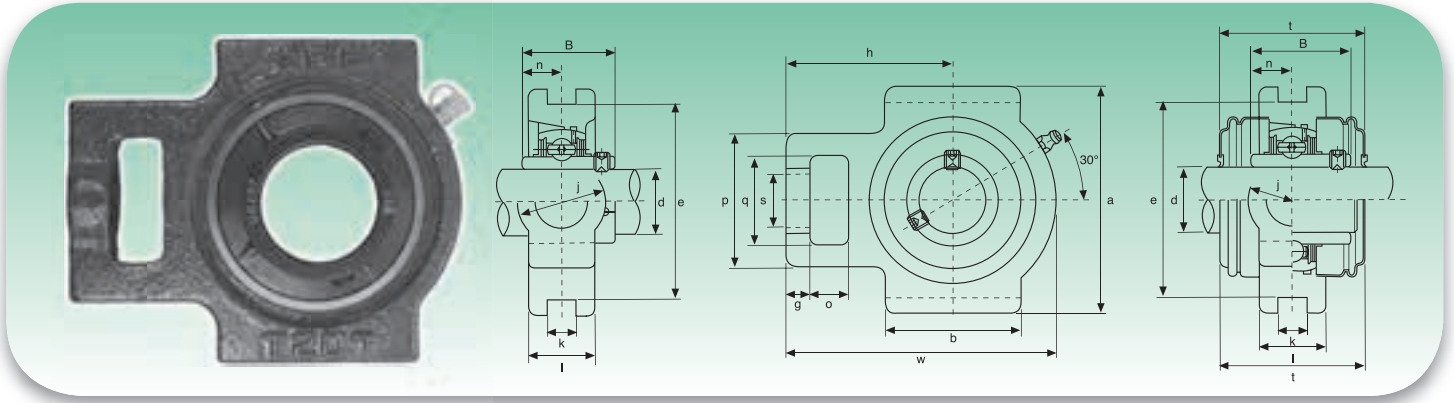
Bussole HA; HE; HS con filettatura in pollici  
Inch dimension adapter sleeves HA; HE; HS

UKFLX Serie media - Medium duty



Tipo Type	Dimensioni - Dimensions										Bull. fiss. Bolt Size	Coefficienti di carico (N) Load ratings (N)		Cuscinetto Bearing	Supporto Housing	Peso Weight	
	d	a	e	i	g	l	s	b	z	B <sub>1</sub>		Dinamico C Dynamic C	Statico C <sub>0</sub> Static C <sub>0</sub>				kg
	mm/inch											mm/inch					
<b>UKFLX05+H2305</b>	<b>20</b>	141	117	18	13	30	12	83	39	35	M10	18525	10735	<b>UKX05+H2305</b>	<b>FLX05</b>	1,0	
UKFLX05+HE2305	¾	59/16	439/64	45/64	½	13/16	15/32	39/32	117/32	1,378	3/8			UKX05+HE2305			
<b>UKFLX06+H2306</b>	<b>25</b>	156	130	19	15	34	16	95	41,5	38	M14	24415	14630	<b>UKX06+H2306</b>	<b>FLX06</b>	1,5	
UKFLX06+HS2306	7/8	65/32	51/8	¾	19/32	111/32	5/8	3¾	141/64	1,496	½			UKX06+HS2306			
UKFLX06+HE2306	1													UKX06+HE2306			
<b>UKFLX07+H2307</b>	<b>30</b>	171	144	21	16	38	16	105	45,5	43	M14	27645	16910	<b>UKX07+H2307</b>	<b>FLX07</b>	1,8	
UKFLX07+HS2307	11/8	623/32	543/64	53/64	5/8	1½	5/8	41/8	151/64	1,693	½			UKX07+HS2307			
<b>UKFLX08+H2308</b>	<b>35</b>	179	148	22	16	40	16	111	47,5	46	M14	32395	20235	<b>UKX08+H2308</b>	<b>FLX08</b>	2,1	
UKFLX08+HE2308	1¼	71/16	553/64	55/64	5/8	19/16	5/8	43/8	17/8	1,811	½			UKX08+HE2308			
UKFLX08+HS2308	13/8													UKX08+HS2308			
<b>UKFLX09+H2309</b>	<b>40</b>	189	157	23	16	40	16	116	50	50	M14	33345	22135	<b>UKX09+H2309</b>	<b>FLX09</b>	2,5	
UKFLX09+HA2309	17/16	77/16	63/16	29/32	5/8	137/64	5/8	49/16	131/32	1,969	½			UKX09+HA2309			
UKFLX09+HE2309	1½													UKX09+HE2309			
UKFLX09+HS2309	15/8													UKX09+HS2309			
<b>UKFLX10+H2310</b>	<b>45</b>	216	184	26	18	44	19	133	55,5	55	M16	41230	27930	<b>UKX10+H2310</b>	<b>FLX10</b>	3,7	
UKFLX10+HS2310	15/8	111/16	7¼	11/32	23/32	123/32	¾	5¼	23/16	2,165	5/8			UKX10+HS2310			
UKFLX10+HA2310	8½													UKX10+HA2310			
UKFLX10+HE2310	1¾													UKX10+HE2310			

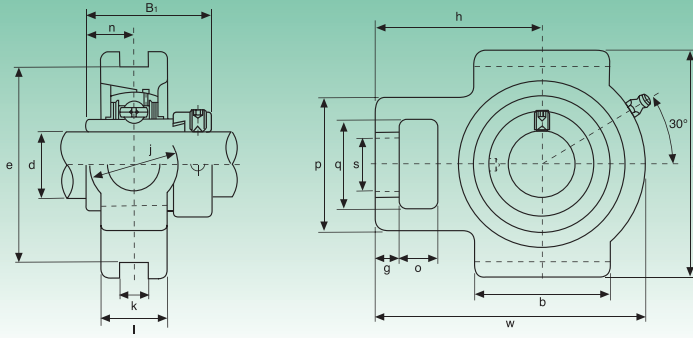
Bussole HA; HE; HS con filettatura in pollici  
Inch dimension adapter sleeves HA; HE; HS



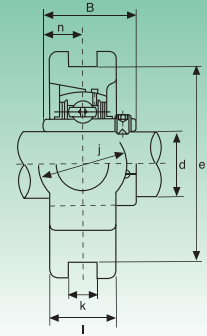
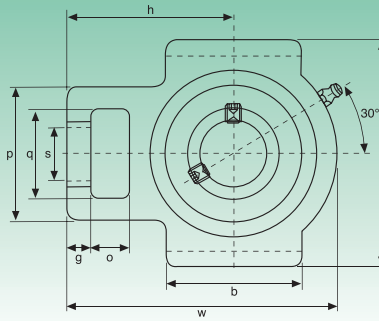
Tipo Type	Dimensioni - Dimensions																Coefficients di carico (N) Load ratings (N)		Cuscinetto Bearing	Supporto Housing	Peso Weight	
	d	o	g	p	q	s	b	k	e	a	w	j	l	h	t	B	N	Dinamico C Dynamic C <sub>o</sub>				Statico C <sub>o</sub> Static C <sub>o</sub>
	mm/inch																					
UCT201	12	16	10	51	32	19	51	12	76	89	94	32	24	61	44,5	31	12,7	12160	6318	UC201 UC201-8	T204	0,80
UCT201-8	1/2	5/8	25/64	11/64	1 1/4	3/4	21/64	15/32	263/64	3 1/2	311/16	1 1/4	15/16	213/32	1 3/4	1,2205	0,500					0,79
UCT202	15	16	10	51	32	19	51	12	76	89	94	32	24	61	44,5	31	12,7	12160	6318	UC202 UC202-9 UC202-10	T204	0,79
UCT202-9	9/16	5/8	25/64	11/64	1 1/4	3/4	21/64	15/32	263/64	3 1/2	311/16	1 1/4	15/16	213/32	1 3/4	1,2205	0,500					0,79
UCT202-10	5/8	5/8	25/64	11/64	1 1/4	3/4	21/64	15/32	263/64	3 1/2	311/16	1 1/4	15/16	213/32	1 3/4	1,2205	0,500	0,79				
UCT203	17	16	10	51	32	19	51	12	76	89	94	32	24	61	44,5	31	12,7	12160	6318	UC203 UC203-11	T204	0,78
UCT203-11	11/16	5/8	25/64	11/64	1 1/4	3/4	21/64	15/32	263/64	3 1/2	311/16	1 1/4	15/16	213/32	1 3/4	1,2205	0,500					0,77
UCT204	20	16	10	51	32	19	51	12	76	89	94	32	24	61	44,5	31	12,7	12160	6318	UC204 UC204-12	T204	0,76
UCT204-12	3/4	5/8	25/64	11/64	1 1/4	3/4	21/64	15/32	263/64	3 1/2	311/16	1 1/4	15/16	213/32	1 3/4	1,2205	0,500					0,76
UCT205	25	16	10	51	32	19	51	12	76	89	97	32	24	62	48	34,1	14,3	13300	7457	UC205 UC205-13 UC205-14 UC205-15 UC205-16	T205	0,81
UCT205-13	13/16																					0,85
UCT205-14	7/8	5/8	25/64	11/64	1 1/4	3/4	21/64	15/32	263/64	3 1/2	313/16	1 1/4	15/16	27/16	17/8	1,3425	0,563					0,84
UCT205-15	15/16																					0,82
UCT205-16	1																					0,81
UCT206	30	16	10	56	37	22	57	12	89	102	113	37	28	70	53	38,1	15,9	18525	10735	UC206 UC206-17 UC206-18 UC206-19 UC206-20	T206	1,22
UCT206-17	11/16																					1,23
UCT206-18	11/8	5/8	25/64	27/32	129/64	55/64	2 1/4	15/32	3 1/2	41/64	429/64	129/64	13/32	2 3/4	23/32	1,5000	0,626					1,24
UCT206-19	13/16																					1,22
UCT206-20	1 1/4																					1,21
UCT207	35	16	13	64	37	22	64	12	89	102	129	37	30	78	59,5	42,9	17,5	24415	14630	UC207 UC207-20 UC207-21 UC207-22 UC207-23	T207	1,44
UCT207-20	1 1/4																					1,50
UCT207-21	15/16	5/8	33/64	233/64	129/64	55/64	233/64	15/32	3 1/2	41/64	55/64	129/64	13/16	35/64	211/32	1,6890	0,689					1,48
UCT207-22	13/8																					1,44
UCT207-23	17/16																					1,41
UCT208	40	19	16	83	49	29	83	16	102	114	144	49	35	89	69	49,2	19	27645	16910	UC208 UC208-24 UC208-25	T208	2,40
UCT208-24	1 1/2	3/4	5/8	317/64	115/16	19/64	317/64	5/8	41/64	431/64	543/64	115/16	13/8	3 1/2	223/32	1,9370	0,748					2,44
UCT208-25	19/16																					2,41
UCT209	45	19	16	83	49	29	83	16	102	117	144	49	35	87	69	49,2	19	32395	20235	UC209 UC209-26 UC209-27 UC209-28	T209	2,36
UCT209-26	15/8																					2,46
UCT209-27	11/16	3/4	5/8	317/64	115/16	19/64	317/64	5/8	41/64	439/64	543/64	115/16	13/8	327/64	223/32	1,9370	0,748					2,42
UCT209-28	1 3/4																					2,38
UCT210	50	19	16	83	49	29	86	16	102	117	149	49	35	90	74,5	51,6	19	33345	22135	UC210 UC210-29 UC210-30 UC210-31 UC210-32	T210	2,43
UCT210-29	113/16																					2,55
UCT210-30	17/8	3/4	5/8	317/64	115/16	19/64	317/64	5/8	41/64	439/64	555/64	115/16	13/8	335/64	215/16	2,0315	0,748					2,50
UCT210-31	115/16																					2,45
UCT210-32	2																					2,41
UCT211	55	25	19	102	64	35	95	22	130	146	171	64	41	106	76	55,6	22,2	41230	27930	UC211 UC211-32 UC211-33 UC211-34 UC211-35	T211	4,11
UCT211-32	2																					4,26
UCT211-33	21/16	63/64	3/4	41/64	21/32	13/8	3 3/4	55/64	51/8	5 3/4	647/64	233/64	15/8	411/64	3	2,1890	0,874					4,20
UCT211-34	21/8																					4,15
UCT211-35	23/16																					4,09
UCT212	60	32	19	102	64	35	102	22	130	146	194	64	46	119	89	65,1	25,4	49780	34390	UC212 UC212-36 UC212-37 UC212-38 UC212-39	T212	4,97
UCT212-36	2 1/4																					5,10
UCT212-37	25/16	117/64	3/4	41/64	21/32	13/8	41/64	55/64	51/8	5 3/4	741/64	233/64	113/16	411/16	3 1/2	2,5630	1,000					5,02
UCT212-38	23/8																					4,95
UCT212-39	27/16																					4,88
UCT213	65	32	21	111	70	41	121	26	151	167	224	70	51	137	89	65,1	25,4	54340	38095	UC213 UC213-40 UC213-41	T213	6,65
UCT213-40	2 1/2	117/64	53/64	43/8	2 3/4	139/64	449/64	11/32	515/16	637/64	813/16	2 3/4	2	525/64	3 1/2	2,5630	1,000					6,74
UCT213-41	29/16																					6,65
UCT214	70	32	21	111	70	41	121	26	151	167	224	70	46	137	-	74,6	30,2	59090	41895	UC214 UC214-42 UC214-43 UC214-44	T214	7,05
UCT214-42	25/8																					7,26
UCT214-43	21/16	117/64	53/64	43/8	2 3/4	139/64	449/64	11/32	515/16	637/64	813/16	2 3/4	113/16	525/64	-	2,9370	1,189					7,16
UCT214-44	2 3/4																					7,06
UCT215	75	32	21	111	70	41	121	26	151	167	232	70	48	140	-	77,8	33,3	64030	45885	UC215 UC215-45 UC215-46 UC215-47 UC215-48	T215	7,41
UCT215-45	213/16																					7,66
UCT215-46	27/8	117/64	53/64	43/8	2 3/4	139/64	449/64	11/32	515/16	637/64	99/64	2 3/4	157/64	533/64	-	3,0630	1,311					7,55
UCT215-47	215/16																					7,44
UCT215-48	3																					7,32
UCT216	80	32	21	111	70	41	121	26	165	184	235	70	51	140	-	82,6	33,3	69065	50350	UC216 UC216-49 UC216-50 UC216-51	T216	8,30
UCT216-49	31/16																					8,48
UCT216-50	31/8	117/64	53/64	43/8	2 3/4	139/64	449/64	11/32	6 1/2	7 1/4	9 1/4	2 3/4	2	533/64	-	3,2520	1,311					8,35
UCT216-51	33/16																					8,22
UCT217	85	38	29	124	73	48	157	30	173	198	260	73	54	162	-	85,7	34,1	79800	58805	UC217 UC217-52 UC217-53 UC217-55	T217	11,00
UCT217-52	3 1/4																					11,22
UCT217-53	35/16	1 1/2	19/64	47/8	27/8	157/64	63/16	13/16	613/16	751/64	1015/64	27/8	21/8	63/8	-	3,3740	1,343					11,09
UCT217-55	37/16																					10,80
UCT218	90	41	31	132	81	48	151	30	189	216	280	80	55	173	-	96	39,7	91295	67925	UC218 UC218-56	T218	12,75
UCT218-56	335/64	15/8	1,2205	513/64	36/32	157/64	561/64	13/16	751/64	8 1/2	1113/32	35/32	2,165	613/16	-	3,7795	118/32					10,62

Disponibile in acciaio inox Supporto: AISI 304 - Cuscinetto: AISI 440C o 420C - Available stainless steel Housing: AISI 304 - Bearing: AISI 440C or 420C  
 Disponibile su richiesta con cuscinetto SA (SAT.) - Available under request with SA bearing (SAT.)

HCT2 Serie normale - Normal duty

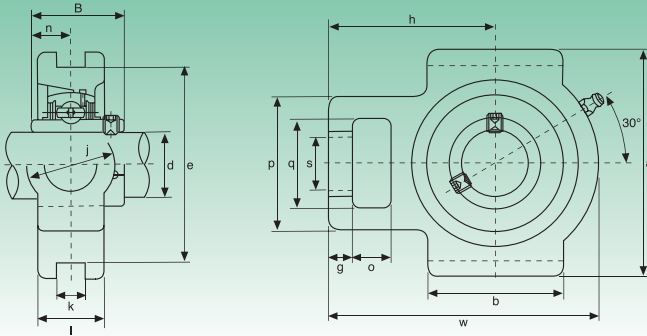


Tipo Type	Dimensioni - Dimensions																Coefficients di carico (N) Load ratings (N)		Cuscinetto Bearing	Supporto Housing	Peso Weight
	d	o	g	p	q	s	b	k	e	a	w	j	i	h	B <sub>1</sub>	n	Dinamico C <sub>o</sub> Dynamic C <sub>o</sub>	Statico C <sub>o</sub> Static C <sub>o</sub>			
	mm/inch																				
HCT204	20	16	10	51	32	19	51	12	76	89	94	32	24	61	43,7	17,1	12160	6318	HC204	T204	0,83
HCT204-12	¾	5/8	25/64	11/16	1¼	¾	21/64	15/32	263/64	3½	311/16	1¼	15/16	213/32	1,720	0,673			0,83		
HCT205	25	16	10	51	32	19	51	12	76	89	97	32	24	62	44,4	17,5	13300	7457	HC205	T205	0,88
HCT205-13	13/16																		0,93		
HCT205-14	7/8																		0,92		
HCT205-15	15/16	5/8	25/64	11/16	1¼	¾	21/64	15/32	263/64	3½	313/16	1¼	15/16	27/16	1,748	0,689			0,90		
HCT205-16	1																		0,88		
HCT206	30	16	10	56	37	22	57	12	89	102	113	37	28	70	48,4	18,3	18525	10735	HC206	T206	1,35
HCT206-17	11/16																		1,40		
HCT206-18	11/8																		1,37		
HCT206-19	13/16	5/8	25/64	27/32	129/64	55/64	2¼	15/32	3½	41/64	429/64	129/64	13/32	2¾	1,906	0,720			1,35		
HCT206-20	1¼																		1,32		
HCT207	35	16	13	64	37	22	64	12	89	102	129	37	30	78	51,1	18,8	24415	14630	HC207	T207	1,56
HCT207-20	1¼																		1,63		
HCT207-21	15/16																		1,59		
HCT207-22	13/8	5/8	33/64	233/64	129/64	55/64	233/64	15/32	3½	41/64	55/64	129/64	13/16	35/64	2,012	0,740			1,56		
HCT207-23	17/16																		1,53		
HCT208	40	19	16	83	49	29	83	16	102	114	144	49	35	89	56,3	21,4	27645	16910	HC208	T208	2,55
HCT208-24	1½																		2,60		
HCT208-25	19/16	¾	5/8	317/64	115/16	19/64	317/64	5/8	41/64	431/64	543/64	115/16	13/8	3½	2,217	0,843			2,56		
HCT209	45	19	16	83	49	29	83	16	102	117	144	49	35	87	56,3	21,4	32395	20235	HCF209	T209	2,53
HCT209-26	15/8																		2,64		
HCT209-27	111/16	¾	5/8	317/64	115/16	19/64	317/64	5/8	41/64	439/64	543/64	115/16	13/8	327/64	2,217	0,843			2,59		
HCT209-28	1¾																		2,55		
HCT210	50	19	16	83	49	29	86	16	102	117	149	49	35	90	6,7	24,6	33345	22135	HCF210	T210	2,62
HCT210-29	113/16																		2,77		
HCT210-30	17/8																		2,71		
HCT210-31	115/16	¾	5/8	317/64	115/16	19/64	325/64	5/8	41/64	439/64	555/64	115/16	13/8	335/64	2,469	0,969			2,65		
HCT210-32	2																2,59				
HCT211	55	25	19	102	64	35	95	22	130	146	171	64	41	106	71,4	27,8	41230	27930	HCF211	T211	4,32
HCT211-32	2																		4,52		
HCT211-33	22/16																		4,44		
HCT211-34	21/8	63/64	¾	41/64	21/32	13/8	3¾	55/64	51/8	5¾	647/64	233/64	15/8	411/64	2,811	1,094			4,37		
HCT211-35	23/16																		4,29		
HCT212	60	32	19	102	64	35	102	22	130	146	194	64	46	119	77,8	31	49780	34390	HC212	T212	5,31
HCT212-36	2¼																		5,47		
HCT212-37	25/16																		5,38		
HCT212-38	23/8	117/64	¾	41/64	21/32	13/8	41/64	55/64	51/8	5¾	741/64	233/64	113/16	411/16	3,063	1,220			5,33		
HCT212-39	27/16																		5,20		
HCT213	65	32	21	111	70	41	121	26	151	167	224	70	51	137	85,7	34,1	54340	38095	HC213	T213	7,21
HCT213-40	2½																		7,31		
HCT213-41	29/16	117/64	53/64	43/8	2¾	139/64	449/64	11/32	515/16	637/64	813/16	2¾	2	525/64	3,374	1,343			7,20		
HCT214	70	32	21	111	70	41	121	26	151	167	224	70	46	137	85,7	34,1	59090	41895	HC214	T214	7,55
HCT214-42	23/8																		7,79		
HCT214-43	211/16	117/64	53/64	43/8	2¾	139/64	449/64	11/32	515/16	637/64	813/16	2¾	113/16	525/64	3,374	1,343			7,68		
HCT214-44	2¾																		7,56		
HCT215	75	32	21	111	70	41	121	26	151	167	232	70	48	140	92,1	37,3	64030	45885	HC215	T215	8,04
HCT215-45	213/16																		8,34		
HCT215-46	27/8																		8,21		
HCT215-47	215/16	117/64	53/64	43/8	2¾	139/64	449/64	11/32	515/16	637/64	99/64	2¾	157/64	533/64	3,626	1,426			8,08		
HCT215-48	3																		7,94		

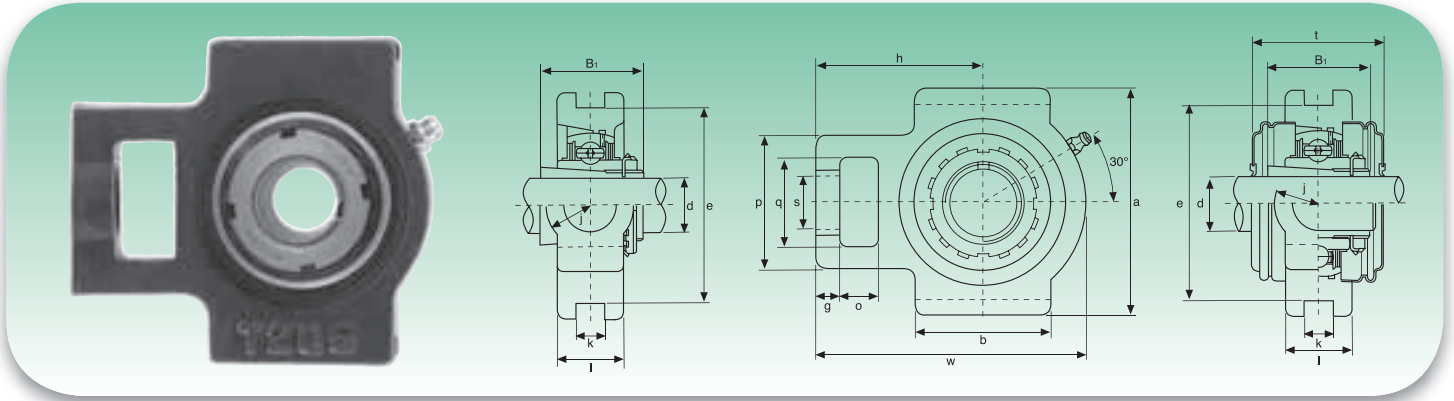


Tipo Type	Dimensioni - Dimensions															Coefficients di carico (N) Load ratings (N)		Cuscinetto Bearing	Supporto Housing	Peso Weight	
	d	o	g	p	q	s	b	k	e	a	w	j	l	h	B	n	Dinamico C Dynamic C <sub>o</sub>				Statico C <sub>o</sub> Static C <sub>o</sub>
	mm/inch																				
<b>UCT305</b> UCT305-13 UCT305-14 UCT305-15 UCT305-16	25 13/16 7/8 15/16 1	16	14	62	36	26	65	12	80	89	122	36	26	76	38	15	20140	10355	<b>UC305</b> UC305-13 UC305-14 UC305-15 UC305-16	<b>T305</b>	1,4
<b>UCT306</b> UCT306-17 UCT306-18 UCT306-19	30 11/16 11/8 13/16	18	16	70	41	28	74	16	90	100	137	41	28	85	43	17	25365	14250	<b>UC306</b> UC306-17 UC306-18 UC306-19	<b>T306</b>	1,8
<b>UCT307</b> UCT307-20 UCT307-21 UCT307-22 UCT307-23	35 1 1/4 15/16 13/8 17/16	20	17	75	45	30	80	16	100	111	150	45	32	94	48	19	31730	18335	<b>UC307</b> UC307-20 UC307-21 UC307-22 UC307-23	<b>T307</b>	2,4
<b>UCT308</b> UCT308-24 UCT308-25	40 1 1/2 19/16	22	19	83	50	32	89	18	112	124	162	50	34	100	52	19	38665	22800	<b>UC308</b> UC308-24 UC308-25	<b>T308</b>	3,0
<b>UCT309</b> UCT309-26 UCT309-27 UCT309-28	45 15/8 11/16 1 3/4	24	20	90	55	34	97	18	125	138	178	55	38	110	57	22	46455	28025	<b>UC309</b> UC309-26 UC309-27 UC309-28	<b>T309</b>	4,0
<b>UCT310</b> UCT310-29 UCT310-30 UCT310-31	50 11/16 17/8 115/16	27	22	98	61	37	106	20	140	151	192	61	40	118	61	22	58900	36385	<b>UC310</b> UC310-29 UC310-30 UC310-31	<b>T310</b>	5,0
<b>UCT311</b> UCT311-32 UCT311-33 UCT311-34 UCT311-35	55 2 21/16 21/8 23/16	29	23	105	66	39	115	22	150	163	207	66	44	127	66	25	68020	42750	<b>UC311</b> UC311-32 UC311-33 UC311-34 UC311-35	<b>T311</b>	6,4
<b>UCT312</b> UCT312-36 UCT312-37 UCT312-38 UCT312-39	60 2 1/4 25/16 23/8 27/16	31	25	113	71	41	123	22	160	178	220	71	46	135	71	26	77805	49590	<b>UC312</b> UC312-36 UC312-37 UC312-38 UC312-39	<b>T312</b>	7,6
<b>UCT313</b> UCT313-40 UCT313-41	65 2 1/2 29/16	32	27	116	70	43	134	26	170	190	238	80	50	146	75	30	88065	56905	<b>UC313</b> UC313-40 UC313-41	<b>T313</b>	9,7
<b>UCT314</b> UCT314-42 UCT314-43 UCT314-44	70 25/8 211/16 2 3/4	36	27	130	85	46	140	26	180	202	252	90	52	155	78	33	98800	64790	<b>UC314</b> UC314-42 UC314-43 UC314-44	<b>T314</b>	11
<b>UCT315</b> UCT315-45 UCT315-46 UCT315-47 UCT315-48	75 213/16 27/8 215/16 3	36	27	132	85	46	150	26	192	216	262	90	55	160	82	32	107350	73340	<b>UC315</b> UC315-45 UC315-46 UC315-47 UC315-48	<b>T315</b>	14
<b>UCT316</b> UCT316-49 UCT316-50 UCT316-51	80 31/16 31/8 33/16	42	30	150	98	53	160	30	204	230	282	102	60	174	86	34	116850	82365	<b>UC316</b> UC316-49 UC316-50 UC316-51	<b>T316</b>	16
<b>UCT317</b> UCT317-52 UCT317-53 UCT317-55	85 3 1/4 35/16 37/16	42	32	152	98	53	170	32	214	240	298	102	64	183	96	40	126350	91960	<b>UC317</b> UC317-52 UC317-53 UC317-55	<b>T317</b>	20
<b>UCT318</b> UCT318-55 UCT318-56	90 37/16 3 1/2	46	32	160	106	57	175	32	228	255	312	110	66	192	96	40	135850	101650	<b>UC318</b> UC318-55 UC318-56	<b>T318</b>	22
<b>UCT319</b> UCT319-58 UCT319-59 UCT319-60	95 35/8 311/16 3 3/4	46	33	165	106	57	180	35	240	270	322	110	72	197	103	41	145350	113050	<b>UC319</b> UC319-58 UC319-59 UC319-60	<b>T319</b>	24
<b>UCT320</b> UCT320-61 UCT320-62 UCT320-63 UCT320-64	100 313/16 37/8 315/16 4	48	34	175	115	59	200	35	260	290	345	120	75	210	108	42	164350	133950	<b>UC320</b> UC320-61 UC320-62 UC320-63 UC320-64	<b>T320</b>	32
<b>UCT322</b>	110 - 21/16	52	38	185	125	65	215	38	285	320	385	130	80	235	117	46	194750	171000	<b>UC322</b>	<b>T322</b>	40
<b>UCT324</b>	120 - 23/8	60	42	210	140	70	230	45	320	355	432	140	90	267	126	51	196650	175750	<b>UC324</b>	<b>T324</b>	55
<b>UCT326</b>	130 - 29/16	65	45	220	150	75	240	50	350	385	465	150	100	285	135	54	217550	203300	<b>UC326</b>	<b>T326</b>	69
<b>UCT328</b>	140 - 2 1/4	70	50	230	160	80	255	50	380	415	515	155	100	315	145	59	240350	233700	<b>UC328</b>	<b>T328</b>	84

UCTX Serie media - Medium duty



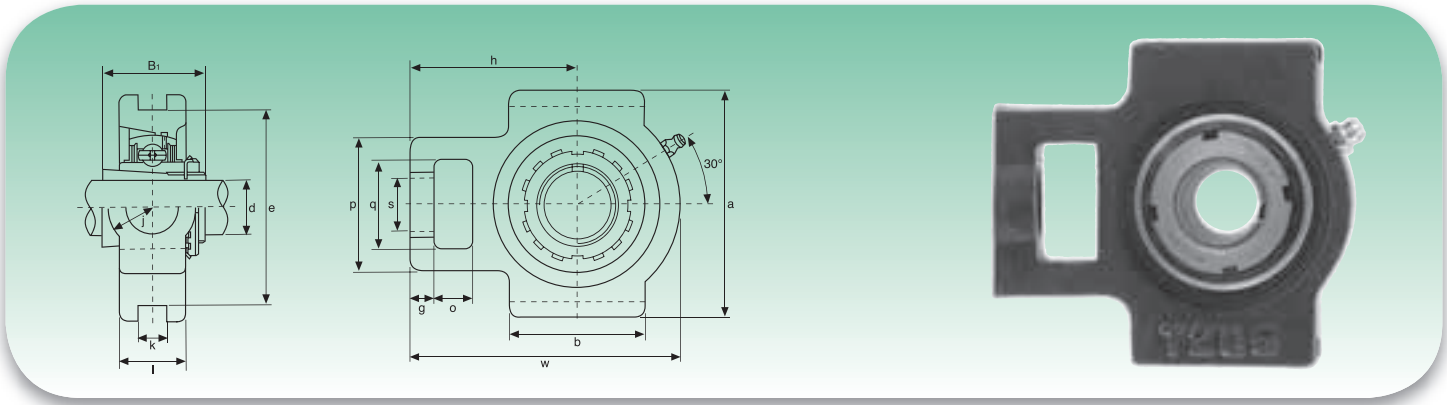
Tipo Type	Dimensioni - Dimensions															Coefficients di carico (N) Load ratings (N)		Cuscinetto Bearing	Supporto Housing	Peso Weight		
	d	o	g	p	q	s	b	k	e	a	w	j	l	h	B	n	Dinamico C <sub>d</sub> Dynamic C				Statico C <sub>s</sub> Static C <sub>s</sub>	kg
	mm/inch																					
<b>UCTX05</b>	<b>25</b>	16	12	56	37	22	57	12	89	102	113	28	37	70	38,1	15,9	18525	10735	<b>UCTX05</b>	<b>TX05</b>	1,4	
UCTX05-13	13/16																					UCTX05-13
UCTX05-14	7/8	5/8	15/32	27/32	129/64	55/64	2 1/4	0,472	3 1/2	41/64	429/64	13/32	129/64	2 3/4	1,5000	0,626			UCTX05-14			
UCTX05-15	15/16																					UCTX05-15
UCTX05-16	1																					UCTX05-16
<b>UCTX06</b>	<b>30</b>	16	15	64	37	22	64	12	89	102	129	30	37	78	42,9	17,5	24415	14630	<b>UCTX06</b>	<b>TX06</b>	1,8	
UCTX06-17	11/16																					UCTX06-17
UCTX06-18	11/8	5/8	19/32	233/64	129/64	55/64	233/64	0,472	3 1/2	41/64	55/64	13/16	129/64	35/64	1,6890	0,689			UCTX06-18			
UCTX06-19	13/16																					UCTX06-19
UCTX06-20	1 1/4																					UCTX06-20
<b>UCTX07</b>	<b>35</b>	19	17	83	49	29	83	16	102	114	144	36	49	88	49,2	19	27645	16910	<b>UCTX07</b>	<b>TX07</b>	2,6	
UCTX07-21	15/16																					UCTX07-21
UCTX07-22	13/8	3/4	21/32	317/64	115/16	19/64	317/64	0,630	41/64	431/64	543/64	113/32	115/16	315/32	1,9370	0,748			UCTX07-22			
UCTX07-23	17/16																					UCTX07-23
<b>UCTX08</b>	<b>40</b>	19	17	83	49	29	83	16	102	117	144	36	49	87	49,2	19	32395	20235	<b>UCTX08</b>	<b>TX08</b>	2,6	
UCTX08-24	1 1/2	3/4	21/32	317/64	115/16	19/64	317/64	0,630	41/64	439/64	543/64	113/32	115/16	327/64	1,9370	0,748			UCTX08-24			
UCTX08-25	19/16																					UCTX08-25
<b>UCTX09</b>	<b>45</b>	19	18	83	49	29	86	16	102	117	151	38	49	92	51,6	19	33345	22135	<b>UCTX09</b>	<b>TX09</b>	2,8	
UCTX09-26	15/8																					UCTX09-26
UCTX09-27	111/16	3/4	23/32	317/64	115/16	19/64	325/64	0,630	41/64	439/64	515/16	1 1/2	115/16	35/8	2,0315	0,748			UCTX09-27			
UCTX09-28	1 3/4																					UCTX09-28
UCTX09-29	113/16																					UCTX09-29
<b>UCTX10</b>	<b>50</b>	25	21	102	64	35	95	22	130	146	171	42	64	106	55,6	22,2	41230	27930	<b>UCTX10</b>	<b>TX10</b>	4,3	
UCTX10-30	17/8																					UCTX10-30
UCTX10-31	115/16	63/64	13/16	41/64	21/32	13/8	3 3/4	0,866	51/8	5 3/4	647/64	121/32	233/64	411/64	2,1890	0,874			UCTX10-31			
UCTX10-32	2																	UCTX10-32				
<b>UCTX11</b>	<b>55</b>	32	21	102	64	35	102	22	130	146	194	44	64	119	65,1	25,4	49780	34390	<b>UCTX11</b>	<b>TX11</b>	5,2	
UCTX11-33	21/16																					UCTX11-33
UCTX11-34	21/8																					UCTX11-34
UCTX11-35	23/16	117/64	13/16	41/64	21/32	13/8	41/64	0,866	51/8	5 3/4	741/64	123/32	233/64	411/16	2,5630	1,000			UCTX11-35			
UCTX11-36	2 1/4																					UCTX11-36
UCTX11-37	25/16																	UCTX11-37				
<b>UCTX12</b>	<b>60</b>	32	23	111	70	41	121	26	151	167	224	48	70	137	65,1	25,4	54340	38095	<b>UCTX12</b>	<b>TX12</b>	7,6	
UCTX12-38	23/8																					UCTX12-38
UCTX12-39	27/16	117/64	29/32	43/8	2 3/4	139/64	449/64	1,024	515/16	637/64	813/16	157/64	2 3/4	525/64	2,5630	1,000			UCTX12-39			
<b>UCTX13</b>	<b>65</b>	32	23	111	70	41	121	26	151	167	224	48	70	137	74,6	30,2	59090	41895	<b>UCTX13</b>	<b>TX13</b>	7,6	
UCTX13-40	2 1/2																					UCTX13-40
UCTX13-41	29/16	117/64	29/32	43/8	2 3/4	139/64	449/64	1,024	515/16	637/64	813/16	157/64	2 3/4	525/64	2,9370	1,189			UCTX13-41			
<b>UCTX14</b>	<b>70</b>	32	23	111	70	41	121	26	151	167	232	48	70	140	77,8	33,3	64030	45885	<b>UCTX14</b>	<b>TX14</b>	7,7	
UCTX14-42	25/8																					UCTX14-42
UCTX14-43	211/16	117/64	29/32	43/8	2 3/4	139/64	449/64	1,024	515/16	637/64	99/64	157/64	2 3/4	533/64	3,0630	1,311			UCTX14-43			
UCTX14-44	2 3/4																					UCTX14-44
<b>UCTX15</b>	<b>75</b>	32	23	111	70	41	121	28	165	184	235	48	70	140	82,6	33,3	69065	50350	<b>UCTX15</b>	<b>TX15</b>	7,55	
UCTX15-45	213/16																					UCTX15-45
UCTX15-46	27/8																					UCTX15-46
UCTX15-47	215/16	117/64	29/32	43/8	2 3/4	139/64	449/64	1,102	6 1/2	7 1/4	9 1/4	157/64	2 3/4	533/64	3,2520	1,311			UCTX15-47			
UCTX15-48	3																	UCTX15-48				
<b>UCTX16</b>	<b>80</b>	38	30	124	73	48	157	28	173	198	260	54	73	162	85,7	34,1	79800	58805	<b>UCTX16</b>	<b>TX16</b>	11	
UCTX16-49	31/16																					UCTX16-49
UCTX16-50	31/8	1 1/2	13/16	47/8	27/8	157/64	63/16	1,102	613/16	751/64	1015/64	21/8	27/8	63/8	3,3740	1,343			UCTX16-50			
UCTX16-51	33/16																					UCTX16-51
UCTX16-52	3 1/4																					UCTX16-52
<b>UCTX17</b>	<b>85</b>	38	30	124	73	48	157	28	173	198	260	54	73	162	96	39,7	91295	67925	<b>UCTX17</b>	<b>TX17</b>	12	
UCTX17-53	35/16	1 1/2	13/16	47/8	27/8	157/64	63/16	1,102	613/16	751/64	1015/64	21/8	27/8	63/8	3,7795	1,5630			UCTX17-53			
UCTX17-54	37/16																					UCTX17-54

**UKT2 Serie normale - Standard duty**


Tipo Type	Dimensioni - Dimensions																Coefficienti di carico (N) Load ratings (N)		Cuscinetto Bearing	Supporto Housing	Peso Weight
	d	o	g	p	q	s	b	k	e	a	w	j	l	h	t	B <sub>1</sub>	Dinamico C Dynamic C <sub>o</sub>	Statico C <sub>o</sub> Static C <sub>o</sub>			
	mm/inch																				
<b>UKT205+H2305</b> UKT205+HE2305	20 ¾	16 5/8	10 25/64	51 11/64	32 1¼	19 ¾	51 21/64	12 15/32	76 263/64	89 3½	97 313/16	32 1¼	24 15/16	62 27/16	48 17/8	35 1,378	13300	7457	<b>UK205+H2305</b> UK205+HE2305	<b>T205</b>	0,86
<b>UKT206+H2306</b> UKT206+HS2306 UKT206+HE2306	25 7/8 1	16 5/8	10 25/64	56 27/32	37 115/32	22 55/64	57 2¼	12 15/32	89 3½	102 41/64	113 429/64	37 129/64	28 13/32	70 2¾	53 23/32	38 1,496	18525	10735	<b>UK206+H2306</b> UK206+HS2306 UK206+HE2306	<b>T206</b>	1,26
<b>UKT207+H2307</b> UKT207+HS2307	30 11/8	16 5/8	13 33/64	64 233/64	37 115/32	22 55/64	64 233/64	12 15/32	89 3½	102 41/64	129 55/64	37 129/64	30 13/16	78 35/64	59,5 211/32	43 1,693	24415	14630	<b>UK207+H2307</b> UK207+HS2307	<b>T207</b>	2,50
<b>UKT208+H2308</b> UKT208+HE2308 UKT208+HS2308	35 1¼ 13/8	19 ¾	16 5/8	83 317/64	49 115/16	29 19/64	83 317/64	16 5/8	102 41/64	114 431/64	144 543/64	49 115/16	35 13/8	89 3½	69 223/32	46 1,811	27645	16910	<b>UK208+H2308</b> UK208+HE2308 UK208+HS2308	<b>T208</b>	2,50
<b>UKT209+H2309</b> UKT209+HA2309 UKT209+HE2309 UKT209+HS2309	40 17/16 1½ 15/8	19 ¾	16 5/8	83 317/64	49 115/16	29 19/64	83 317/64	16 5/8	102 41/64	117 439/64	144 543/64	49 115/16	35 13/8	87 327/64	69 223/32	50 1,969	32395	20235	<b>UK209+H2309</b> UK209+HA2309 UK209+HE2309 UK209+HS2309	<b>T209</b>	2,51
<b>UKT210+H2310</b> UKT210+HS2310 UKT210+HA2310 UKT210+HE2310	45 15/8 111/16 1¾	19 ¾	16 5/8	83 317/64	49 115/16	29 19/64	86 325/64	16 5/8	102 41/64	117 439/64	149 555/64	49 115/16	35 13/8	90 335/64	74,5 215/16	55 2,165	33345	22135	<b>UK210+H2310</b> UK210+HS2310 UK210+HA2310 UK210+HE2310	<b>T210</b>	2,60
<b>UKT211+H2311</b> UKT211+HS2311 UKT211+HA2311 UKT211+HE2311	50 17/8 115/16 2	25 63/64	19 ¾	102 41/64	64 21/32	35 13/8	95 3¾	22 55/64	130 51/8	146 5¾	171 647/64	64 233/64	41 15/8	106 411/64	76 3	59 2,323	41230	27930	<b>UK211+H2311</b> UK211+HS2311 UK211+HA2311 UK211+HE2311	<b>T211</b>	4,26
<b>UKT212+H2312</b> UKT212+HS2312	55 21/8	32 117/64	19 ¾	102 41/64	64 21/32	35 13/8	102 41/64	22 55/64	130 51/8	146 5¾	194 741/64	64 233/64	46 113/16	119 411/16	89 3½	62 2,441	49780	34390	<b>UK212+H2312</b> UK212+HS2312	<b>T212</b>	5,02
<b>UKT213+H2313</b> UKT213+HA2313 UKT213+HE2313 UKT213+HS2313	60 23/16 2¼ 23/8	32 117/64	21 53/64	111 43/8	70 2¾	41 139/64	121 449/64	26 11/32	151 515/16	167 637/64	224 813/16	70 2¾	51 2	137 525/64	89 3½	65 2,559	54340	38095	<b>UK213+H2313</b> UK213+HA2313 UK213+HE2313 UK213+HS2313	<b>T213</b>	6,56
<b>UKT215+H2315</b> UKT215+HA2315 UKT215+HE2315	65 27/16 2½	32 117/64	21 53/64	111 43/8	70 2¾	41 139/64	121 449/64	26 11/32	151 515/16	167 637/64	232 99/64	70 2¾	48 157/64	140 533/64	- -	73 2,874	64030	45885	<b>UK215+H2315</b> UK215+HA2315 UK215+HE2315	<b>T215</b>	7,52
<b>UKT216+H2316</b> UKT216+HA2316 UKT216+HE2316	70 211/16 2¾	32 117/64	21 53/64	111 43/8	70 2¾	41 139/64	121 449/64	26 11/32	165 6½	184 7¼	235 9¼	70 2¾	51 2	140 533/64	- -	78 3,071	69065	50350	<b>UK216+H2316</b> UK216+HA2316 UK216+HE2316	<b>T216</b>	8,56
<b>UKT217+H2317</b> UKT217+HA2317 UKT217+HE2317	75 215/16 3	38 1½	29 19/64	124 47/8	73 27/8	48 157/64	157 63/16	30 13/16	173 613/16	198 751/64	260 1015/64	73 27/8	54 21/8	162 63/8	- -	82 3,228	79800	58805	<b>UK217+H2317</b> UK217+HA2317 UK217+HE2317	<b>T217</b>	11,38

Bussole HA; HE; HS con filettatura in pollici  
Inch dimension adapter sleeves HA; HE; HS

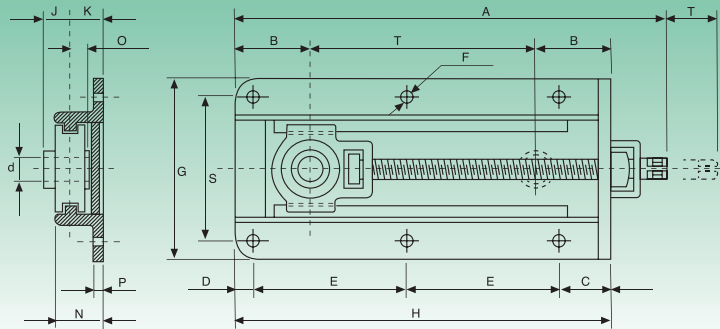
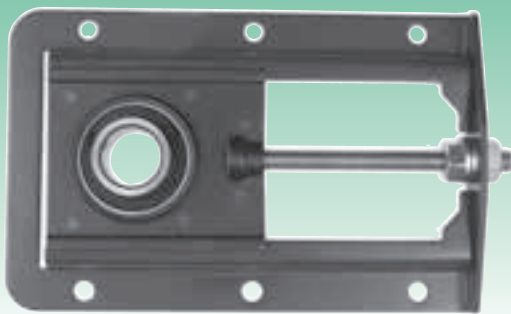
UKTX Serie media - Medium duty



Tipo Type	Dimensioni - Dimensions															Coefficienti di carico (N) Load ratings (N)		Cuscinetto Bearing	Supporto Housing	Peso Weight
	d	o	g	p	q	s	b	k	e	a	w	l	j	h	B1	Dinamico C Dynamic C	Statico Co Static Co			
	mm/inch																			
<b>UKTX05+H2305</b>	<b>20</b>	16	12	56	37	22	57	12	89	102	113	28	37	70	35	18525	10735	<b>UKX05+H2305</b> UKX05+HE2305	<b>TX05</b>	1,3
UCTX05+HE2305	¾	5/8	15/32	27/32	129/64	55/64	2 1/4	0,472	3 1/2	41/64	429/64	13/32	129/64	2 3/4	1,378					
<b>UKTX06+H2306</b>	<b>25</b>	16	15	64	37	22	64	12	89	102	129	30	37	78	38	24415	14630	<b>UKX06+H2306</b> UKX06+HS2306 UKX06+HE2306	<b>TX06</b>	1,7
UKTX06+HS2306	7/8	5/8	19/32	233/64	129/64	55/64	233/64	0,472	3 1/2	41/64	55/64	13/16	129/64	35/64	1,496					
UKTX06+HE2306	1																			
<b>UKTX07+H2307</b>	<b>30</b>	19	17	83	49	29	83	16	102	114	144	36	49	88	43	27645	16910	<b>UKX07+H2307</b> UKX07+HS2307	<b>TX07</b>	2,6
UKTX07+HS2307	11/8	¾	21/32	317/64	115/16	19/64	317/64	0,630	41/64	431/64	543/64	113/32	115/16	315/32	1,811					
<b>UKTX08+H2308</b>	<b>35</b>	19	17	83	49	29	83	16	102	117	144	36	49	87	46	32395	20235	<b>UKX08+H2308</b> UKX08+HE2308 UKX08+HS2308	<b>TX08</b>	2,6
UKTX08+HE2308	1 1/4	¾	21/32	317/64	115/16	19/64	317/64	0,630	41/64	439/64	543/64	113/32	115/16	327/64	1,811					
UKTX08+HS2308	13/8																			
<b>UKTX09+H2309</b>	<b>40</b>	19	18	83	49	29	86	16	102	117	151	38	49	92	50	33345	22135	<b>UKX09+H2309</b> UKX09+HA2309 UKX09+HE2309 UKX09+HS2309	<b>TX09</b>	2,9
UKTX09+HA2309	17/16	¾	23/32	317/64	115/16	19/64	325/64	0,630	41/64	439/64	515/16	1 1/2	115/16	35/8	1,969					
UKTX09+HE2309	1 1/2																			
UKTX09+HS2309	15/8																			
<b>UKTX10+H2310</b>	<b>45</b>	25	21	102	64	35	95	22	130	146	171	42	64	106	55	41230	27930	<b>UKX10+H2310</b> UKX10+HS2310 UKX10+HA2310 UKX10+HE2310	<b>TX10</b>	4,4
UKTX10+HS2310	15/8	111/16	63/64	13/16	41/64	21/32	13/8	3 3/4	0,866	51/8	5 3/4	647/64	121/32	233/64	411/64					
UKTX10+HA2310	111/16																			
UKTX10+HE2310	1 3/4																			
<b>UKTX11+H2311</b>	<b>50</b>	32	21	102	64	35	102	22	130	146	194	44	64	119	59	49780	34390	<b>UKX11+H2311</b> UKX11+HS2311 UKX11+HA2311 UKX11+HE2311	<b>TX11</b>	5,1
UKTX11+HS2311	17/8	115/16	117/64	13/16	41/64	21/32	13/8	41/64	0,866	51/8	5 3/4	741/64	123/32	233/64	411/16					
UKTX11+HA2311	115/16																			
UKTX11+HE2311	2																			
<b>UKTX12+H2312</b>	<b>55</b>	32	23	111	70	41	121	26	151	167	224	48	70	137	62	54340	38095	<b>UKX12+H2312</b> UKX12+HS2312	<b>TX12</b>	7,3
UKTX12+HS2312	21/8	117/64	29/32	43/8	2 3/4	139/64	449/64	1,024	515/16	637/64	813/16	157/64	2 3/4	525/64	2,441					
<b>UKTX13+H2313</b>	<b>60</b>	32	23	111	70	41	121	26	151	167	224	48	70	137	65	59090	41895	<b>UKX13+H2313</b> UKX13+HA2313 UKX13+HE2313 UKX13+HS2313	<b>TX13</b>	7,2
UKTX13+HA2313	23/16	117/64	29/32	43/8	2 3/4	139/64	449/64	1,024	515/16	637/64	813/16	157/64	2 3/4	525/64	2,559					
UKTX13+HE2313	2 1/4																			
UKTX13+HS2313	23/8																			
<b>UKTX15+H2315</b>	<b>65</b>	32	23	111	70	41	121	26	151	167	232	48	70	140	73	69065	50350	<b>UKX15+H2315</b> UKX15+HA2315 UKX15+HS2315	<b>TX15</b>	8,4
UKTX15+HA2315	27/16	117/64	29/32	43/8	2 3/4	139/64	449/64	1,024	515/16	637/64	99/64	157/64	2 3/4	533/64	3,559					
UKTX15+HE2315	23/8																			
<b>UKTX16+H2316</b>	<b>70</b>	38	30	124	73	48	157	28	173	198	260	54	73	162	78	79800	58805	<b>UKX16+H2316</b> UKX16+HA2316 UKX16+HS2316	<b>TX16</b>	11,8
UKTX16+HA2316	211/16	1 1/2	13/16	47/8	27/8	157/64	63/16	1,102	613/16	751/64	1015/64	21/8	27/8	63/8	3,071					
UKTX16+HE2316	2 3/4																			
<b>UKTX17+H2317</b>	<b>75</b>	38	30	124	73	48	157	28	173	198	260	54	73	162	82	91295	67925	<b>UKX17+H2317</b> UKX17+HA2317 UKX17+HE2317	<b>TX17</b>	11,4
UKTX17+HA2317	215/16	1 1/2	13/16	47/8	27/8	157/64	63/16	1,102	613/16	751/64	1015/64	21/8	27/8	63/8	3,228					
UKTX17+HS2317	3																			

Bussole HA; HE; HS con filettatura in pollici  
Inch dimension adapter sleeves HA; HE; HS



**PUCT2 Serie normale - Standard duty**


Tipo Type	Dimensioni - Dimensions																Peso Weight  kg
	d	A	B	C	D	E	F	G	H	J	K	N	O	P	S	T	
	mm/inch																
PUCT204	20	380	80	60	20	120	11	194	320	18,3	28	45	12,7	5	154	160	4,4
PUCT205	25	380	80	60	20	120	11	194	320	19,7	28	45	14,3	5	154	160	4,4
PUCT206	30	480	95	64	20	158	11	206	400	22,2	32	45	15,9	5	166	210	6,2
PUCT207	35	480	95	64	20	158	11	206	400	25,4	32	45	17,5	5	166	210	6,5
PUCT208	40	600	105	58	22	220	13	234	520	30,2	32	50	19	5	190	310	10,9
PUCT209	45	600	105	58	22	220	13	234	520	30,2	32	50	19	5	190	310	10,8
PUCT210	50	600	105	58	22	220	13	234	520	32,6	32	50	19	5	190	310	11
PUCT211	55	680	125	55	25	250	15	284	580	33,4	45	70	22,2	6	240	330	20,4
PUCT212	60	680	125	55	25	250	15	284	580	39,7	45	70	25,4	6	240	330	21,3
PUCT213	65	790	155	66	22	306	18	303	700	39,7	51	75	25,4	6	258	390	28,3
PUCT214	70	790	155	66	22	306	18	303	700	44,4	51	75	30,2	6	258	390	28,1
PUCT215	75	790	155	66	22	306	18	303	700	44,5	51	75	33,3	6	258	390	28,7
PUCT216	80	890	165	75	25	230*	18	336	790	49,3	62	90	33,3	10	286	460	38,2
PUCT217	85	920	180	75	25	240*	18	361	820	51,6	62	100	34,1	10	311	460	44

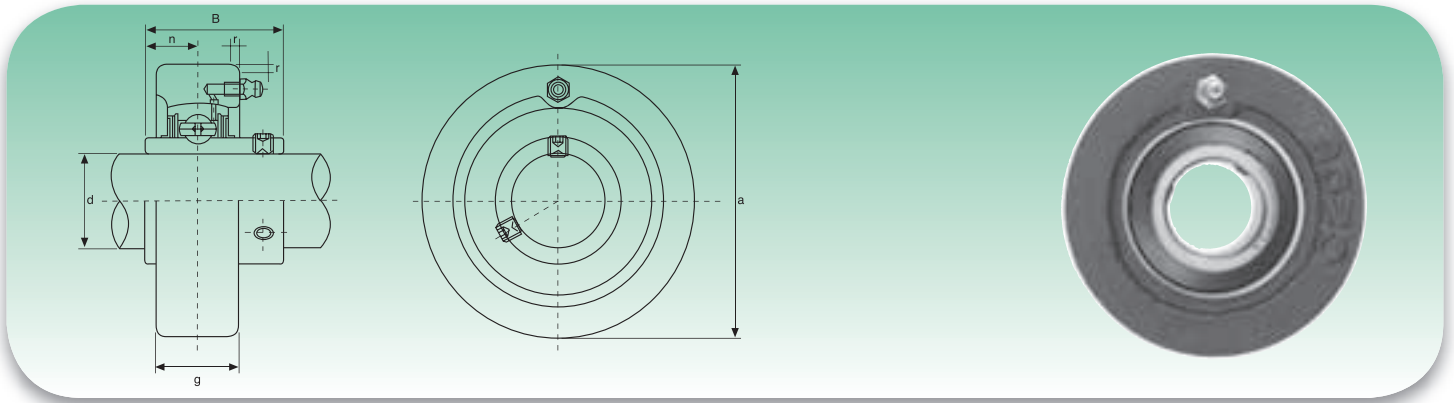
\* Piastre con quattro fori di fissaggio  
Stretch skid with four fixing hole

**PIASTRA CON TENDITORE PER UCT - STRETCH SKID FOR UCT**
**PUCTX2 Serie media - Medium duty**

Tipo Type	Dimensioni - Dimensions																Peso Weight  kg
	d	A	B	C	D	E	F	G	H	J	K	N	O	P	S	T	
	mm/inch																
PUCTX-05	25	480	95	64	20	158	11	206	400	22,2	32	45	15,9	5	166	210	6,8
PUCTX-06	30	480	95	64	20	158	11	206	400	25,4	32	45	17,5	5	166	210	7,0
PUCTX-07	35	600	105	58	22	220	13	234	520	30,2	32	50	19,0	5	190	310	11,1
PUCTX-08	40	600	105	58	22	220	13	234	520	30,2	32	50	19,0	5	190	310	11,1
PUCTX-09	45	600	105	58	22	220	13	234	520	32,6	32	50	19,0	5	190	310	11,3
PUCTX-10	50	680	125	55	25	250	15	284	580	33,4	45	70	22,2	6	240	330	20,1
PUCTX-11	55	680	125	55	25	250	15	284	580	39,7	45	70	25,4	6	240	330	20,9
PUCTX-12	60	790	155	66	22	306	18	303	700	39,7	51	75	25,4	6	258	390	28,1
PUCTX-13	65	790	155	66	22	306	18	303	700	44,4	51	75	30,2	6	258	390	28,3
PUCTX-14	70	790	155	66	22	306	18	303	700	44,5	51	75	33,3	6	258	390	28,6
PUCTX-15	75	890	165	75	25	230*	18	336	790	49,3	62	90	33,3	10	286	460	38,1
PUCTX-16	80	920	180	75	25	240*	18	365	820	51,6	62	100	34,1	10	315	460	49,5
PUCTX-17	85	920	180	75	25	240*	18	365	820	56,3	62	100	39,7	10	315	460	49,4

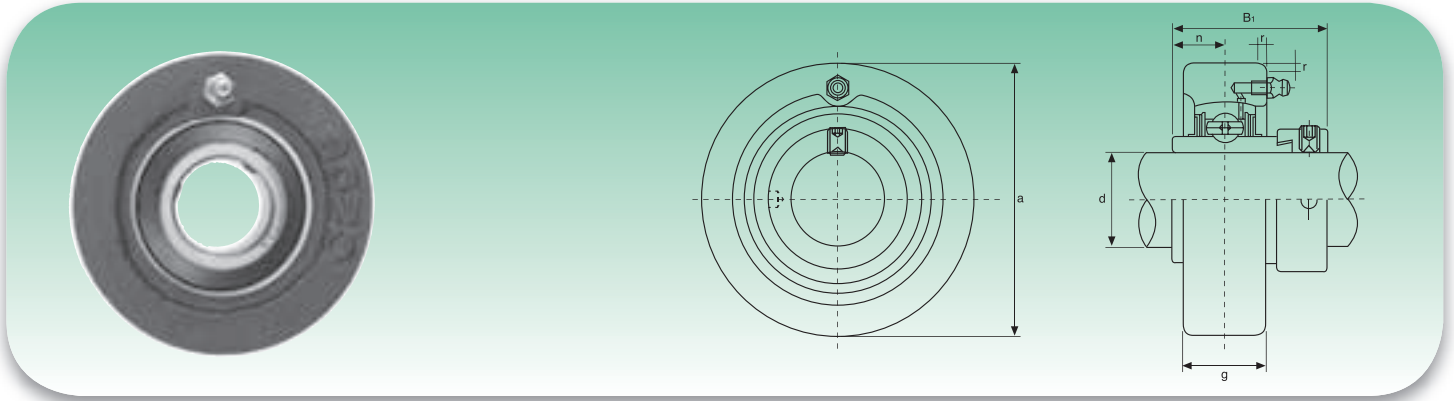
\* Piastre con quattro fori di fissaggio  
Stretch skid with four fixing hole

UCC2 Serie normale - Standard duty



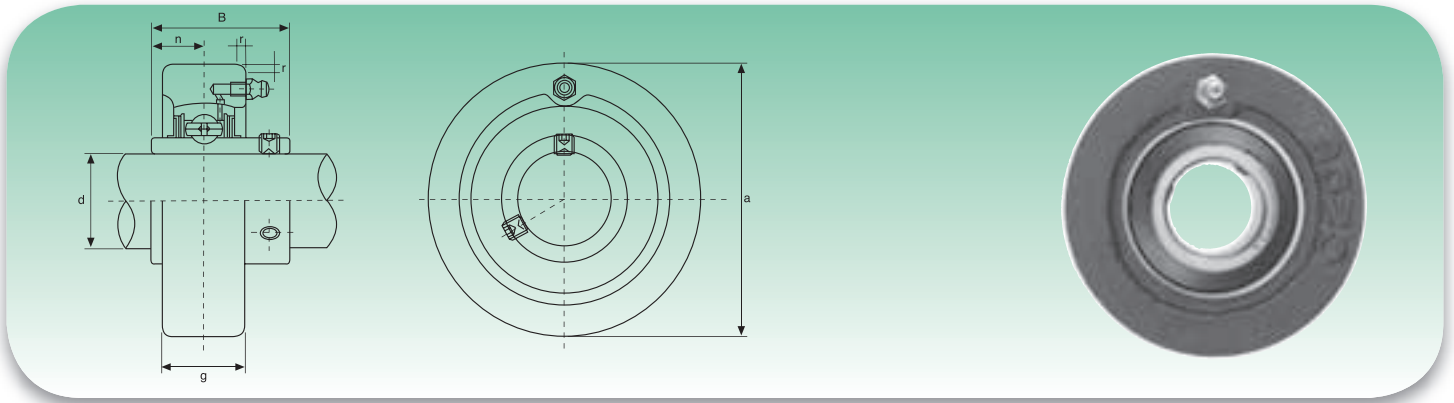
Tipo Type	Dimensioni - Dimensions						Coefficienti di carico (N) Load ratings (N)		Cuscinetto Bearing	Supporto Housing	Peso Weight
	d	a	g	r	B	n	Dinamico C Dynamic C	Statico C <sub>0</sub> Static C <sub>0</sub>			
	mm/inch										kg
<b>UCC201</b>	<b>12</b>	72	20	2	31	12,7	12160	6318	<b>UC201</b>	<b>C204</b>	0,52
UCC201-8	1/2	2,8346	25/32	0,079	1,2205	0,500			UC201-8		0,51
<b>UCC202</b>	<b>15</b>	72	20	2	31	12,7	12160	6318	<b>UC202</b>	<b>C204</b>	0,51
UCC202-9	9/16	2,8346	25/32	0,079	1,2205	0,500			UC202-9		0,51
UCC202-10	5/8								UC202-10		0,51
<b>UCC203</b>	<b>17</b>	72	20	2	31	12,7	12160	6318	<b>UC203</b>	<b>C204</b>	0,50
UCC203-11	11/16	2,8346	25/32	0,079	1,2205	0,500			UC203-11		0,49
<b>UCC204</b>	<b>20</b>	72	20	2	31	12,7	12160	6318	<b>UC204</b>	<b>C204</b>	0,48
UCC204-12	3/4	2,8346	25/32	0,079	1,2205	0,500			UC204-12		0,48
<b>UCC205</b>	<b>25</b>	80	22	2	34,1	14,3	13300	7457	<b>UC205</b>	<b>C205</b>	0,63
UCC205-13	13/16	3,1496	55/64	0,079	1,3425	0,563			UC205-13		0,67
UCC205-14	7/8								UC205-14		0,66
UCC205-15	15/16								UC205-15		0,64
UCC205-16	1								UC205-16		0,63
<b>UCC206</b>	<b>30</b>	85	27	2	38,1	15,9	18525	10735	<b>UC206</b>	<b>C206</b>	0,80
UCC206-17	11/16	3,3465	11/16	0,079	1,5000	0,626			UC206-17		0,83
UCC206-18	11/8								UC206-18		0,82
UCC206-19	13/16								UC206-19		0,80
UCC206-20	1 1/4								UC206-20		0,79
<b>UCC207</b>	<b>35</b>	90	28	2	42,9	17,5	24415	14630	<b>UC207</b>	<b>C207</b>	0,93
UCC207-20	1 1/4	3,5433	17/64	0,079	1,6890	0,689			UC207-20		0,99
UCC207-21	15/16								UC207-21		0,96
UCC207-22	13/8								UC207-22		0,93
UCC207-23	17/16								UC207-23		0,90
<b>UCC208</b>	<b>40</b>	100	30	2,5	49,2	19	27645	16910	<b>UC208</b>	<b>C208</b>	1,22
UCC208-24	1 1/2	3,9370	13/16	0,098	1,9370	0,748			UC208-24		1,26
UCC208-25	19/16								UC208-25		1,23
<b>UCC209</b>	<b>45</b>	110	31	2,5	49,2	19	32395	20235	<b>UC209</b>	<b>C209</b>	1,49
UCC209-26	15/8	4,3307	17/32	0,098	1,9370	0,748			UC209-26		1,59
UCC209-27	111/16								UC209-27		1,55
UCC209-28	1 3/4								UC209-28		1,51
<b>UCC210</b>	<b>50</b>	120	33	2,5	51,6	19	33345	22135	<b>UC210</b>	<b>C210</b>	1,90
UCC210-29	113/16	4,7244	119/64	0,098	2,0315	0,748			UC210-29		2,02
UCC210-30	17/8								UC210-30		1,97
UCC210-31	115/16								UC210-31		1,92
UCC210-32	2								UC210-32		1,88
<b>UCC211</b>	<b>55</b>	125	35	2,5	55,6	22,2	41230	27930	<b>UC211</b>	<b>C211</b>	2,18
UCC211-32	2	4,9213	13/8	0,098	2,1890	0,874			UC211-32		2,33
UCC211-33	21/16								UC211-33		2,27
UCC211-34	21/8								UC211-34		2,22
UCC211-35	23/16								UC211-35		2,16
<b>UCC212</b>	<b>60</b>	130	38	2,5	65,1	25,4	49780	34390	<b>UC212</b>	<b>C212</b>	2,52
UCC212-36	2 1/4	5,1181	1 1/2	0,098	2,5630	1,000			UC212-36		2,65
UCC212-37	25/16								UC212-37		2,57
UCC212-38	23/8								UC212-38		2,50
UCC212-39	27/16								UC212-39		2,43
<b>UCC213</b>	<b>65</b>	140	40	3	65,1	25,4	54340	38095	<b>UC213</b>	<b>C213</b>	2,98
UCC213-40	2 1/2	5,5118	137/64	0,118	2,5630	1,000			UC213-40		3,07
UCC213-41	29/16								UC213-41		2,98

Disponibile in acciaio inox Supporto: AISI 304 - Cuscinetto: AISI 440C o 420C - Available stainless steel Housing: AISI 304 - Bearing: AISI 440C or 420C  
 Disponibile su richiesta con cuscinetto SA (SACC) - Available under request with SA bearing (SACC)

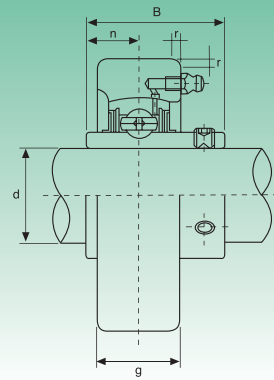
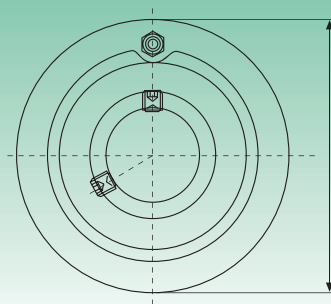
**HCC2 Serie normale - Normal duty**


Tipo Type	Dimensioni - Dimensions						Coefficienti di carico (N) Load ratings (N)		Cuscinetto Bearing	Supporto Housing	Peso Weight					
	d	a	g	r	B <sub>1</sub>	n	Dinamico C Dynamic C	Statico C <sub>0</sub> Static C <sub>0</sub>								
	mm/inch										kg					
<b>HCC204</b>	<b>20</b>	72	20	2	43,7	17,1	12160	6318	<b>HC204</b>	<b>C204</b>	0,55					
HCC204-12	¾	2,8346	25/32	0,079	1,720	0,673			0,55							
<b>HCC205</b>	<b>25</b>	80	22	2	44,4	17,5	13300	7457	<b>HC205</b>	<b>C205</b>	0,70					
HCC205-13	13/16	3,1496	55/64	0,079	1,748	0,689			0,75							
HCC205-14	7/8								0,74							
HCC205-15	15/16								0,72							
HCC205-16	1								0,70							
<b>HCC206</b>	<b>30</b>						85	27	2	48,4	18,3	18525	10735	<b>HC206</b>	<b>C206</b>	0,93
HCC206-17	11/16	3,3465	11/16	0,079	1,906	0,720	0,98									
HCC206-18	11/8						0,95									
HCC206-19	13/16						0,93									
HCC206-20	1¼						0,90									
<b>HCC207</b>	<b>35</b>						90	28	2	51,1	18,8			24415		14630
HCC207-20	1¼						3,5433	17/64	0,079	2,012	0,740	1,12				
HCC207-21	15/16	1,08														
HCC207-22	13/8	1,05														
HCC207-23	17/16	1,02														
<b>HCC208</b>	<b>40</b>	100	30	2,5	56,3	21,4						27645	16910	<b>HC208</b>	<b>C208</b>	1,37
HCC208-24	1½	3,9370	13/16	0,098	2,217	0,843	1,42									
HCC208-25	19/16						1,38									
<b>HCC209</b>	<b>45</b>						110	31	2,5	56,3	21,4	32395	20235	<b>HCF209</b>	<b>C209</b>	1,66
HCC209-26	15/8	4,3307	17/32	0,098	2,217	0,843	1,77									
HCC209-27	111/16						1,72									
HCC209-28	1¾						1,68									
<b>HCC210</b>	<b>50</b>						120	33	2,5	62,7	24,6	33345	22135	<b>HCF210</b>	<b>C210</b>	2,09
HCC210-29	113/16	4,7244	119/64	0,098	2,469	0,969	2,24									
HCC210-30	17/8						2,18									
HCC210-31	115/16						2,12									
HCC210-32	2						2,06									
<b>HCC211</b>	<b>55</b>						125	35	2,5	71,4	27,8	41230	27930	<b>HCF211</b>	<b>C211</b>	2,39
HCC211-32	2	4,9213	13/8	0,098	2,811	1,094	2,59									
HCC211-33	22/16						2,51									
HCC211-34	21/8						2,44									
HCC211-35	23/16						2,36									
<b>HCC212</b>	<b>60</b>						130	38	2,5	77,8	31	49780	34390	<b>HC212</b>	<b>C212</b>	2,86
HCC212-36	2¼	5,1181	1½	0,098	3,063	1,220	3,02									
HCC212-37	25/16						2,93									
HCC212-38	23/8						2,88									
HCC212-39	27/16						2,75									

UCC3 Serie media - Medium duty

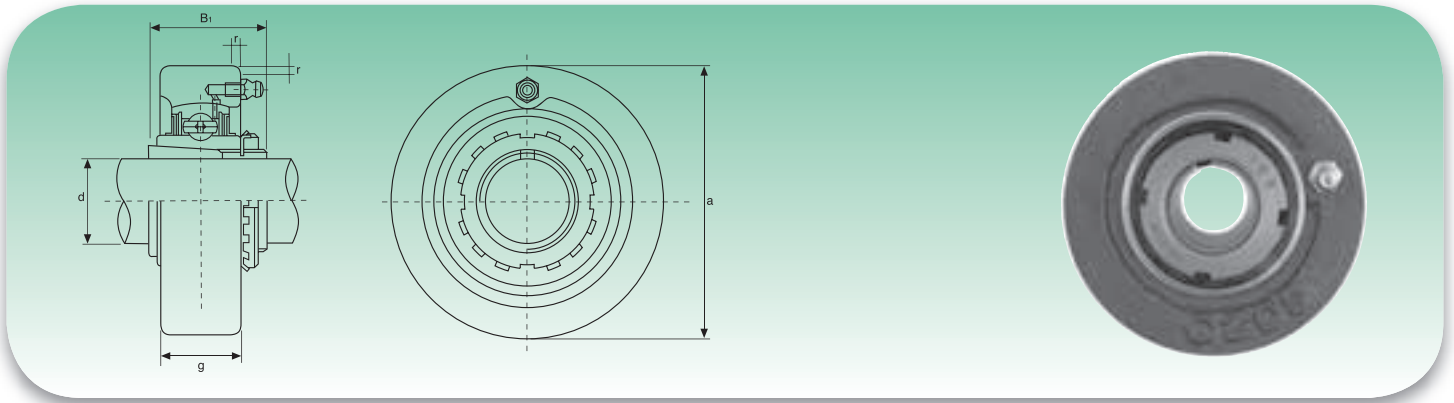


Tipo Type	Dimensioni - Dimensions						Coefficienti di carico (N) Load ratings (N)		Cuscinetto Bearing	Supporto Housing	Peso Weight
	d	a	g	r	B	n	Dinamico C Dynamic C	Statico C <sub>0</sub> Static C <sub>0</sub>			
	mm/inch										kg
<b>UCC305</b>	<b>25</b>	90	26	2,5	38	15	20140	10355	<b>UC305</b>	<b>C305</b>	1,10
UCC305-13	13/16										1,15
UCC305-14	7/8	3,5433	11/32	0,098	1,4961	0,591					1,13
UCC305-15	15/16										1,11
UCC305-16	1										1,10
<b>UCC306</b>	<b>30</b>	100	28	2,5	43	17	25365	14250	<b>UC306</b>	<b>C306</b>	1,40
UCC306-17	11/16										1,45
UCC306-18	11/8	3,9370	17/64	0,098	1,6929	0,669					1,42
UCC306-19	13/16										1,40
<b>UCC307</b>	<b>35</b>	110	32	3	48	19	31730	18335	<b>UC307</b>	<b>C307</b>	1,80
UCC307-20	1 1/4										1,86
UCC307-21	15/16	4,3307	11/64	0,118	1,8897	0,748					1,83
UCC307-22	13/8										1,80
UCC307-23	17/16										1,78
<b>UCC308</b>	<b>40</b>	120	34	3	52	19	38665	22800	<b>UC308</b>	<b>C308</b>	2,20
UCC308-24	1 1/2										2,25
UCC308-25	19/16	4,7244	111/32	0,118	2,0472	0,748					2,21
<b>UCC309</b>	<b>45</b>	130	38	3,5	57	22	46455	28025	<b>UC309</b>	<b>C309</b>	2,70
UCC309-26	15/8										2,81
UCC309-27	111/16	2,1181	1 1/2	0,138	2,441	0,866					2,77
UCC309-28	1 3/4										2,72
<b>UCC310</b>	<b>50</b>	140	40	3,5	61	22	58900	36385	<b>UC310</b>	<b>C310</b>	3,30
UCC310-29	113/16										3,62
UCC310-30	17/8	5,118	137/64	0,138	2,4015	0,866					3,39
UCC310-31	115/16										3,33
<b>UCC311</b>	<b>55</b>	150	44	3,5	66	25	68020	42750	<b>UC311</b>	<b>C311</b>	3,90
UCC311-32	2										1,08
UCC311-33	21/16	5,9055	147/64	0,138	2,5984	0,984					4,01
UCC311-34	21/8										3,95
UCC311-35	23/16										3,87
<b>UCC312</b>	<b>60</b>	160	46	3,5	71	26	77805	49590	<b>UC312</b>	<b>C312</b>	4,80
UCC312-36	2 1/4										4,95
UCC312-37	25/16	6,2992	113/16	0,138	2,7953	1,024					4,87
UCC312-38	23/8										4,78
UCC312-39	27/16										4,70
<b>UCC313</b>	<b>65</b>	170	50	3,5	75	30	88065	56905	<b>UC313</b>	<b>C313</b>	5,80
UCC313-40	2 1/2										5,89
UCC313-41	29/16	6,6929	131/32	0,138	2,9528	1,181					5,89
<b>UCC314</b>	<b>70</b>	180	52	4	78	33	98800	64790	<b>UC314</b>	<b>C314</b>	6,60
UCC314-42	25/8										6,82
UCC314-43	211/16	7,0866	23/64	0,157	3,0709	1,299					6,71
UCC314-44	2 3/4										6,61
<b>UCC315</b>	<b>75</b>	190	55	4	82	32	107350	73340	<b>UC315</b>	<b>C315</b>	7,80
UCC315-45	213/16										8,07
UCC315-46	27/8	7,4803	211/64	0,157	3,2288	1,260					7,93
UCC315-47	215/16										7,84
UCC315-48	3										7,71
<b>UCC316</b>	<b>80</b>	200	60	4	86	34	116850	82365	<b>UC316</b>	<b>C316</b>	9,05
UCC316-49	31/16										9,22
UCC316-50	31/8	7,8740	223/64	0,157	3,3858	1,339					9,08
UCC316-51	33/16										8,99
<b>UCC317</b>	<b>85</b>	215	64	4	96	40	126350	91960	<b>UC317</b>	<b>C317</b>	10,97
UCC317-52	3 1/4										11,19
UCC317-53	35/16	8,4646	234/64	0,157	3,7795	1,575					11,06
UCC317-54	37/16										10,74
<b>UCC318</b>	<b>90</b>	225	66	4	96	40	135850	101650	<b>UC318</b>	<b>C318</b>	11,96
UCC318-55	37/16										12,25
UCC318-56	3 1/2	8,8583	216/32	0,157	3,7795	1,575					12,07
<b>UCC319</b>	<b>95</b>	240	66	4	103	41	145350	113050	<b>UC319</b>	<b>C319</b>	15,00
UCC319-58	35/8										15,33
UCC319-59	311/16	9,4488	253/64	0,157	4,0551	1,614					15,15
UCC319-60	3 3/4										14,96
<b>UCC320</b>	<b>100</b>	260	75	4	108	42	164350	133950	<b>UC320</b>	<b>C320</b>	19,6
UCC320-64	4	10,2362	261/64	0,157	4,2519	1,645					19,4
<b>UCC322</b>	<b>110</b>	320	90	5	126	46	194750	171000	<b>UC322</b>	<b>C322</b>	29,2
		11,8110	32/32	0,197	4,6063	1,811					
<b>UCC324</b>	<b>120</b>	370	290	5	40	51	196650	175750	<b>UC324</b>	<b>C324</b>	35,9
		12,5984	335/64	0,197	4,9606	2,008					
<b>UCC326</b>	<b>130</b>	340	100	5	135	54	217550	203300	<b>UC326</b>	<b>C326</b>	43,0
		13,3858	315/16	0,197	5,3150	2,126					
<b>UCC328</b>	<b>140</b>	360	100	5	145	59	240350	233700	<b>UC328</b>	<b>C328</b>	52,9
		14,1732	315/16	0,197	5,7086	3,323					



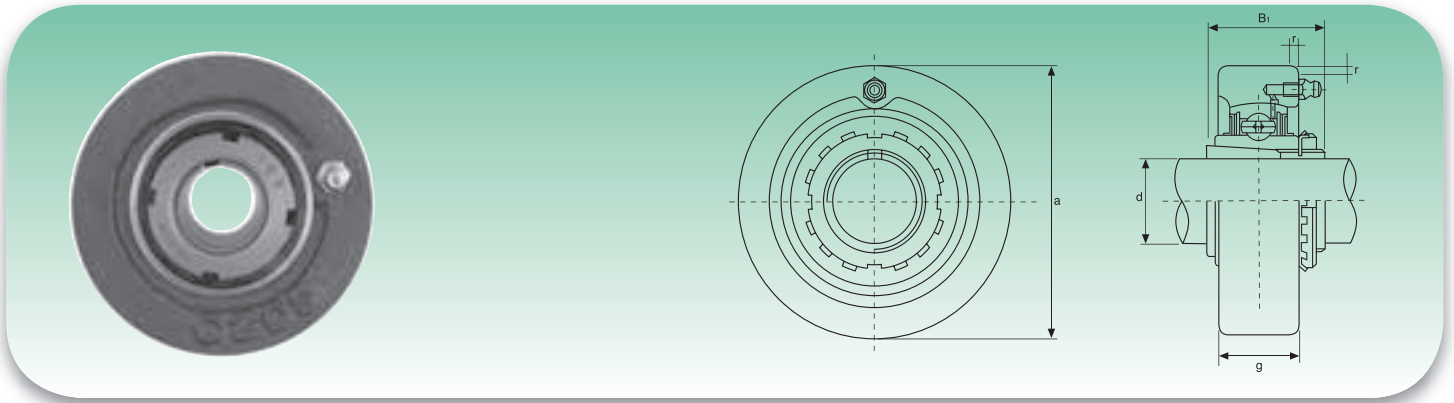
Tipo Type	Dimensioni - Dimensions						Coefficienti di carico (N) Load ratings (N)		Cuscinetto Bearing	Supporto Housing	Peso Weight kg
	d	a	g	r	B	n	Dinamico C Dynamic C	Statico C <sub>0</sub> Static C <sub>0</sub>			
	mm/inch										
<b>UCCX05</b>	<b>25</b>	90	27	2	38,1	15,9			<b>UCCX05</b>		
UCCX05-13	13/16								UCX05-13		
UCCX05-14	7/8	3,5433	11/16	0,079	1,5000	0,626	18525	10735	UCX05-14	<b>CX05</b>	1,1
UCCX05-15	15/16								UCX05-15		
UCCX05-16	1								UCX05-16		
<b>UCCX06</b>	<b>30</b>	100	30	2,5	42,9	17,5			<b>UCCX06</b>		
UCCX06-17	11/16								UCX06-17		
UCCX06-18	11/8	3,9370	13/16	0,098	1,6890	0,689	24415	14630	UCX06-18	<b>CX06</b>	1,6
UCCX06-19	13/16								UCX06-19		
UCCX06-20	1¼								UCX06-20		
<b>UCCX07</b>	<b>35</b>	110	34	2,5	49,2	19			<b>UCCX07</b>		
UCCX07-21	15/16								UCX07-21		
UCCX07-22	13/8	4,3307	111/32	0,098	1,9370	0,748	27645	16910	UCX07-22	<b>CX07</b>	2,0
UCCX07-23	17/16								UCX07-23		
<b>UCCX08</b>	<b>40</b>	120	38	2,5	49,2	19			<b>UCCX08</b>		
UCCX08-24	1½	4,7244	1½	0,098	1,9370	0,748	32395	20235	UCX08-24	<b>CX08</b>	2,5
UCCX08-25	19/16								UCX08-25		
<b>UCCX09</b>	<b>45</b>	120	38	2,5	51,6	19			<b>UCCX09</b>		
UCCX09-26	15/8								UCX09-26		
UCCX09-27	111/16	4,7244	1½	0,098	2,0315	0,748	33345	22135	UCX09-27	<b>CX09</b>	2,4
UCCX09-28	1¾								UCX09-28		
UCCX09-29	113/16								UCX09-29		
<b>UCCX10</b>	<b>50</b>	130	40	2,5	55,6	22,2			<b>UCCX10</b>		
UCCX10-30	17/8								UCX10-30		
UCCX10-31	115/16	5,1181	137/64	0,098	2,1890	0,874	41230	27930	UCX10-31	<b>CX10</b>	3,0
UCCX10-32	2								UCX10-32		
<b>UCCX11</b>	<b>55</b>	150	42	3	65,1	25,4			<b>UCCX11</b>		
UCCX11-33	21/16								UCX11-33		
UCCX11-34	21/8	5,9055	121/32	0,118	2,5630	1,000	49780	34390	UCX11-34	<b>CX11</b>	4,4
UCCX11-35	23/16								UCX11-35		
UCCX11-36	2¼								UCX11-36		
UCCX11-37	25/16								UCX11-37		
<b>UCCX12</b>	<b>60</b>	160	44	3	65,1	25,4			<b>UCCX12</b>		
UCCX12-38	23/8	6,2992	147/64	0,118	2,5630	1,000	54340	38095	UCX12-38	<b>CX12</b>	5,0
UCCX12-39	27/16								UCX12-39		

UKC2 Serie normale - Standard duty



Tipo Type	Dimensioni - Dimensions					Coefficients di carico (N) Load ratings (N)		Cuscinetto Bearing	Supporto Housing	Peso Weight kg
	d	a	g	r	B <sub>1</sub>	Dinamico C Dynamic C	Statico C <sub>0</sub> Static C <sub>0</sub>			
	mm/inch									
<b>UKC205+H2305</b>	<b>20</b>	80	22	2	35	13300	7457	<b>UK205+H2305</b>	<b>C205</b>	0,68
UKC205+HE2305	¾	3,1496	55/64	0,079	1,378			UK205+HE2305		
<b>UKC206+H2306</b>	<b>25</b>	85	27	2	38	18525	10735	<b>UK206+H2306</b>	<b>C206</b>	0,84
UKC206+HS2306	7/8	3,3465	11/16	0,079	1,496			UK206+HS2306		
UKC206+HE2306	1							UK206+HE2306		
<b>UKC207+H2307</b>	<b>30</b>	90	28	2	43	24415	14630	<b>UK207+H2307</b>	<b>C207</b>	1,02
UKC207+HS2307	11/8	3,5433	17/64	0,079	1,693			UK207+HS2307		
<b>UKC208+H2308</b>	<b>35</b>	100	30	2,5	46	27645	16910	<b>UK208+H2308</b>	<b>C208</b>	1,32
UKC208+HE2308	1¼	3,9370	13/16	0,098	1,811			UK208+HE2308		
UKC208+HS2308	13/8							UK208+HS2308		
<b>UKC209+H2309</b>	<b>40</b>	110	31	2,5	50	32395	20235	<b>UK209+H2309</b>	<b>C209</b>	1,64
UKC209+HA2309	17/16	4,3307	17/32	0,098	1,969			UK209+HA2309		
UKC209+HE2309	1½							UK209+HE2309		
UKC209+HS2309	15/8							UK209+HS2309		
<b>UKC210+H2310</b>	<b>45</b>	120	33	2,5	55	33345	22135	<b>UK210+H2310</b>	<b>C210</b>	2,07
UKC210+HS2310	15/8	4,7244	119/64	0,098	2,165			UK210+HS2310		
UKC210+HA2310	111/16							UK210+HA2310		
UKC210+HE2310	1¾							UK210+HE2310		
<b>UKC211+H2311</b>	<b>50</b>	125	35	2,5	59	41230	27930	<b>UK211+H2311</b>	<b>C211</b>	2,33
UKC211+HS2311	17/8	4,9213	13/6	0,098	2,323			UK211+HS2311		
UKC211+HA2311	115/16							UK211+HA2311		
UKC211+HE2311	2							UK211+HE2311		
<b>UKC212+H2312</b>	<b>55</b>	130	38	2,5	62	49780	34390	<b>UK212+H2312</b>	<b>C212</b>	2,57
UKC212+HS2312	21/8	5,1181	1½	0,098	2,441			UK212+HS2312		
<b>UKC213+H2313</b>	<b>60</b>	140	40	3	65	54340	38095	<b>UK213+H2313</b>	<b>C213</b>	2,89
UKC213+HA2313	23/16	5,5118	137/64	0,118	2,559			UK213+HA2313		
UKC213+HE2313	2¼							UK213+HE2313		
UKC213+HS2313	23/8							UK213+HS2313		

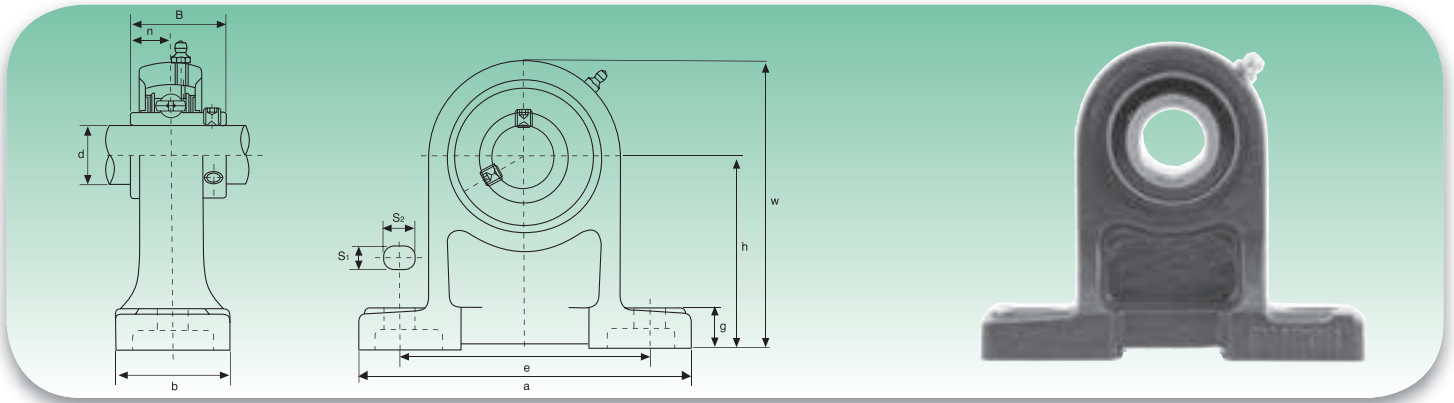
Bussole HA; HE; HS con filettatura in pollici  
Inch dimension adapter sleeves HA; HE; HS

**UKCX Serie media - Medium duty**


Tipo Type	Dimensioni - Dimensions					Coefficienti di carico (N) Load ratings (N)		Cuscinetto Bearing	Supporto Housing	Peso Weight kg
	d	a	g	r	B <sub>1</sub>	Dinamico C Dynamic C	Statico C <sub>0</sub> Static C <sub>0</sub>			
	mm/inch									
<b>UKCX05+H2305</b>	<b>20</b>	90	27	2	35	18525	10735	<b>UKX05+H2305</b>	<b>CX05</b>	0,99
UKCX05+HE2305	¾	3,5433	11/16	0,079	1,378			UKX05+HE2305		
<b>UKCX06+H2306</b>	<b>25</b>	100	30	2,5	38	24415	14630	<b>UKX06+H2306</b>	<b>CX06</b>	1,3
UKCX06+HS2306	7/8	3,9370	13/16	0,098	1,496			UKX06+HS2306		
UKCX06+HE2306	1							UKX06+HE2306		
<b>UKCX07+H2307</b>	<b>30</b>	110	34	2,5	43	27645	16910	<b>UKX07+H2307</b>	<b>CX07</b>	1,7
UKCX07+HS2307	11/8	4,3307	111/32	0,098	1,693			UKX07+HS2307		
<b>UKCX08+H2308</b>	35	120	38	2,5	46	32395	20235	<b>UKX08+H2308</b>	<b>CX08</b>	2,3
UKCX08+HE2308	1¼	4,7244	1½	0,098	1,811			UKX08+HE2308		
UKCX08+HS2308	13/8							UKX08+HS2308		
<b>UKCX09+H2309</b>	<b>40</b>	120	38	2,5	50	33345	22135	<b>UKX09+H2309</b>	<b>CX09</b>	2,3
UKCX09+HA2309	17/16	4,7244	1½	0,098	1,969			UKX09+HA2309		
UKCX09+HE2309	1½							UKX09+HE2309		
UKCX09+HS2309	15/8							UKX09+HS2309		
<b>UKCX10+H2310</b>	<b>45</b>	130	40	2,5	55	41230	27930	<b>UKX10+H2310</b>	<b>CX10</b>	2,8
UKCX10+HS2310	15/8	5,1181	137/64	0,098	2,165			UKX10+HS2310		
UKCX10+HA2310	111/16							UKX10+HA2310		
UKCX10+HE2310	1¾							UKX10+HE2310		
<b>UKCX11+H2311</b>	<b>50</b>	150	42	3	59	49780	34390	<b>UKX11+H2311</b>	<b>CX11</b>	3,8
UKCX11+HS2311	117/8	5,9055	121/32	0,118	2,323			UKX11+HS2311		
UKCX11+HA2311	115/16							UKX11+HA2311		
UKCX11+HE2311	2							UKX11+HE2311		
<b>UKCX12+H2312</b>	<b>55</b>	130	38	2,5	62	54340	38095	<b>UKX12+H2312</b>	<b>CX12</b>	4,4
UKCX12+HS2312	21/8	6,2992	123/32	0,118	2,441			UKX12+HS2312		

Bussole HA; HE; HS con filettatura in pollici  
Inch dimension adapter sleeves HA; HE; HS

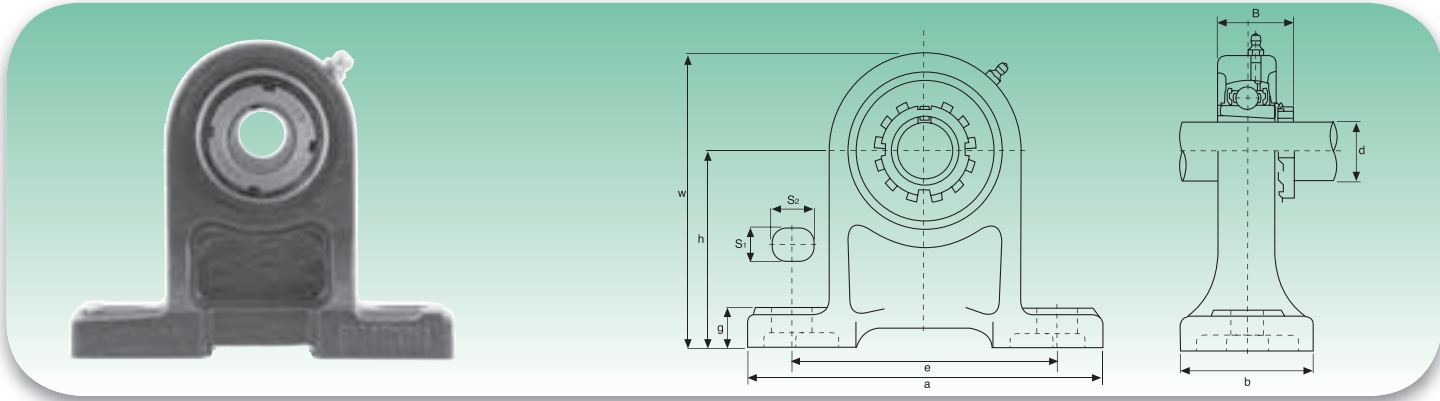
UCPH2 Serie normale - Standard duty



Tipo Type	Dimensioni - Dimensions											Bull. fess. Bolt Size	Coefficients di carico (N) Load ratings (N)		Cuscinetto Bearing	Supporto Housing	Peso Weight	
	d	h	a	e	b	S <sub>1</sub>	S <sub>2</sub>	g	w	B	n		Dinamico C Dynamic C	Statico C <sub>0</sub> Static C <sub>0</sub>				kg
	mm/inch												mm/inch					
UCPH201 UCPH201-8	12 ½	70 2¾	127 5	95 3¾	40 19/16	13 ½	19 ¾	15 19/32	101 363/64	31 1,2205	12,7 0,500	M10 3/8	12160	6318	UC201 UC201-8	PH203	0,81 0,80	
UCPH202 UCPH202-9 UCPH202-10	15 9/16 5/8	70 2¾	127 5	95 3¾	40 19/16	13 ½	19 ¾	15 19/32	101 363/64	31 1,2205	12,7 0,500	M10 3/8	12160	6318	UC202 UC202-9 UC202-10	PH203	0,80 0,80 0,80	
UCPH203 UCPH203-11	17 11/16	70 2¾	127 5	95 3¾	40 19/16	13 ½	19 ¾	15 19/32	101 363/64	31 1,2205	12,7 0,500	M10 3/8	12160	6318	UC203 UC203-11	PH203	0,79 0,78	
UCPH204 UCPH204-12	20 ¾	70 2¾	127 5	95 3¾	40 19/16	13 ½	19 ¾	15 19/32	101 363/64	31 1,2205	12,7 0,500	M10 3/8	12160	6318	UC204 UC204-12	PH204	0,77 0,77	
UCPH205 UCPH205-13 UCPH205-14 UCPH205-15 UCPH205-16	25 13/16 7/8 15/16 1	80 35/32	140 5½	105 41/8	50 131/32	13 ½	19 ¾	16 5/8	114 431/64	34,1 1,3425	14,3 0,563	M10 3/8	13300	7457	UC205 UC205-13 UC205-14 UC205-15 UC205-16	PH205	1,01 1,05 1,04 1,02 1,01	
UCPH206 UCPH206-17 UCPH206-18 UCPH206-19 UCPH206-20	30 11/16 11/8 13/16 1¼	90 335/64	161 611/32	121 4¾	50 131/32	17 43/64	21 53/64	17 43/64	130 51/8	38,1 1,5000	15,9 0,626	M14 ½	18525	10735	UC206 UC206-17 UC206-18 UC206-19 UC206-20	PH206	1,47 1,50 1,49 1,47 1,46	
UCPH207 UCPH207-20 UCPH207-21 UCPH207-22 UCPH207-23	35 1¼ 15/16 13/8 17/16	95 347/64	166 617/32	127 5	60 223/64	17 43/64	21 53/64	18 45/64	140 533/64	42,9 1,6890	17,5 0,689	M14 ½	24415	14630	UC207 UC207-20 UC207-21 UC207-22 UC207-23	PH207	1,91 1,97 1,94 1,91 1,88	
UCPH208 UCPH208-24 UCPH208-25	40 1½ 19/16	100 315/16	178 71/64	137 513/32	70 2¾	17 43/64	21 53/64	19 ¾	150 529/32	49,2 1,9370	19 0,748	M14 ½	27645	16910	UC208 UC208-24 UC208-25	PH208	2,52 2,56 2,53	
UCPH209 UCPH209-26 UCPH209-27 UCPH209-28	45 15/8 111/16 1¾	105 49/64	189 77/16	146 5¾	70 2¾	17 43/64	21 53/64	20 25/32	158 67/32	49,2 1,9370	19 0,748	M14 ½	32395	20235	UC209 UC209-26 UC209-27 UC209-28	PH209	2,72 2,82 2,78 2,74	
UCPH210 UCPH210-29 UCPH210-30 UCPH210-31 UCPH210-32	50 113/16 17/8 115/16 2	110 421/64	205 85/64	159 6¼	70 2¾	20 25/32	23 29/32	21 53/64	165 6½	51,6 2,0315	19 0,748	M16 5/8	33345	22135	UC210 UC210-29 UC210-30 UC210-31 UC210-32	PH210	3,10 3,22 3,17 3,12 3,08	
UCPH211 UCPH211-32 UCPH211-33 UCPH211-34 UCPH211-35	55 2 21/16 21/8 23/16	120 423/32	219 85/8	171 647/64	75 261/64	20 25/32	23 29/32	22 55/64	181 71/8	55,6 2,1890	22,2 0,874	M16 5/8	41230	27930	UC211 UC211-32 UC211-33 UC211-34 UC211-35	PH211	- - - -	
UCPH212 UCPH212-36 UCPH212-37 UCPH212-38 UCPH212-39	60 2¼ 25/16 23/8 27/16	130 51/8	241 9½	184 7¼	85 311/32	20 25/32	23 29/32	25 63/64	197 7¾	65,1 2,5630	25,4 1,000	M16 5/8	49780	34390	UC212 UC212-36 UC212-37 UC212-38 UC212-39	PH212	- - - -	
UCPH213 UCPH213-40 UCPH213-41	65 2½ 29/16	140 533/64	265 107/16	203 8	95 3¾	25 63/64	28 13/32	27 11/16	212 811/32	65,1 2,5630	25,4 1,000	M20 ¾	54340	38095	UC213 UC213-40 UC213-41	PH213	- - -	
UCPH214 UCPH214-42 UCPH214-43 UCPH214-44	70 25/8 211/16 2¾	150 529/32	266 1015/32	210 817/64	105 59/64	25 63/64	28 13/32	28 17/64	225 855/64	74,6 2,9370	30,2 1,189	M20 ¾	59090	41895	UC214 UC214-42 UC214-43 UC214-44	PH214	- - - -	
UCPH215 UCPH215-45 UCPH215-46 UCPH215-47 UCPH215-48	75 213/16 27/8 215/16 3	160 519/64	275 1053/64	217 835/64	115 417/32	25 63/64	28 13/32	29 19/64	238 93/8	77,8 3,0630	33,3 1,311	M20 ¾	64030	45885	UC215 UC215-45 UC215-46 UC215-47 UC215-48	PH215	- - - -	
UCPH216 UCPH216-49 UCPH216-50 UCPH216-51	80 31/16 31/8 33/16	170 611/16	292 11½	232 91/8	125 459/64	25 63/64	28 13/32	30 13/16	253 961/64	82,6 3,2520	33,3 1,311	M20 ¾	69065	50350	UC216 UC216-49 UC216-50 UC216-51	PH216	- - - -	

Disponibile in acciaio inox Supporto: AISI 304 - Cuscinetto: AISI 440C o 420C - Available stainless steel Housing: AISI 304 - Bearing: AISI 440C or 420C  
Disponibile su richiesta con cuscinetto SA (SAPH) - Available under request with SA bearing (SAPH)

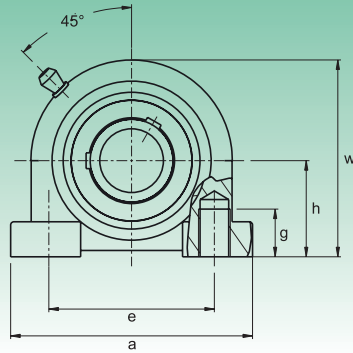
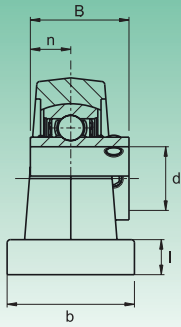


**UKPH2 Serie normale - Standard duty**


Tipo Type	Dimensioni - Dimensions										Bull. fiss. Bolt Size	Coefficienti di carico (N) Load ratings (N)		Cuscinetto Bearing	Supporto Housing	Peso Weight kg
	d	h	a	e	b	S <sub>1</sub>	S <sub>2</sub>	g	w	B <sub>1</sub>		Dinamico C Dynamic C	Statico C <sub>0</sub> Static C <sub>0</sub>			
	mm/inch											mm/inch				
UKPH205+H2305	20	80	140	105	50	13	19	16	114	34,1	M10	13300	7457	UK205+H2305	PH205	1,24
UKPH205+HE2305	¾	35/32	5½	41/8	131/32	½	¾	5/8	431/64	1,3425	3/8			UK205+HE2305		
UKPH206+H2306	25	90	161	121	50	17	21	17	130	38,1	M14	18525	10735	UK206+H2306	PH206	1,64
UKPH206+HS2306	7/8	335/64	611/32	4¾	131/32	43/64	53/64	43/64	51/8	1,5000	½			UK206+HS2306		
UKPH206+HE2306	1													UK206+HE2306		
UKPH207+H2307	30	95	166	127	60	17	21	18	140	42,9	M14	24415	14630	UK207+H2307	PH207	2,03
UKPH207+HS2307	11/8	347/64	617/32	5	223/64	43/64	53/64	45/64	533/64	1,6890	½			UK207+HS2307		
UKPH208+H2308	35	100	178	137	70	17	21	19	150	49,2	M14	27645	16910	UK208+H2308	PH208	2,72
UKPH208+HE2308	1¼	315/16	71/64	512/32	2¾	43/64	53/64	¾	529/32	1,9370	½			UK208+HE2308		
UKPH208+HS2308	13/8													UK208+HS2308		
UKPH209+H2309	40	105	189	146	70	17	21	20	158	49,2	M14	32395	20235	UK209+H2309	PH209	3,09
UKPH209+HA2309	17/16	49/64	77/16	5¾	2¾	43/64	53/64	25/32	67/32	1,9370	½			UK209+HA2309		
UKPH209+HE2309	1½													UK209+HE2309		
UKPH209+HS2309	15/8													UK209+HS2309		
UKPH210+H2310	45	110	205	159	70	20	23	21	165	51,6	M16	33345	22135	UK210+H2310	PH210	3,59
UKPH210+HS2310	15/8	421/64	85/64	6¼	2¾	25/32	29/32	53/64	6½	2,0315	5/8			UK210+HS2310		
UKPH210+HA2310	111/16													UK210+HA2310		
UKPH210+HE2310	1¾													UK210+HE2310		

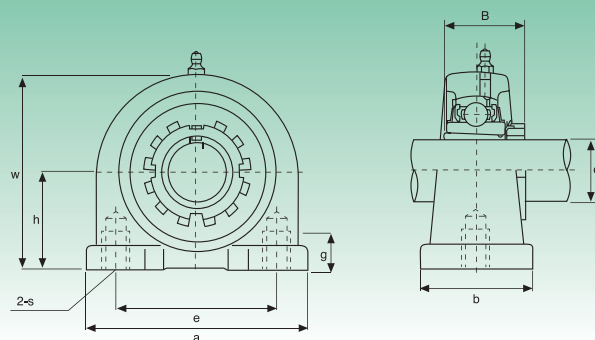
Bussole HA; HE; HS con filettatura in pollici  
Inch dimension adapter sleeves HA; HE; HS

UCPA2 Serie normale - Standard duty



Tipo Type	Dimensioni - Dimensions										Bull. fiss. Bolt Size	Coefficients di carico (N) Load ratings (N)		Cuscinetto Bearing	Supporto Housing	Peso Weight	
	d	h	a	e	b	g	l	w	B	n		Dinamico C Dynamic C	Statico C <sub>0</sub> Static C <sub>0</sub>				kg
	mm/inch											mm/inch					
<b>UCPA201</b>	<b>12</b>	30,2	76	52	40	15	11	62	31	12,7	M10	12160	6318	<b>UC201</b>	<b>PA204</b>	0,60	
UCPA201-8	½	13/16	3	23/64	19/16	19/32	7/16	27/16	1,2205	0,500	3/8			UC201-8		0,59	
<b>UCPA202</b>	<b>15</b>	30,2	76	52	40	15	11	62	31	12,7	M10	12160	6318	<b>UC202</b>	<b>PA204</b>	0,59	
UCPA202-9	9/16													UC202-9		0,59	
UCPA202-10	5/8	13/16	3	23/64	19/16	19/32	7/16	27/16	1,2205	0,500	3/8			UC202-10		0,59	
<b>UCPA203</b>	<b>17</b>	30,2	76	52	40	15	11	62	31	12,7	M10	12160	6318	<b>UC203</b>	<b>PA204</b>	0,58	
UCPA203-11	11/16	13/16	3	23/64	19/16	19/32	7/16	27/16	1,2205	0,500	3/8			UC203-11		0,57	
<b>UCPA204</b>	<b>20</b>	30,2	76	52	40	15	11	62	31	12,7	M10	12160	6318	<b>UC204</b>	<b>PA204</b>	0,56	
UCPA204-12	¾	13/16	3	23/64	19/16	19/32	7/16	27/16	1,2205	0,500	3/8			UC204-12		0,56	
<b>UCPA205</b>	<b>25</b>	36,5	84	56	38	15	12	72	34,1	14,3	M10			<b>UC205</b>		0,83	
UCPA205-13	13/16													UC205-13		0,87	
UCPA205-14	7/8	17/16	35/16	213/64	1½	19/32	15/32	253/64	1,3425	0,563	3/8	13300	7457	UC205-14	<b>PA205</b>	0,86	
UCPA205-15	15/16													UC205-15		0,84	
UCPA205-16	1													UC205-16		0,83	
<b>UCPA206</b>	<b>30</b>	42,9	94	66	50	18	12	84	38,1	15,9	M14			<b>UC206</b>		1,12	
UCPA206-17	11/16													UC206-17		1,15	
UCPA206-18	11/8	111/16	345/64	219/32	131/32	45/64	15/32	35/16	1,5000	0,626	½	18525	10735	UC206-18	<b>PA206</b>	1,14	
UCPA206-19	13/16													UC206-19		1,12	
UCPA206-20	1¼													UC206-20		1,11	
<b>UCPA207</b>	<b>35</b>	47,6	110	80	55	20	13	95	42,9	17,5	M14			<b>UC207</b>		1,48	
UCPA207-20	1¼													UC207-20		1,54	
UCPA207-21	15/16	17/8	421/64	35/32	211/64	25/32	33/64	347/64	1,6890	0,689	½	24415	14630	UC207-21	<b>PA207</b>	1,51	
UCPA207-22	13/8													UC207-22		1,48	
UCPA207-23	17/16													UC207-23		1,45	
<b>UCPA208</b>	<b>40</b>	49,2	116	84	58	20	13	100	49,2	19	M14			<b>UC208</b>		1,89	
UCPA208-24	1½	115/16	49/16	35/16	29/32	25/32	33/64	315/16	1,9370	0,748	½	27645	16910	UC208-24	<b>PA208</b>	1,93	
UCPA208-25	19/16													UC208-25		1,90	
<b>UCPA209</b>	<b>45</b>	54,2	120	90	60	25	13	108	49,2	19	M14			<b>UC209</b>		1,98	
UCPA209-26	15/8													UC209-26		2,08	
UCPA209-27	111/16	29/64	423/32	335/64	223/64	63/64	33/64	4¼	1,9370	0,748	½	32395	20235	UC209-27	<b>PA209</b>	2,04	
UCPA209-28	1¾													UC209-28		2,00	
<b>UCPA210</b>	<b>50</b>	57,2	130	94	64	25	14	116	51,6	19	M16			<b>UC210</b>		2,16	
UCPA210-29	113/16													UC210-29		2,28	
UCPA210-30	17/8	2¼	51/8	345/64	233/64	63/64	35/64	49/16	2,0315	0,748	5/8	33345	22135	UC210-30	<b>PA210</b>	2,23	
UCPA210-31	115/16													UC210-31		2,18	
UCPA210-32	2													UC210-32		2,14	
<b>UCPA211</b>	<b>55</b>	63,5	140	104	66	25	14	125	55,6	22,2	M16			<b>UC211</b>		3,26	
UCPA211-32	2													UC211-32		3,41	
UCPA211-33	21/16	2½	533/64	43/32	219/32	63/64	35/64	459/64	2,1890	0,874	5/8	41230	27930	UC211-33	<b>PA211</b>	3,35	
UCPA211-34	21/8													UC211-34		3,30	
UCPA211-35	23/16													UC211-35		3,24	
<b>UCPA212</b>	<b>60</b>	69,9	150	114	68	25	15	138	65,1	25,4	M16			<b>UC212</b>		4,19	
UCPA212-36	2¼													UC212-36		4,32	
UCPA212-37	25/16	2¾	529/32	431/64	243/64	63/64	19/32	57/16	2,5630	1,000	5/8	49780	34390	UC212-37	<b>PA212</b>	4,24	
UCPA212-38	23/8													UC212-38		4,17	
UCPA212-39	27/16													UC212-39		4,10	
<b>UCPA213</b>	<b>65</b>	76,2	160	124	70	25	15	150	65,1	25,4	M16			<b>UC213</b>		-	
UCPA213-40	2½	3	619/64	47/8	2¾	63/64	19/32	529/32	2,5630	1,000	5/8	54340	38095	UC213-40	<b>PA213</b>	-	
UCPA213-41	29/16													UC213-41		-	

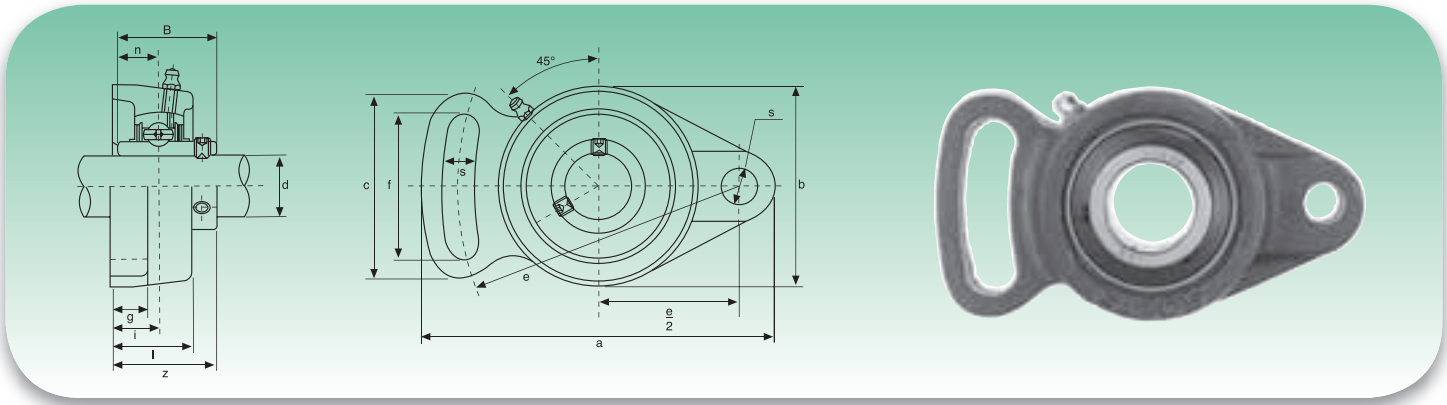
Disponibile in acciaio inox Supporto: AISI 304 - Cuscinetto: AISI 440C o 420C - Available stainless steel Housing: AISI 304 - Bearing: AISI 440C or 420C  
 Disponibile su richiesta con cuscinetto SA (SAPA) - Available under request with SA bearing (SAPA)

**UKPA2 Serie normale - Standard duty**


Tipo Type	Dimensioni - Dimensions								Bull. fiss. Bolt Size	Coefficients di carico (N) Load ratings (N)		Cuscinetto Bearing	Supporto Housing	Peso Weight	
	d	h	a	e	b	g	W	B		Dinamico C Dynamic C	Statico C <sub>0</sub> Static C <sub>0</sub>				kg
	mm/inch									mm/inch					
<b>UKPA205+H2305</b>	<b>20</b>	36,5	84	56	38	15	72	34,1	M10	13300	7457	<b>UK205+H2305</b>	<b>PA205</b>	0,87	
UKPA205+HE2305	¾	17/16	35/16	213/64	1½	19/32	253/64	1,3425	3/8			UK205+HE2305			
<b>UKPA206+H2306</b>	<b>25</b>	42,9	94	66	50	18	84	38,1	M14	18525	10735	<b>UK206+H2306</b>	<b>PA206</b>	1,24	
UKPA206+HS2306	7/8	111/16	345/64	219/32	131/32	45/64	35/16	1,5000	½			UK206+HS2306			
UKPA206+HE2306	1											UK206+HE2306			
<b>UKPA207+H2307</b>	<b>30</b>	47,6	110	80	55	20	95	42,9	M14	24415	14630	<b>UK207+H2307</b>	<b>PA207</b>	1,73	
UKPA207+HS2307	11/8	17/8	421/64	35/32	211/64	25/32	347/64	1,6890	½			UK207+HS2307			
<b>UKPA208+H2308</b>	<b>35</b>	49,2	116	84	58	20	100	49,2	M14	27645	16910	<b>UK208+H2308</b>	<b>PA208</b>	2,02	
UKPA208+HE2308	1¼	115/16	49/16	35/16	29/32	25/32	315/16	1,9370	½			UK208+HE2308			
UKPA208+HS2308	13/8											UK208+HS2308			
<b>UKPA209+H2309</b>	<b>40</b>	54,2	120	90	60	25	108	49,2	M14	32395	20235	<b>UK209+H2309</b>	<b>PA209</b>	2,29	
UKPA209+HA2309	17/16	29/64	423/32	335/64	223/64	63/64	4¼	1,9370	½			UK209+HA2309			
UKPA209+HE2309	1½											UK209+HE2309			
UKPA209+HS2309	15/8											UK209+HS2309			
<b>UKPA210+H2310</b>	<b>45</b>	57,2	130	94	64	25	116	51,6	M16	33345	22135	<b>UK210+H2310</b>	<b>PA210</b>	2,89	
UKPA210+HS2310	15/8	2½	51/8	345/64	233/64	63/64	49/16	2,0315	5/8			UK210+HS2310			
UKPA210+HA2310	111/16											UK210+HA2310			
UKPA210+HE2310	1¾											UK210+HE2310			

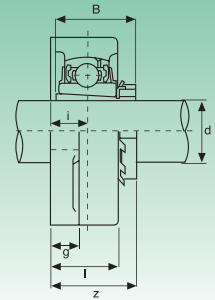
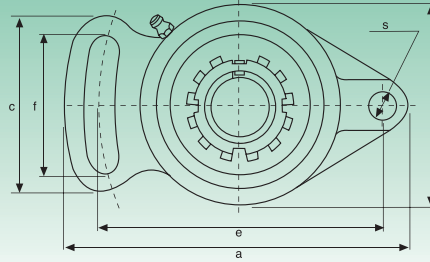
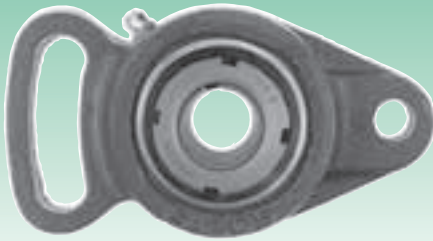
Bussole HA; HE; HS con filettatura in pollici  
Inch dimension adapter sleeves HA; HE; HS

UCFA2 Serie normale - Standard duty



Tipo Type	Dimensioni - Dimensions													Bull. fiss. Bolt Size	Coefficients di carico (N) Load ratings (N)		Cuscinetto Bearing	Supporto Housing	Peso Weight
	d	a	e	i	g	l	s	b	z	f	c	B	n		Dinamico C Dynamic C	Statico C <sub>0</sub> Static C <sub>0</sub>			
	mm/inch														mm/inch				
<b>UCFA201</b>	12	98	78	15	12	25,5	10	60	33,3	40	50	31	12,7	M8	12160	6318	<b>UC201</b>	<b>FA204</b>	0,50
UCFA201-8	1/2	355/64	35/64	19/32	15/32	1	25/64	23/8	15/16	137/64	131/32	1,2205	0,500	5/16			UC201-8		0,49
<b>UCFA202</b>	15	98	78	15	12	25,5	10	60	33,3	40	50	31	12,7	M8	12160	6318	<b>UC202</b>	<b>FA204</b>	0,49
UCFA202-9	9/16																UC202-9		0,49
UCFA202-10	5/8	355/64	35/64	19/32	15/32	1	25/64	23/8	15/16	137/64	131/32	1,2205	0,500	5/16			UC202-10		0,49
<b>UCFA203</b>	17	98	78	15	12	25,5	10	60	33,3	40	50	31	12,7	M8	12160	6318	<b>UC203</b>	<b>FA204</b>	0,48
UCFA203-11	11/16	355/64	35/64	19/32	15/32	1	25/64	23/8	15/16	137/64	131/32	1,2205	0,500	5/16			UC203-11		0,47
<b>UCFA204</b>	20	98	78	15	12	25,5	10	60	33,3	40	50	31	12,7	M8	12160	6318	<b>UC204</b>	<b>FA204</b>	0,46
UCFA204-12	3/4	355/64	35/64	19/32	15/32	1	25/64	23/8	15/16	137/64	131/32	1,2205	0,500	5/16			UC204-12		0,46
<b>UCFA205</b>	25	124	98	16	14	27	13	70	35,8	51	65	34,1	14,3	M10			<b>UC205</b>		0,66
UCFA205-13	13/16																UC205-13		0,70
UCFA205-14	7/8	47/8	355/64	5/8	35/64	11/6	33/64	23/4	113/32	21/64	29/16	1,3425	0,563	3/8	13300	7457	UC205-14	<b>FA205</b>	0,69
UCFA205-15	15/16																UC205-15		0,67
UCFA205-16	1																UC205-16		0,66
<b>UCFA206</b>	30	141	115	18	14	31	13	83	40,2	58	72	38,1	15,9	M10			<b>UC206</b>		0,93
UCFA206-17	11/16																UC206-17		0,96
UCFA206-18	11/8	535/64	417/32	45/64	35/64	17/32	33/64	317/64	119/32	29/32	227/32	1,5000	0,626	3/8	18525	10735	UC206-18	<b>FA206</b>	0,95
UCFA206-19	13/16																UC206-19		0,93
UCFA206-20	1 1/4																UC206-20		0,92
<b>UCFA207</b>	35	155	128	19	16	34	15	96	44,4	66	82	42,9	17,5	M12			<b>UC207</b>		1,46
UCFA207-20	1 1/4																UC207-20		1,52
UCFA207-21	15/16	67/64	53/64	3/4	5/8	111/32	19/32	325/32	1 3/4	219/32	315/64	1,6890	0,689	7/16	24415	14630	UC207-21	<b>FA207</b>	1,49
UCFA207-22	13/8																UC207-22		1,46
UCFA207-23	17/16																UC207-23		1,43
<b>UCFA208</b>	40	171	142	21	16	38	15	105	51,2	71	87	49,2	19	M12			<b>UC208</b>		1,78
UCFA208-24	1 1/2	47/64	519/32	53/64	5/8	1 1/2	19/32	49/64	21/64	251/64	327/64	1,9370	0,748	7/16	27645	16910	UC208-24	<b>FA208</b>	1,82
UCFA208-25	19/16																UC208-25		1,79
<b>UCFA209</b>	45	179	146	22	18	40	17	111	52,2	72	90	49,2	19	M14			<b>UC209</b>		2,03
UCFA209-26	15/8																UC209-26		2,13
UCFA209-27	111/16	73/64	5 3/4	55/64	45/64	137/64	43/64	43/8	21/16	253/64	335/64	1,9370	0,748	1/2	32395	20235	UC209-27	<b>FA209</b>	2,09
UCFA209-28	1 3/4																UC209-28		2,05
<b>UCFA210</b>	50	189	155	22	18	40	17	116	54,6	76	94	51,6	19	M14			<b>UC210</b>		2,23
UCFA210-29	113/16																UC210-29		2,35
UCFA210-30	17/8	77/16	67/64	55/64	45/64	137/64	43/64	49/16	25/32	3	345/64	2,0315	0,748	1/2	33345	22135	UC210-30	<b>FA210</b>	2,30
UCFA210-31	115/16																UC210-31		2,25
UCFA210-32	2																UC210-32		2,21
<b>UCFA211</b>	55	216	182	25	20	44	17	133	58,4	86	104	55,6	22,2	M14			<b>UC211</b>		3,2
UCFA211-32	2																UC211-32		4,5
UCFA211-33	21/16	8 1/2	711/64	63/64	25/32	147/64	43/64	551/64	25/16	325/64	43/32	2,1890	0,874	1/2	41230	27930	UC211-33	<b>FA211</b>	4,20
UCFA211-34	21/8																UC211-34		4,10
UCFA211-35	23/16																UC211-35		4,00
<b>UCFA212</b>	60	240	202	29	20	48	19	140	68,7	100	118	65,1	25,4	M16			<b>UC212</b>		-
UCFA212-36	2 1/4																UC212-36		-
UCFA212-37	25/16	929/64	761/64	19/64	25/32	17/8	3/4	5 1/2	223/32	315/16	441/64	2,5630	1,000	5/8	49780	34390	UC212-37	<b>FA212</b>	-
UCFA212-38	23/8																UC212-38		-
UCFA212-39	27/16																UC212-39		-
<b>UCFA213</b>	65	250	210	30	20	50	19	155	69,7	102	122	65,1	25,4	M16			<b>UC213</b>		-
UCFA213-40	2 1/2																UC213-40	<b>FA213</b>	-
UCFA213-41	29/16	927/32	817/64	13/16	25/32	131/32	3/4	63/32	2 3/4	41/64	451/64	2,5630	1,000	5/8	54340	38095	UC213-41		-

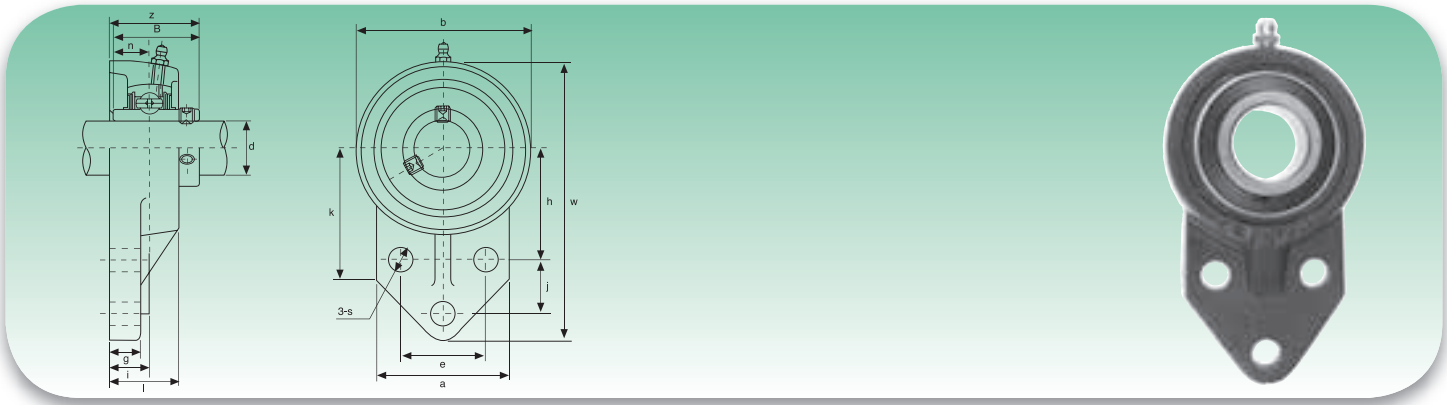
Disponibile in acciaio inox Supporto: AISI 304 - Cuscinetto: AISI 440C o 420C - Available stainless steel Housing: AISI 304 - Bearing: AISI 440C or 420C  
 Disponibile su richiesta con cuscinetto SA (SAFA) - Available under request with SA bearing (SAFA)

**UKFA2 Serie normale - Standard duty**


Tipo Type	Dimensioni - Dimensions												Bull. fiss. Bolt Size	Coefficienti di carico (N) Load ratings (N)		Cuscinetto Bearing	Supporto Housing	Peso Weight	
	d	a	e	i	g	l	s	b	z	f	c	B		Dinamico C Dynamic C	Statico C <sub>0</sub> Static C <sub>0</sub>				kg
	mm/inch													mm/inch					
<b>UKFA205+H2305</b>	<b>20</b>	124	98	16	14	27	13	70	35,8	51	65	34,1	M10	13300	7457	<b>UK205+H2305</b>	<b>FA205</b>	0,71	
UKFA205+HE2305	¾	47/8	355/64	5/8	35/64	11/16	33/64	2¾	113/32	21/64	29/16	1,3425	3/8			UK205+HE2305			
<b>UKFA206+H2306</b>	<b>25</b>	141	115	18	14	31	13	83	40,2	58	72	38,1	M10	18525	10735	<b>UK206+H2306</b>	<b>FA206</b>	1,04	
UKFA206+HS2306	7/8	535/64	417/32	45/64	35/64	17/32	33/64	317/64	119/32	29/32	227/32	1,5000	3/8			UK206+HS2306			
UKFA206+HE2306	1															UK206+HE2306			
<b>UKFA207+H2307</b>	<b>30</b>	155	128	19	16	34	15	96	44,4	66	82	42,9	M12	24415	14630	<b>UK207+H2307</b>	<b>FA207</b>	1,5	
UKFA207+HS2307	11/8	67/64	53/64	¾	5/8	111/32	19/32	325/32	1¾	219/32	315/64	1,6890	7/16			UK207+HS2307			
<b>UKFA208+H2308</b>	<b>35</b>	171	142	21	16	38	15	105	51,2	71	87	49,2	M12	27645	16910	<b>UK208+H2308</b>	<b>FA208</b>	1,9	
UKFA208+HE2308	1¼	47/64	519/32	53/64	5/8	1½	19/32	49/64	21/64	251/64	327/64	1,9370	7/16			UK208+HE2308			
UKFA208+HS2308	13/8															UK208+HS2308			
<b>UKFA209+H2309</b>	<b>40</b>	179	146	22	18	40	17	111	52,2	72	90	49,2	M14	32395	20235	<b>UK209+H2309</b>	<b>FA209</b>	1,8	
UKFA209+HA2309	17/16	73/64	5¾	55/64	45/64	137/64	43/64	43/8	21/16	253/64	335/64	1,9370	½			UK209+HA2309			
UKFA209+HE2309	1½															UK209+HE2309			
UKFA209+HS2309	15/8															UK209+HS2309			
<b>UKFA210+H2310</b>	<b>45</b>	189	155	22	18	40	17	116	54,6	76	94	51,6	M14	33345	22135	<b>UK210+H2310</b>	<b>FA210</b>	2,1	
UKFA210+HS2310	15/8	71/16	67/64	55/64	45/64	137/64	43/64	49/16	25/32	3	345/64	2,0315	½			UK210+HS2310			
UKFA210+HA2310	111/16															UK210+HA2310			
UKFA210+HE2310	1¾															UK210+HE2310			

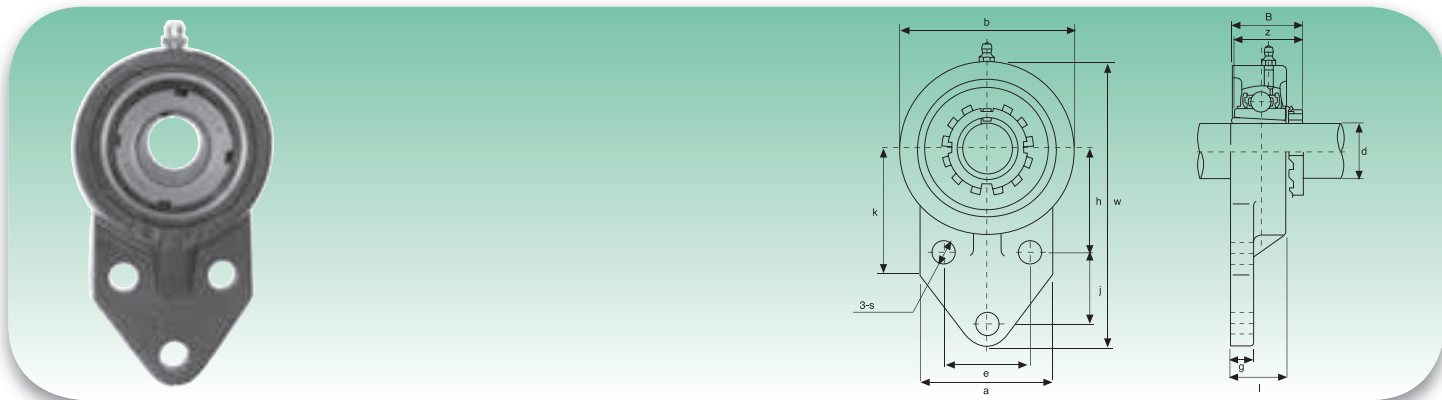
Bussole HA; HE; HS con filettatura in pollici  
Inch dimension adapter sleeves HA; HE; HS

UCFB2 Serie normale - Standard duty



Tipo Type	Dimensioni - Dimensions														Bull. fiss. Bolt Size	Coefficients di carico (N) Load ratings (N)		Cuscinetto Bearing	Supporto Housing	Peso Weight	
	d	w	b	k	a	l	s	g	h	j	e	i	z	B		n	Dinamico C Dynamic C <sub>d</sub>				Statico C <sub>o</sub> Static C <sub>o</sub>
	mm/inch															mm/inch					
<b>UCFB201</b>	<b>12</b>	110	62	52	52	25,5	10	13	42	27	32	15	33,3	31	12,7	M8	12160	6318	<b>UC201</b>	<b>FB204</b>	0,58
UCFB201-8	1/2	411/32	27/16	21/16	21/16	1	25/64	1/2	121/32	11/16	117/64	19/32	15/16	1,2205	0,500	5/16			UC201-8		0,57
<b>UCFB202</b>	<b>15</b>	110	62	52	52	25,5	10	13	42	27	32	15	33,3	31	12,7	M8	12160	6318	<b>UC202</b>	<b>FB204</b>	0,57
UCFB202-9	9/16	411/32	27/16	21/16	21/16	1	25/64	1/2	121/32	11/16	117/64	19/32	15/16	1,2205	0,500	5/16			UC202-9		0,57
UCFB202-10	5/8	411/32	27/16	21/16	21/16	1	25/64	1/2	121/32	11/16	117/64	19/32	15/16	1,2205	0,500	5/16			UC202-10		0,57
<b>UCFB203</b>	<b>17</b>	110	62	52	52	25,5	10	13	42	27	32	15	33,3	31	12,7	M8	12160	6318	<b>UC203</b>	<b>FB204</b>	0,56
UCFB203-11	11/16	411/32	27/16	21/16	21/16	1	25/64	1/2	121/32	11/16	117/64	19/32	15/16	1,2205	0,500	5/16			UC203-11		0,55
<b>UCFB204</b>	<b>20</b>	110	62	52	52	25,5	10	13	42	27	32	15	33,3	31	12,7	M8	12160	6318	<b>UC204</b>	<b>FB204</b>	0,54
UCFB204-12	3/4	411/32	27/16	21/16	21/16	1	25/64	1/2	121/32	11/16	117/64	19/32	15/16	1,2205	0,500	5/16			UC204-12		0,54
<b>UCFB205</b>	<b>25</b>	116	68	52	56	27	10	13	45	27	34	16	35,8	34,1	14,3	M8	13300	7457	<b>UC205</b>	<b>FB205</b>	0,79
UCFB205-13	13/16	49/16	211/16	21/16	27/32	11/16	25/64	1/2	149/64	11/16	111/32	5/8	113/32	1,3425	0,563	5/16			UC205-13		0,83
UCFB205-14	7/8	49/16	211/16	21/16	27/32	11/16	25/64	1/2	149/64	11/16	111/32	5/8	113/32	1,3425	0,563	5/16			UC205-14		0,82
UCFB205-15	15/16	49/16	211/16	21/16	27/32	11/16	25/64	1/2	149/64	11/16	111/32	5/8	113/32	1,3425	0,563	5/16			UC205-15		0,80
UCFB205-16	1	49/16	211/16	21/16	27/32	11/16	25/64	1/2	149/64	11/16	111/32	5/8	113/32	1,3425	0,563	5/16			UC205-16		0,79
<b>UCFB206</b>	<b>30</b>	130	78	55	65	31	10	13	50	29	40	18	40,2	38,1	15,9	M8	18525	10735	<b>UC206</b>	<b>FB206</b>	0,95
UCFB206-17	11/16	51/8	31/16	25/32	29/16	17/32	25/64	1/2	131/32	19/64	137/64	45/64	119/32	1,5000	0,626	5/16			UC206-17		0,98
UCFB206-18	11/8	51/8	31/16	25/32	29/16	17/32	25/64	1/2	131/32	19/64	137/64	45/64	119/32	1,5000	0,626	5/16			UC206-18		0,97
UCFB206-19	13/16	51/8	31/16	25/32	29/16	17/32	25/64	1/2	131/32	19/64	137/64	45/64	119/32	1,5000	0,626	5/16			UC206-19		0,95
UCFB206-20	1 1/4	51/8	31/16	25/32	29/16	17/32	25/64	1/2	131/32	19/64	137/64	45/64	119/32	1,5000	0,626	5/16			UC206-20		0,94
<b>UCFB207</b>	<b>35</b>	144	90	62	70	34	10	15	55	32	46	19	44,4	42,9	17,5	M8	24415	14630	<b>UC207</b>	<b>FB207</b>	1,29
UCFB207-20	1 1/4	521/32	335/64	27/16	2 3/4	111/32	25/64	19/32	211/64	117/64	113/16	3/4	1 3/4	1,6890	0,689	5/16			UC207-20		1,35
UCFB207-21	15/16	521/32	335/64	27/16	2 3/4	111/32	25/64	19/32	211/64	117/64	113/16	3/4	1 3/4	1,6890	0,689	5/16			UC207-21		1,32
UCFB207-22	13/8	521/32	335/64	27/16	2 3/4	111/32	25/64	19/32	211/64	117/64	113/16	3/4	1 3/4	1,6890	0,689	5/16			UC207-22		1,29
UCFB207-23	17/16	521/32	335/64	27/16	2 3/4	111/32	25/64	19/32	211/64	117/64	113/16	3/4	1 3/4	1,6890	0,689	5/16			UC207-23		1,26
<b>UCFB208</b>	<b>40</b>	164	100	72	78	36	12	16	60	41	50	21	51,2	49,2	19	M10	27645	16910	<b>UC208</b>	<b>FB208</b>	1,78
UCFB208-24	1 1/2	615/32	315/16	227/32	31/16	113/32	15/32	5/8	223/64	139/64	131/32	53/64	21/64	1,9370	0,748	3/8			UC208-24		1,82
UCFB208-25	19/16	615/32	315/16	227/32	31/16	113/32	15/32	5/8	223/64	139/64	131/32	53/64	21/64	1,9370	0,748	3/8			UC208-25		1,79
<b>UCFB209</b>	<b>45</b>	174	106	76	80	38	12	18	65	43	54	22	52,2	49,2	19	M10	32395	20235	<b>UC209</b>	<b>FB209</b>	1,91
UCFB209-26	15/8	627/32	43/16	3	35/32	1 1/2	15/32	23/32	29/16	111/16	21/8	55/64	21/16	1,9370	0,748	3/8			UC209-26		2,01
UCFB209-27	111/16	627/32	43/16	3	35/32	1 1/2	15/32	23/32	29/16	111/16	21/8	55/64	21/16	1,9370	0,748	3/8			UC209-27		1,97
UCFB209-28	1 3/4	627/32	43/16	3	35/32	1 1/2	15/32	23/32	29/16	111/16	21/8	55/64	21/16	1,9370	0,748	3/8			UC209-28		1,93
<b>UCFB210</b>	<b>50</b>	184	112	82	86	40	12	18	68	46	58	22	54,6	51,6	19	M10	33345	22135	<b>UC210</b>	<b>FB210</b>	2,36
UCFB210-29	113/16	71/14	413/32	37/32	33/8	137/64	15/32	23/32	243/64	113/16	29/32	55/64	25/32	2,0315	0,748	3/8			UC210-29		2,48
UCFB210-30	17/8	71/14	413/32	37/32	33/8	137/64	15/32	23/32	243/64	113/16	29/32	55/64	25/32	2,0315	0,748	3/8			UC210-30		2,43
UCFB210-31	115/16	71/14	413/32	37/32	33/8	137/64	15/32	23/32	243/64	113/16	29/32	55/64	25/32	2,0315	0,748	3/8			UC210-31		2,38
UCFA210-32	2	71/14	413/32	37/32	33/8	137/64	15/32	23/32	243/64	113/16	29/32	55/64	25/32	2,0315	0,748	3/8			UC210-32		2,34
<b>UCFB211</b>	<b>55</b>	207	130	86	90	43	14	18	78	50	62	25	58,4	55,6	22,2	M12	41230	27930	<b>UC211</b>	<b>FB211</b>	3,15
UCFB211-32	2	85/32	51/8	325/64	335/64	111/16	35/64	45/64	35/64	131/32	27/16	63/64	25/16	2,1890	0,874	7/16			UC211-32		3,31
UCFB211-33	21/16	85/32	51/8	325/64	335/64	111/16	35/64	45/64	35/64	131/32	27/16	63/64	25/16	2,1890	0,874	7/16			UC211-33		3,25
UCFB211-34	21/8	85/32	51/8	325/64	335/64	111/16	35/64	45/64	35/64	131/32	27/16	63/64	25/16	2,1890	0,874	7/16			UC211-34		3,20
UCFB211-35	23/16	85/32	51/8	325/64	335/64	111/16	35/64	45/64	35/64	131/32	27/16	63/64	25/16	2,1890	0,874	7/16			UC211-35		3,14
<b>UCFB212</b>	<b>60</b>	223	140	90	94	48	14	18	84	55	66	29	68,7	65,1	25,4	M12	49780	34390	<b>UC212</b>	<b>FB212</b>	3,99
UCFB212-36	2 1/4	825/32	5 1/2	335/64	345/64	17/8	35/64	45/64	35/16	211/64	219/32	19/64	223/32	2,5630	1,000	7/16			UC212-36		4,12
UCFB212-37	25/16	825/32	5 1/2	335/64	345/64	17/8	35/64	45/64	35/16	211/64	219/32	19/64	223/32	2,5630	1,000	7/16			UC212-37		4,04
UCFB212-38	23/8	825/32	5 1/2	335/64	345/64	17/8	35/64	45/64	35/16	211/64	219/32	19/64	223/32	2,5630	1,000	7/16			UC212-38		3,97
UCFB212-39	27/16	825/32	5 1/2	335/64	345/64	17/8	35/64	45/64	35/16	211/64	219/32	19/64	223/32	2,5630	1,000	7/16			UC212-39		3,90
<b>UCFB213</b>	<b>65</b>	244	155	94	100	50	14	20	92	60	70	30	69,7	65,1	25,4	M12	54340	38095	<b>UC213</b>	<b>FB213</b>	-
UCFB213-40	2 1/2	939/64	67/64	345/64	315/16	131/32	35/64	25/32	35/8	223/64	2 3/4	13/16	2 3/4	2,5630	1,000	7/16			UC213-40		-
UCFB213-41	29/16	939/64	67/64	345/64	315/16	131/32	35/64	25/32	35/8	223/64	2 3/4	13/16	2 3/4	2,5630	1,000	7/16			UC213-41		-

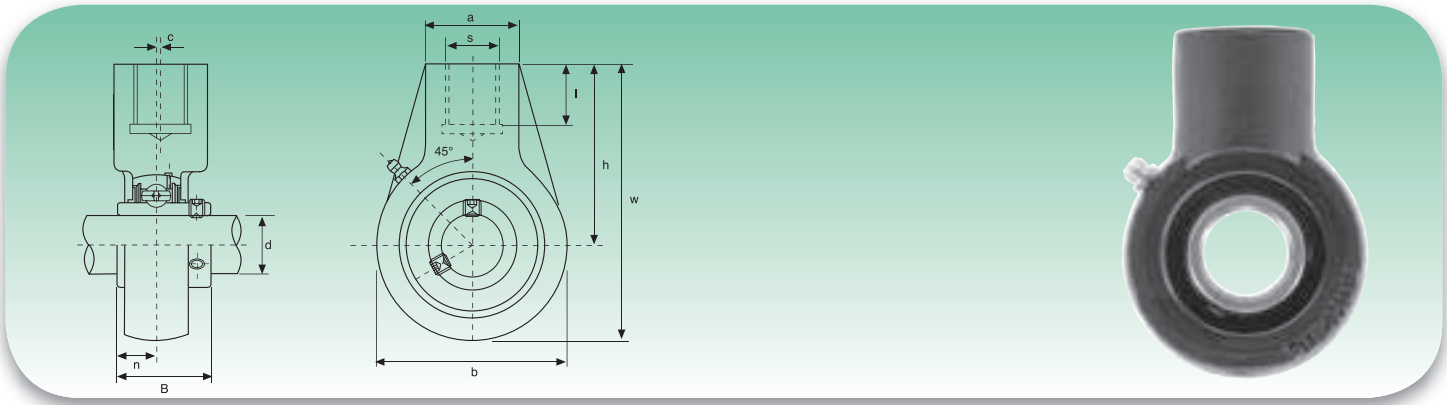
Disponibile in acciaio inox Supporto: AISI 304 - Cuscinetto: AISI 440C o 420C - Available stainless steel Housing: AISI 304 - Bearing: AISI 440C or 420C  
 Disponibile su richiesta con cuscinetto SA (SAFB) - Available under request with SA bearing (SAFB)

**UKFB2 Serie normale - Standard duty**


Tipo Type	Dimensioni - Dimensions														Bull. fiss. Bolt Size	Coefficients di carico (N) Load ratings (N)		Cuscinetto Bearing	Supporto Housing	Peso Weight	
	d	w	b	k	a	l	s	g	h	j	e	i	z	B		Dinamico C Dynamic C	Statico C <sub>0</sub> Static C <sub>0</sub>				kg
	mm/inch															mm/inch					
<b>UKFB205+H2305</b>	<b>20</b>	116	68	52	56	27	10	13	45	27	34	16	35,8	34,1	M8	13300	7457	<b>UK205+H2305</b>	<b>FB205</b>	0,72	
UKFB205+HE2305	¾	49/16	211/16	21/16	27/32	11/16	25/64	½	149/64	11/16	111/32	5/8	113/32	1,3425	5/16			UK205+HE2305			
<b>UKFB206+H2306</b>	<b>25</b>	130	78	55	65	31	10	13	50	29	40	18	40,2	38,1	M8	18525	10735	<b>UK206+H2306</b>	<b>FB206</b>	0,96	
UKFB206+HS2306	7/8	51/8	31/16	25/32	29/16	17/32	25/64	½	131/32	19/64	137/64	45/64	119/32	1,5000	5/16			UK206+HS2306			
UKFB206+HE2306	1																	UK206+HE2306			
<b>UKFB207+H2307</b>	<b>30</b>	144	90	62	70	34	10	15	55	32	46	19	44,4	42,9	M8	24415	14630	<b>UK207+H2307</b>	<b>FB207</b>	1,33	
UKFB207+HS2307	11/8	521/32	335/64	27/16	2¾	111/32	25/64	19/32	211/64	117/64	113/16	¾	1¾	1,6890	5/16			UK207+HS2307			
<b>UKFB208+H2308</b>	<b>35</b>	164	100	72	78	36	12	16	60	41	50	21	51,2	49,2	M10	27645	16910	<b>UK208+H2308</b>	<b>FB208</b>	1,82	
UKFB208+HE2308	1¼	615/32	315/16	227/32	31/16	113/32	15/32	5/8	223/32	139/64	131/32	53/64	21/64	1,9370	3/8			UK208+HE2308			
UKFB208+HS2308	13/8																	UK208+HS2308			
<b>UKFB209+H2309</b>	<b>40</b>	174	106	76	80	38	12	18	65	43	54	22	52,2	49,2	M10	32395	20235	<b>UK209+H2309</b>	<b>FB209</b>	2,09	
UKFB209+HA2309	17/16	627/32	43/16	3	35/32	1½	15/32	23/32	29/16	111/16	21/8	55/64	21/16	1,9370	3/8			UK209+HA2309			
UKFB209+HE2309	1½																	UK209+HE2309			
UKFB209+HS2309	15/8																	UK209+HS2309			
<b>UKFB210+H2310</b>	<b>45</b>	184	112	82	86	40	12	18	68	46	58	22	54,6	51,6	M10	33345	22135	<b>UK210+H2310</b>	<b>FB210</b>	2,39	
UKFB210+HS2310	15/8	111/16	7¼	413/32	37/32	33/8	137/64	15/32	23/32	243/64	113/16	29/32	55/64	25/32	2,0315			3/8			UK210+HS2310
UKFB210+HA2310	111/16																				UK210+HA2310
UKFB210+HE2310	1¾																				UK210+HE2310

Bussole HA; HE; HS con filettatura in pollici  
Inch dimension adapter sleeves HA; HE; HS

UCECH2 Serie normale - Standard duty

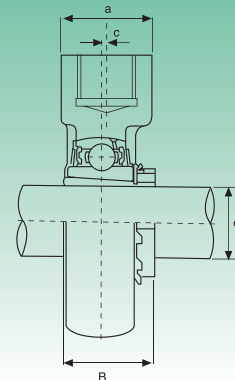
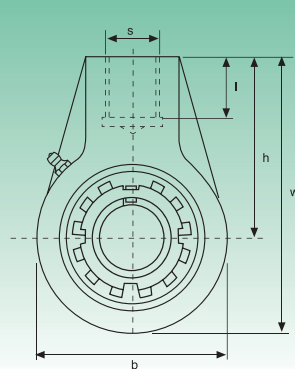


Tipo Type	Dimensioni - Dimensions										Coefficients di carico (N) Load ratings (N)		Cuscinetto Bearing	Supporto Housing	Peso Weight
	d	h	w	b	c	a	l	B	n	S	Dinamico C Dynamic C	Statico C <sub>0</sub> Static C <sub>0</sub>			
	mm/inch														
UCECH201	12	64	96	64	0	40	19	31	12,7	G <sub>3/4</sub>	12160	6318	UC201	ECH204	0,73
UCECH201-8	1/2	233/64	325/32	233/64	0	137/64	3/4	1,2205	0,500				UC201-8		0,72
UCECH202	15	64	96	64	0	40	19	31	12,7	G <sub>3/4</sub>	12160	6318	UC202	ECH204	0,72
UCECH202-9	9/16	233/64	325/32	233/64	0	137/64	3/4	1,2205	0,500				UC202-9		0,72
UCECH202-10	5/8	233/64	325/32	233/64	0	137/64	3/4	1,2205	0,500				UC202-10		0,72
UCECH203	17	64	96	64	0	40	19	31	12,7	G <sub>3/4</sub>	12160	6318	UC203	ECH204	0,71
UCECH203-11	11/16	233/64	325/32	233/64	0	137/64	3/4	1,2205	0,500				UC203-11		0,70
UCECH204	20	64	96	64	0	40	19	31	12,7	G <sub>3/4</sub>	12160	6318	UC204	ECH204	0,69
UCECH204-12	3/4	233/64	325/32	233/64	0	137/64	3/4	1,2205	0,500				UC204-12		0,69
UCECH205	25	64	103	78	0	40	19	34,1	14,3				UC205	ECH205	0,83
UCECH205-13	13/16	233/64	41/16	35/64	0	137/64	3/4	1,3425	0,563				UC205-13		0,87
UCECH205-14	7/8	233/64	41/16	35/64	0	137/64	3/4	1,3425	0,563				UC205-14		0,86
UCECH205-15	15/16	233/64	41/16	35/64	0	137/64	3/4	1,3425	0,563				UC205-15		0,84
UCECH205-16	1	233/64	41/16	35/64	0	137/64	3/4	1,3425	0,563				UC205-16		0,83
UCECH206	30	64	103	78	0	40	19	38,1	15,9				UC206	ECH206	0,83
UCECH206-17	11/16	233/64	41/16	35/64	0	137/64	3/4	1,5000	0,626				UC206-17		0,86
UCECH206-18	11/8	233/64	41/16	35/64	0	137/64	3/4	1,5000	0,626				UC206-18		0,85
UCECH206-19	13/16	233/64	41/16	35/64	0	137/64	3/4	1,5000	0,626				UC206-19		0,83
UCECH206-20	1 1/4	233/64	41/16	35/64	0	137/64	3/4	1,5000	0,626				UC206-20		0,82
UCECH207	35	70	116	92	0	40	19	42,9	17,5				UC207	ECH207	1,16
UCECH207-20	1 1/4	233/64	49/16	35/8	0	137/64	3/4	1,6890	0,689				UC207-20		1,22
UCECH207-21	15/16	2 3/4	49/16	35/8	0	137/64	3/4	1,6890	0,689				UC207-21		1,19
UCECH207-22	13/8	2 3/4	49/16	35/8	0	137/64	3/4	1,6890	0,689				UC207-22		1,16
UCECH207-23	17/16	2 3/4	49/16	35/8	0	137/64	3/4	1,6890	0,689				UC207-23		1,13
UCECH208	40	73	121	96	2	40	19	49,2	19	G <sub>3/4</sub>	27645	16910	UC208	ECH208	1,32
UCECH208-24	1 1/2	27/8	449/64	325/32	5/64	137/64	3/4	1,9370	0,748				UC208-24		1,36
UCECH208-25	19/16	27/8	449/64	325/32	5/64	137/64	3/4	1,9370	0,748				UC208-25		1,33
UCECH209	45	82	136	108	5	48	21	49,2	19	G <sub>1</sub>	32395	20235	UC209	ECH209	1,92
UCECH209-26	15/8	315/64	523/64	4 1/4	13/64	157/64	53/64	1,9370	0,748				UC209-26		2,02
UCECH209-27	111/16	315/64	523/64	4 1/4	13/64	157/64	53/64	1,9370	0,748				UC209-27		1,98
UCECH209-28	1 3/4	315/64	523/64	4 1/4	13/64	157/64	53/64	1,9370	0,748				UC209-28		1,94
UCECH210	50	83	142	118	5	48	21	51,6	19	G <sub>1</sub>	33345	22135	UC210	ECH210	1,90
UCECH210-29	113/16	317/64	519/32	441/64	13/64	157/64	77/83/64	2,0315	0,748				UC210-29		2,02
UCECH210-30	17/8	317/64	519/32	441/64	13/64	157/64	77/83/64	2,0315	0,748				UC210-30		1,97
UCECH210-31	115/16	317/64	519/32	441/64	13/64	157/64	77/83/64	2,0315	0,748				UC210-31		1,92
UCECH210-32	2	317/64	519/32	441/64	13/64	157/64	77/83/64	2,0315	0,748				UC210-32		1,88
UCECH211	55	87	150	126	7	60	25	55,6	22,2	G <sub>1 1/4</sub>	41230	27930	UC211	ECH211	2,61
UCECH211-32	2	327/64	529/32	461/64	9/32	223/64	63/64	2,1890	0,874				UC211-32		2,76
UCECH211-33	21/16	327/64	529/32	461/64	9/32	223/64	63/64	2,1890	0,874				UC211-33		2,70
UCECH211-34	21/8	327/64	529/32	461/64	9/32	223/64	63/64	2,1890	0,874				UC211-34		2,65
UCECH211-35	23/16	327/64	529/32	461/64	9/32	223/64	63/64	2,1890	0,874				UC211-35		2,59
UCECH212	60	102	173	142	9	60	28	65,1	25,4	G <sub>1 1/4</sub>	49780	34390	UC212	ECH212	3,54
UCECH212-36	2 1/4	41/64	613/16	519/32	23/64	223/64	17/64	2,5630	1,000				UC212-36		3,67
UCECH212-37	25/16	41/64	613/16	519/32	23/64	223/64	17/64	2,5630	1,000				UC212-37		3,59
UCECH212-38	23/8	41/64	613/16	519/32	23/64	223/64	17/64	2,5630	1,000				UC212-38		3,52
UCECH212-39	27/16	41/64	613/16	519/32	23/64	223/64	17/64	2,5630	1,000				UC212-39		3,45
UCECH213	65	117	200	166	9,5	70	32	65,1	25,4	G <sub>1 1/2</sub>	54340	38095	UC213	ECH213	5,80
UCECH213-40	2 1/2	439/64	77/8	617/32	3/8	2 3/4	117/64	2,5630	1,000				UC213-40		5,89
UCECH213-41	29/16	439/64	77/8	617/32	3/8	2 3/4	117/64	2,5630	1,000				UC213-41		5,80
UCECH214	70	117	200	166	9,5	70	32	74,6	30,2	G <sub>1 1/2</sub>	59090	41895	UC214	ECH214	5,67
UCECH214-42	25/8	439/64	77/8	617/32	3/8	2 3/4	117/64	2,9370	1,189				UC214-42		5,67
UCECH214-43	211/16	439/64	77/8	617/32	3/8	2 3/4	117/64	2,9370	1,189				UC214-43		5,67
UCECH214-44	2 3/4	439/64	77/8	617/32	3/8	2 3/4	117/64	2,9370	1,189				UC214-44		5,67
UCECH215	75	117	200	166	9,5	70	32	77,8	33,3	G <sub>1 1/2</sub>	64030	45885	UC215	ECH215	5,58
UCECH215-45	213/16	439/64	731/32	617/32	3/8	2 3/4	117/64	3,0630	1,311				UC215-45		5,58
UCECH215-46	27/8	439/64	731/32	617/32	3/8	2 3/4	117/64	3,0630	1,311				UC215-46		5,58
UCECH215-47	215/16	439/64	731/32	617/32	3/8	2 3/4	117/64	3,0630	1,311				UC215-47		5,58
UCECH215-48	3	439/64	731/32	617/32	3/8	2 3/4	117/64	3,0630	1,311				UC215-48		5,58

Disponibile in acciaio inox Supporto: AISI 304 - Cuscinetto: AISI 440C o 420C - Available stainless steel Housing: AISI 304 - Bearing: AISI 440C or 420C  
 Disponibile su richiesta con cuscinetto SA (SAECH) - Available under request with SA bearing (SAECH)

S - Su richiesta disponibili con filetto metrico, in pollici e gas  
 S - Under request available with metric, inches and gas thread



**UKECH2 Serie normale - Standard duty**


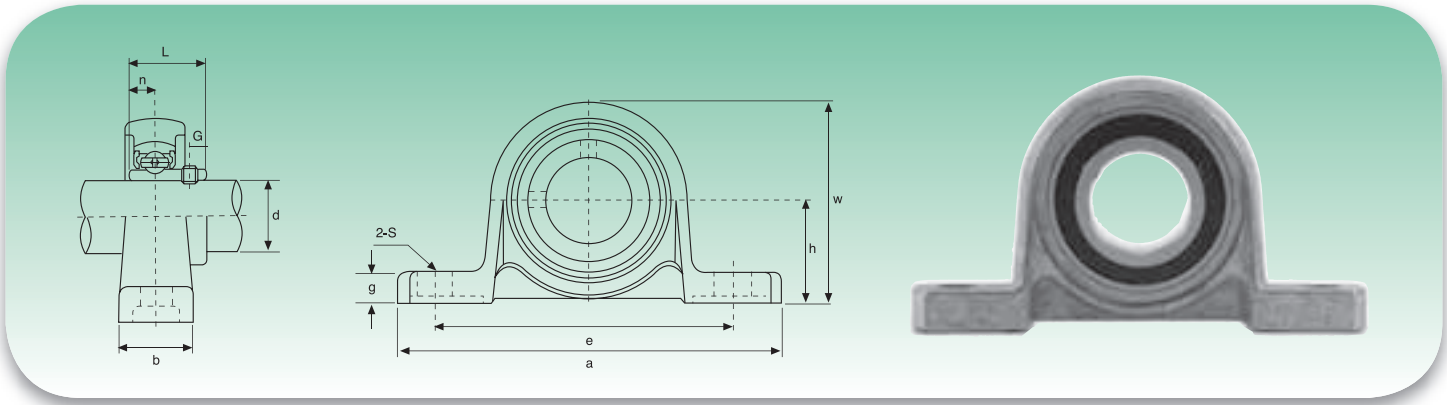
Tipo Type	Dimensioni - Dimensions									Coefficients di carico (N) Load ratings (N)		Cuscinetto Bearing	Supporto Housing	Peso Weight kg	
	d	h	w	b	c	a	l	B	S	Dinamico C Dynamic C	Statico C <sub>0</sub> Static C <sub>0</sub>				
	mm/inch														
<b>UKECH205+H2305</b>	<b>20</b>	64	103	78	0	40	19	34,1		G $\frac{3}{4}$	13300	7457	<b>UK205+H2305</b>	<b>ECH205</b>	0,9
UKECH205+HE2305	$\frac{3}{4}$	233/64	41/16	35/64	0	137/64	$\frac{3}{4}$	1,3425					UK205+HE2305		
<b>UKECH206+H2306</b>	<b>25</b>	64	103	78	0	40	19	38,1		G $\frac{3}{4}$	18525	10735	<b>UK206+H2306</b>	<b>ECH206</b>	0,9
UKECH206+HS2306	$\frac{7}{8}$	233/64	41/16	35/64	0	137/64	$\frac{3}{4}$	1,5000					UK206+HS2306		
UKECH206+HE2306	1												UK206+HE2306		
<b>UKECH207+H2307</b>	<b>30</b>	70	116	92	0	40	19	42,9		G $\frac{3}{4}$	24415	14630	<b>UK207+H2307</b>	<b>ECH207</b>	1,23
UKECH207+HS2307	$\frac{11}{8}$	$2\frac{3}{4}$	49/16	35/8	0	137/64	$\frac{3}{4}$	1,6890					UK207+HS2307		
<b>UKECH208+H2308</b>	<b>35</b>	73	121	96	2	40	19	49,2		G $\frac{3}{4}$	27645	16910	<b>UK208+H2308</b>	<b>ECH208</b>	1,32
UKECH208+HE2308	$1\frac{1}{4}$	27/8	449/64	325/32	5/64	137/64	$\frac{3}{4}$	1,9370					UK208+HE2308		
UKECH208+HS2308	$\frac{13}{8}$												UK208+HS2308		
<b>UKECH209+H2309</b>	<b>40</b>	82	136	108	5	48	21	49,2		G1	32395	20235	<b>UK209+H2309</b>	<b>ECH209</b>	1,79
UKECH209+HA2309	$\frac{17}{16}$												UK209+HA2309		
UKECH209+HE2309	$1\frac{1}{2}$	315/64	523/64	4 $\frac{1}{4}$	13/64	157/64	53/64	1,9370					UK209+HE2309		
UKECH209+HS2309	$\frac{15}{8}$												UK209+HS2309		
<b>UKECH210+H2310</b>	<b>45</b>	83	142	118	5	48	21	51,6		G1	33345	22135	<b>UK210+H2310</b>	<b>ECH210</b>	2,19
UKECH210+HS2310	$\frac{15}{8}$												UK210+HS2310		
UKECH210+HA2310	$\frac{111}{16}$	317/64	519/32	441/64	13/64	157/64	53/64	2,0315					UK210+HA2310		
UKECH210+HE2310	$1\frac{3}{4}$												UK210+HE2310		
<b>UKECH211+H2311</b>	<b>50</b>	87	150	126	7	60	25	55,6		G $1\frac{1}{4}$	41230	27930	<b>UK211+H2311</b>	<b>ECH211</b>	2,84
UKECH211+HS2311	$\frac{17}{8}$												UK211+HS2311		
UKECH211+HA2311	$\frac{115}{16}$	327/64	529/32	461/64	9/32	223/64	63/64	2,1890					UK211+HA2311		
UKECH211+HE2311	2												UK211+HE2311		
<b>UKECH212+H2312</b>	<b>55</b>	102	173	142	9	60	28	65,1		G $1\frac{1}{4}$	49780	34390	<b>UK212+H2312</b>	<b>ECH212</b>	3,81
UKECH212+HS2312	$\frac{21}{8}$	41/64	613/16	519/32	23/64	223/64	17/64	2,5630					UK212+HS2312		

Bussole HA; HE; HS con filettatura in pollici

Inch dimension adapter sleeves HA; HE; HS

 S - Su richiesta disponibili con filetto metrico, in pollici e gas  
 S - Under request available with metric, inches and gas thread

UP Serie leggera - Light duty

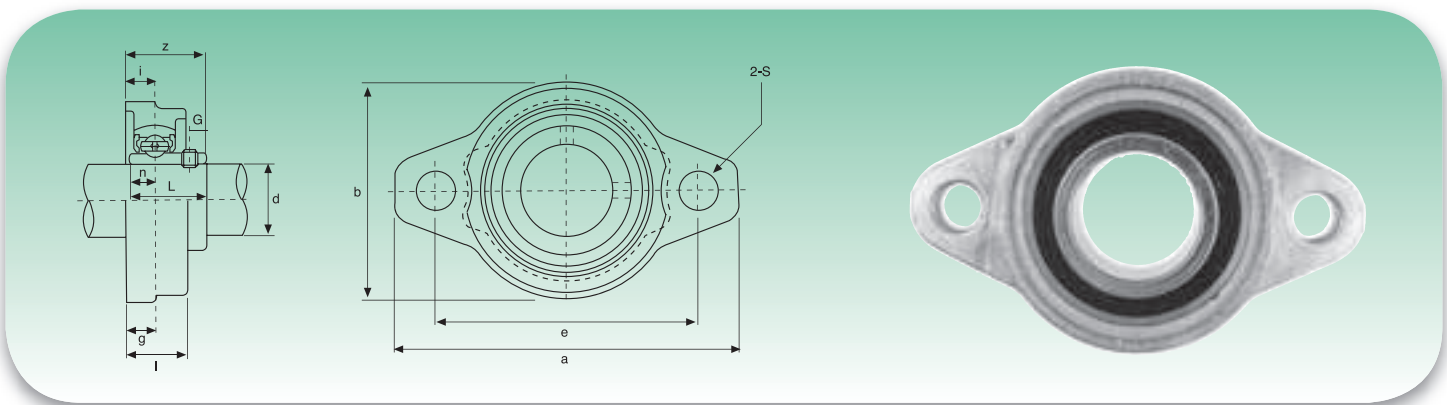


Tipo Type	Dimensioni - Dimensions											Bull. fiss. Bolt Size	Coefficienti di carico (N) Load ratings (N)		Cuscinetto Bearing	Supporto Housing	Peso Weight kg
	d	h	a	e	b	s	g	w	L	n	G		Dinamico C Dynamic C	Statico C <sub>0</sub> Static C <sub>0</sub>			
	mm/inch																
UP000	10	18	67	53	16	7	6	35	17,5	4	4	M6	4322	1852	U000	LP000	0,077
UP001	12	19	71	56	16	7	6	38	14,5	4	4	M6	4845	2280	U001	LP001	0,091
UP002	15	22	80	63	16	6	7	43	16,5	4,5	4	M6	5320	2707	U002	LP002	0,125
UP003	17	24	85	67	18	6	7	47	17,5	5	4	M6	5700	3087	U003	LP003	0,156
UP004	20	28	100	80	20	10	9	55	21	6	4,5	M8	8930	4797	U004	LP004	0,230
UP005	25	32	112	90	20	10	10	62	22,5	6	5	M8	9595	5557	U005	LP005	0,294
UP006	30	36	132	106	26	13	11	70	24,5	6,5	5	M10	12540	7837	U006	LP006	0,454
UP007	35	40	150	118	26	13	13	80	25,5	7	6	M10	14750	9750	U007	LP007	0,593

Disponibile su richiesta in acciaio inox supporto: AISI 304 - Cuscinetto: AISI 440C 0 420C - Available under request stainless steel housing: AISI 304 - Bearing: AISI 440C or 420C  
 Su richiesta fornibili anche con anello di serraggio eccentrico - Under request available with eccentric collar locking

SUPPORTI A FLANGIA OVALE IN ALLUMINIO - ALUMINIUM OVAL BEARING UNITS

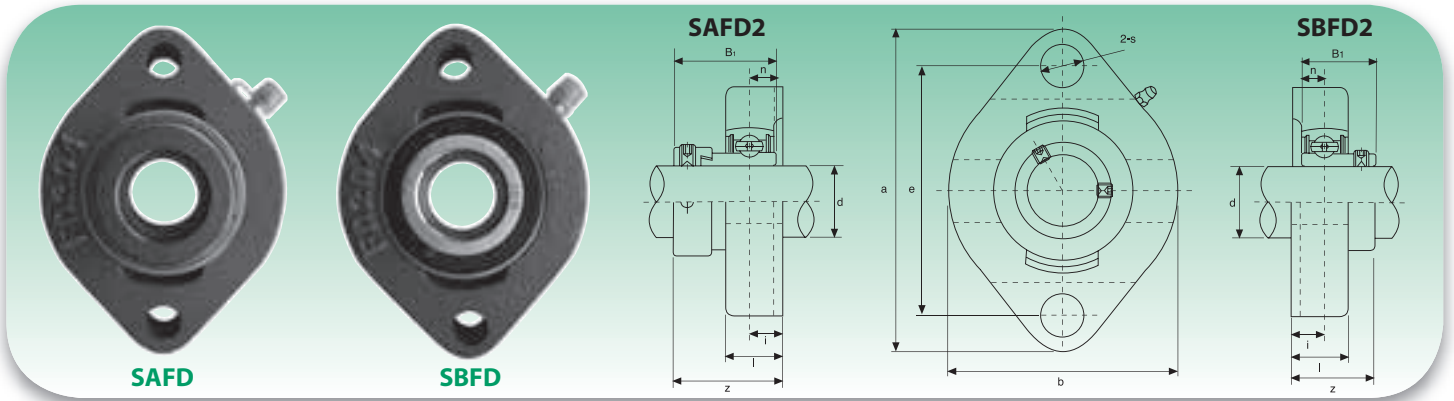
UFL Serie leggera - Light duty



Tipo Type	Dimensioni - Dimensions											Bull. fiss. Bolt Size	Coefficienti di carico (N) Load ratings (N)		Cuscinetto Bearing	Supporto Housing	Peso Weight kg	
	d	a	e	i	g	l	s	b	Z	L	n		G	Dinamico C Dynamic C				Statico C <sub>0</sub> Static C <sub>0</sub>
	mm/inch												mm/inch					
UFL000	10	60	45	5,5	5,5	11,5	7	36	15,5	14	4	4	M6	4322	1852	U000	FL000	0,063
UFL001	12	63	48	5,5	5,5	11,5	7	38	16	14,5	4	4	M6	4845	2280	U001	FL001	0,076
UFL002	15	67	53	6,5	6,5	13	7	42	18,5	16,5	4,5	4	M6	5320	2707	U002	FL002	0,100
UFL003	17	71	56	7	7	14	7	46	19,5	17,5	5	4	M6	5700	3087	U003	FL003	0,129
UFL004	20	90	71	8	8	16	10	55	23	21	6	4,5	M8	8930	4797	U004	FL004	0,205
UFL005	25	95	75	8	8	16	10	60	24,5	22,5	6	5	M8	9595	5557	U005	FL005	0,244
UFL006	30	112	85	9	9	18	13	70	27	24,5	6,5	5	M10	12540	7837	U006	FL006	0,354
UFL007	35	122	95	10	10	20	13	80	30,5	27,5	7	6	M10	14750	9750	U007	FL007	0,498

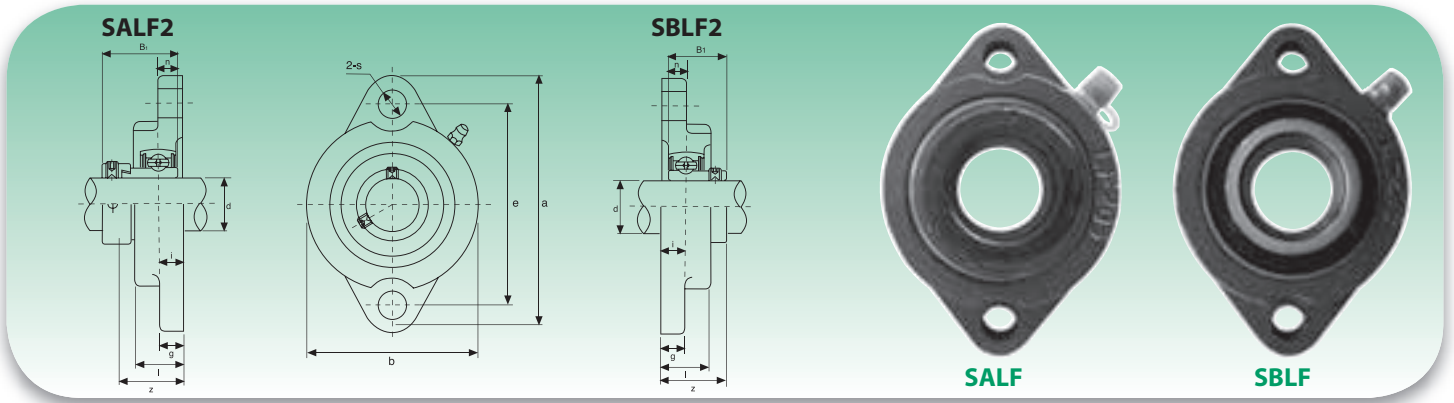
Disponibile su richiesta in acciaio inox supporto: AISI 304 - Cuscinetto: AISI 440C 0 420C - Available under request stainless steel housing: AISI 304 - Bearing: AISI 440C or 420C  
 Su richiesta fornibili anche con anello di serraggio eccentrico - Under request available with eccentric collar locking

Supporti in serie leggera in lega d'alluminio, fissaggio con grani. Un nuovo concetto di supporto; offre una significativa riduzione di peso ed ingombro rispetto alle normali serie, con risparmio economico nella progettazione di macchine.  
 Extra light duty bearing units available with set screws, a totally new concept in bearing units, offer a significant reduction in size and weight when compared with the same size of existing series. This unique design promotes both space and material saving in machine tool and general equipment application.

**SAFD2 - SBFD2**


Tipo Type	Dimensioni - Dimensions							Bull. fiss. Bolt Size	SAFD			Cuscinetto Bearing	Peso Weight	SBFD			Cuscinetto Bearing	Peso Weight	Supporto Housing	Coefficienti di carico (N) Load ratings (N)	
	d	a	e	b	i	s	l		z	B <sub>1</sub>	n			z	B <sub>1</sub>	n				Dinamico C Dynamic C	Statico C <sub>0</sub> Static C <sub>0</sub>
	mm/inch								mm/inch					mm/inch							
<b>SAFD-SBFD</b> <b>201</b>	12	81	63	59	8,5	7	15	M6	30,6	28,6	6,5	<b>SA201</b>	0,3	24	22	6	<b>SB201</b>	0,3	<b>FD203</b>	9200	4480
201-8	½	33/16	231/64	221/64	21/64	9/32	19/32	¼	113/64	1,1260	0,2559	SA201-8		61/64	0,8661	0,2362	SB201-8				
<b>SAFD-SBFD</b> <b>202</b>	15	81	63	59	8,5	7	15	M6	30,6	28,6	6,5	<b>SA202</b>	0,3	24	22	6	<b>SB202</b>	0,3	<b>FD203</b>	9200	4480
202-9	9/16											SA202-9					SB202-9				
202-10	5/8	33/16	231/64	221/64	21/64	9/32	19/32	¼	113/64	1,1260	0,2559	SA202-10		61/64	0,8661	0,2362	SB202-10				
<b>SAFD-SBFD</b> <b>203</b>	17	81	63	59	8,5	7	15	M6	30,6	28,6	6,5	<b>SA203</b>	0,3	24	22	6	<b>SB203</b>	0,3	<b>FD203</b>	9200	4480
203-11	11/16	33/16	231/64	221/64	21/64	9/32	19/32	¼	113/64	1,1260	0,2559	SA203-11		61/64	0,8661	0,2362	SB203-11				
<b>SAFD-SBFD</b> <b>204</b>	20	90	71	67	9,5	10	17	M8	33	31	7,5	<b>SA204</b>	0,5	27,5	25	7	<b>SB204</b>	0,4	<b>FD204</b>	12200	6300
204-12	¾	335/64	251/64	241/64	3/8	25/64	43/64	5/16	119/64	1,2204	0,2953	SA204-12		15/64	0,9843	0,2756	SB204-12				
<b>SAFD-SBFD</b> <b>205</b>	25	95	76	71	9,5	10	17	M8	33	31	7,5	<b>SA205</b>	0,5	29	27	7,5	<b>SB205</b>	0,5	<b>FD205</b>	13300	7460
205-13	13/16											SA205-13					SB205-13				
205-14	7/8	3¾	263/64	251/64	3/8	25/64	43/64	5/16	119/64	1,2204	0,2953	SA205-14		19/64	1,0630	0,2953	SB205-14				
205-15	15/16											SA205-15					SB205-15				
205-16	1											SA205-16					SB205-16				
<b>SAFD-SBFD</b> <b>206</b>	30	113	90	84	12	12	21	M10	38,7	35,7	9	<b>SA206</b>	0,8	34	30	8	<b>SB206</b>	0,8	<b>FD206</b>	18500	10800
206-17	11/16											SA206-17					SB206-17				
206-18	11/8	47/16	335/64	35/16	15/32	15/32	53/64	3/8	117/32	1,4055	0,3543	SA206-18		111/32	1,1811	0,3150	SB206-18				
206-19	13/16											SA206-19					SB206-19				
206-20	1¼											SA206-20					SB206-20				
<b>SAFD-SBFD</b> <b>207</b>	35	125	100	94	12,5	12	22	M10	41,9	38,9	9,5	<b>SA207</b>	1,0	36	32	8,5	<b>SB207</b>	0,9	<b>FD207</b>	24500	14600
207-20	1¼											SA207-20					SB207-20				
207-21	15/16	459/64	315/16	345/64	½	15/32	7/8	3/8	121/32	1,5315	0,3740	SA207-21		127/64	1,2598	0,3346	SB207-21				
207-22	13/8											SA207-22					SB207-22				
205-23	17/16											SA205-23					SB205-23				
<b>SAFD-SBFD</b> <b>208</b>	40	149	119	104	15	14	25	M12	45,7	-	11	<b>SA208</b>	1,4	41	-	9	<b>SB208</b>	1,2	<b>FD208</b>	27700	17000

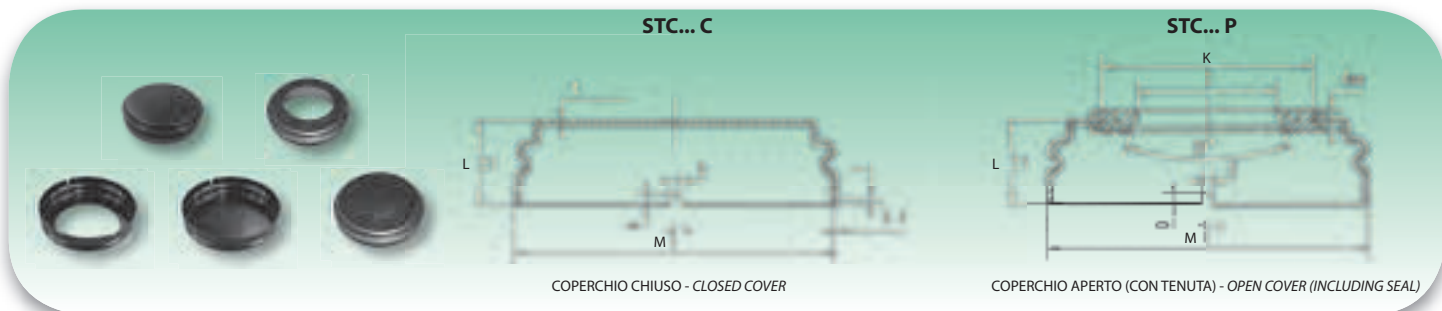
SALF2 - SBLF2



Tipo Type	Dimensioni - Dimensions								Bull. fiss. Bolt Size	SALF			Cuscinetto Bearing	Peso Weight	SBLF			Cuscinetto Bearing	Peso Weight	Supporto Housing	Coefficienti di carico (N) Load ratings (N)	
	d	a	e	b	i	s	g	l		z	B <sub>1</sub>	n			z	B <sub>1</sub>	n				Dinamico C Dynamic C	Statico C <sub>0</sub> Static C <sub>0</sub>
	mm/inch									mm/inch					mm/inch							
<b>SALF-SBLF</b> <b>201</b> 201-8	12 ½	81 33/16	63,5 2½	56 2 1/8	9,5 3/8	8 5/16	9,5 3/8	18 45/64	M6 ¼	31,6 1¼	28,6 1,1260	6,5 0,2559	<b>SA201</b> SA201-8	0,3 1	25,5 0,8661	22 0,2362	6	<b>SB201</b> SB201-8	0,3	<b>LF203</b>	9200	4480
<b>SALF-SBLF</b> <b>202</b> 202-9 202-10	15 9/16 5/8	81 33/16	63,5 2½	56 2 1/8	9,5 3/8	8 5/16	9,5 3/8	18 45/64	M6 ¼	31,6 1¼	28,6 1,1260	6,5 0,2559	<b>SA202</b> SA202-9 SA202-10	0,3 1	25,5 0,8661	22 0,2362	6	<b>SB202</b> SB202-9 SB202-10	0,3	<b>LF203</b>	9200	4480
<b>SALF-SBLF</b> <b>203</b> 203-11	17 11/16	81 33/16	63,5 2½	56 2 1/8	9,5 3/8	8 5/16	9,5 3/8	18 45/64	M6 ¼	31,6 1¼	28,6 1,1260	6,5 0,2559	<b>SA203</b> SA203-11	0,3 1	25,5 0,8661	22 0,2362	6	<b>SB203</b> SB203-11	0,3	<b>LF203</b>	9200	4480
<b>SALF-SBLF</b> <b>204</b> 204-12	20 ¾	90 35/64	71,5 2 13/64	61 2 13/64	11 7/16	10 25/64	11 7/16	20 25/32	M8 5/16	34,5 1 23/64	31 1,2204	7,5 0,2953	<b>SA204</b> SA204-12	0,4 19/64	29 0,9843	25 0,2756	7	<b>SB204</b> SB204-12	0,3	<b>LF204</b>	12200	6300
<b>SALF-SBLF</b> <b>205</b> 205-13 205-14 205-15 205-16	25 13/16 7/8 15/16 1	95 3 3/4	76 2 3/64	64 2 3/64	11 7/16	10 25/64	11 7/16	20 25/32	M8 5/16	34,5 1 23/64	31 1,2204	7,5 0,2953	<b>SA205</b> SA205-13 SA205-14 SA205-15 SA205-16	0,5 113/64	30,5 1,0630	27 0,2953	7,5	<b>SB205</b> SB205-13 SB205-14 SB205-15 SB205-16	0,4	<b>LF205</b>	13300	7460
<b>SALF-SBLF</b> <b>206</b> 206-17 206-18 206-19 205-20	30 11/16 11/8 13/16 1¼	113 47/16	90,5 39/16	76 3	12 15/32	12 15/32	12 15/32	22,5 57/64	M10 3/8	38,7 1 33/64	35,7 1,4055	9 0,3543	<b>SA206</b> SA206-17 SA206-18 SA206-19 SA206-20	0,7 111/32	34 1,1811	30 0,3150	8	<b>SB206</b> SB206-17 SB206-18 SB206-19 SB206-20	0,6	<b>LF206</b>	18500	10800
<b>SALF-SBLF</b> <b>207</b> 207-20 207-21 207-22 205-23	35 1¼ 15/16 13/8 17/16	122 4 13/16	100 3 15/16	89 3 1/2	13 33/64	12 15/32	13 33/64	24 61/64	M10 3/8	42,4 1 43/64	38,9 1,5315	9,5 0,3740	<b>SA207</b> SA207-20 SA207-21 SA207-22 SA207-23	0,9 17/16	36,5 1,2598	32 0,3346	8,5	<b>SB207</b> SB207-20 SB207-21 SB207-22 SB207-23	0,8	<b>LF207</b>	24500	14600

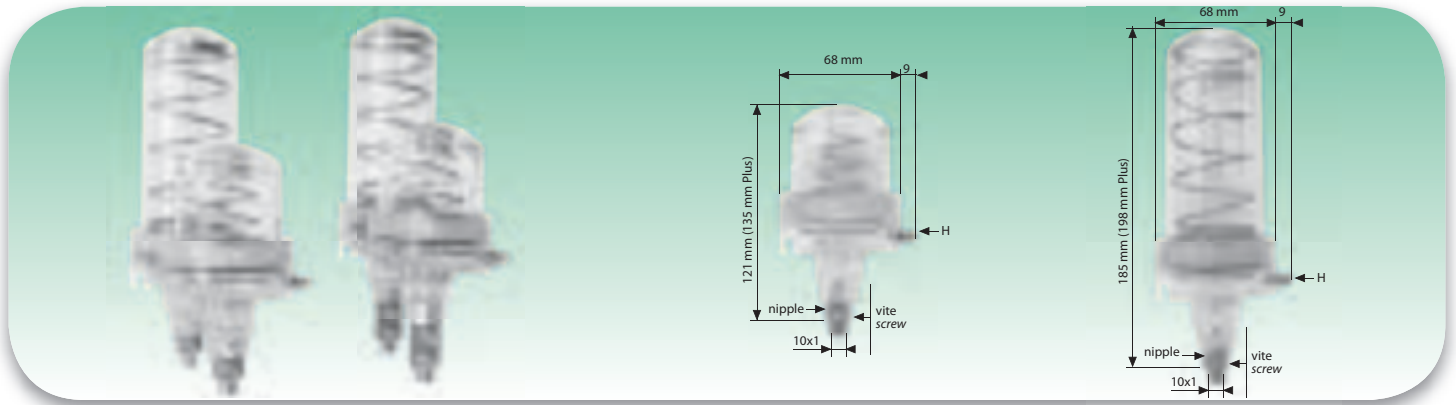


d Ø	Dimensioni - Dimensions							Viti fissaggio Fixing bolts	Tipo cuscinetto Bearing type	Peso fusione kg Housing weight kg
	H	J	A2	A1	A	S	f h8			
mm										
20	100	78	2	8	17	9	62	M8	GRAE 20	0,37
25	115	90	2,5	9	19	9	70	M8	GRAE 25	0,55
30	125	100	2	9,5	20,5	11,5	80	M10	GRAE 30	0,66
35	135	110	1	10	20,5	11,5	90	M10	GRAE 35	0,79
40	145	120	1	11,5	23	11,5	100	M10	GRAE 40	1
45	155	130	2	12	25	14	105	M12	GRAE 45	1,24
50	165	135	1	13	25	14	110	M12	GRAE 50	1,53
55	185	150	0	15	27,5	18	125	M16	GRAE 55	1,95
60	195	160	1	16	29	18	135	M16	GRAE 60	2,15



Tipo Type	Dimensioni - Dimensions					
	C	M	K	L	D	t
mm						
STC204C	20	52	32	14,7	2,0	1,0
STC204P						
STC205C	25	58	38	15,5	2,0	1,0
STC205P						
STC206C	30	68	42	16,5	2,0	1,0
STC206P						
STC207C	35	78	48	19,5	2,5	1,0
STC207P						
STC208C	40	85,9	52	23,6	2,5	1,0
STC208P						
STC209C	45	91	57	24	2,5	1,0
STC209P						
STC210C	50	96	62	26	2,5	1,0
STC210P						
STC211C	55	108	67	25,5	2,5	1,0
STC211P						
STC212C	60	120	72	31,5	2,5	1,0
STC212P						
STC218C	90	168	102	40	2,5	1,0
STC218P						

I coperchi sono disponibili su richiesta - Covers are available under request



Gli ingrassatori e oliatori ISB sono costruiti in Lexan® trasparente, un materiale plastico ad alta resistenza meccanica, chimica e termica; questa soluzione permette di visualizzare il consumo del lubrificante in qualsiasi momento. All'interno delle capsule in Lexan® è presente una molla che permette di attivare immediatamente gli ingrassatori e oliatori ISB, che non necessitano quindi di energia elettrica o gas per funzionare; il flusso di lubrificante è sempre costante, senza accumuli solidi, ottenendo così un forte risparmio in termini di fermi di produzione ed eventuali riparazioni. Gli ingrassatori e gli oliatori ISB possono essere ricaricati più volte tramite l'ingrassatore laterale H (su richiesta disponibile in versione DE); essi sono installabili ovunque ci sia un punto da lubrificare (cuscinetti, boccole, snodi ecc).

The ISB greasers and oilers are made of transparent Lexan®, a plastic material with high mechanical, chemical and thermal resistance; this solution allows to control the consumption of the lubricant at any time. Inside the Lexan® capsules there is a spring that allows an immediate activation of the ISB greasers and oilers, so they do not need any electrical energy or gas to operate; the lubricant flow remains constant, with no solid matter accumulation and consequently there is an high saving in terms of production stops and possible repairs. The ISB greasers and oilers can be refilled more times from side lubricator H (under request the DE side lubricator is available); they can be installed wherever a point to be lubricated is present (bearings, bushes, joints etc).

**Caratteristiche tecniche - Technical characteristics**

Tipo Type	Capacità Capacity	Temperatura di utilizzo Temperature of application	Durata erogazione lubrificante Lubricant supply duration	Intensità fuoriuscita lubrificante Lubricant emission intensity	Molla Spring	Consistenza lubrificante Lubricant consistency
	ml	°C	mesi months			
<b>INGRASSATORE ISB</b> ISB GREASER	100/220	-30/+132	1,3,6,12	...	*D,M,F	NLGI 0-1-2-3-4
<b>OLIATORE ISB</b> ISB OILER	100/220	-30/+132	1,3,6,12	...	*D,M,F	NLGI 0-1-2-3-4
<b>INGRASSATORE ISB PLUS</b> ISB GREASER PLUS	100/220	-30/+132	1,3,6,12	**L,M,H	Unica	NLGI 0-1-2-3-4

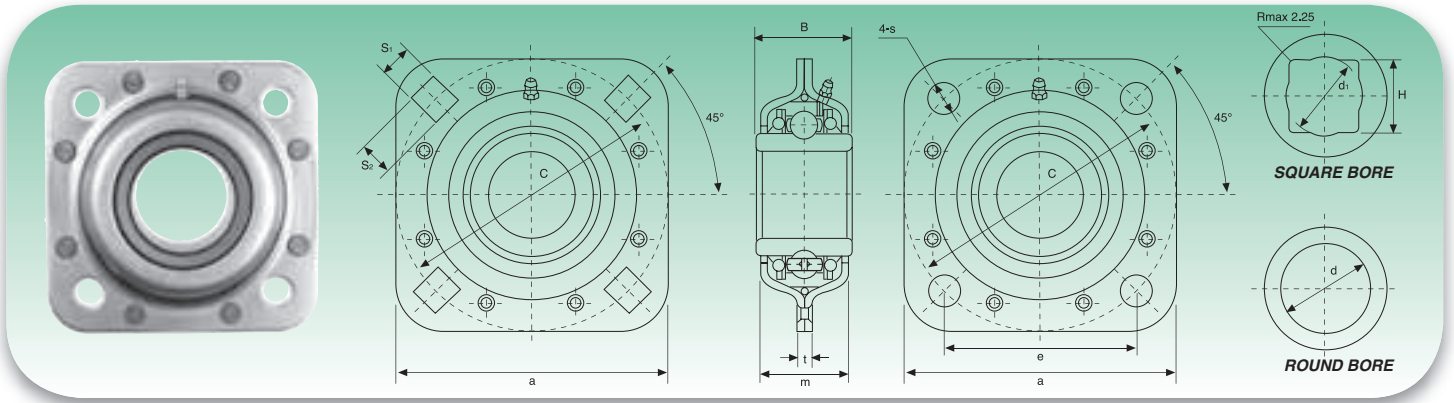
- \* M: Molla media standard - Standard medium spring.
- D: Molla debole per alta temperatura e/o grasso fluido (disponibile su richiesta) - Light spring for high temperature and/or fluid grease (available under request).
- F: Molla forte per bassa temperatura e/o grasso denso (disponibile su richiesta) - Strong spring for low temperature and/or dense grease (available under request).
- \*\* L: Leggera - Light
- M: Media - Medium
- H: Alta - High



**ADATTATORI (disponibili su richiesta)**  
ADAPTERS (available under request)



**ESEMPIO DI APPLICAZIONE**  
APPLICATION EXAMPLE



Tipo Type	Dimensioni - Dimensions												Coefficienti di carico (N) Load ratings (N)	
	H	d	a	B	m	t	C	s	s <sub>1</sub>	s <sub>2</sub>	d <sub>1</sub>	e	Dinamico C Dynamic C	Statico C <sub>0</sub> Static C <sub>0</sub>
	mm/inch													
<b>ST209-1½</b>	29,972	-	127	42,8	42	6	127	13,5	13,5	17,45	32,0	-	24360	17710
<b>ST209-30S</b>	31,353	-	127	42,8	42	6	127	13,5	13,5	17,45	34,5	-	24360	17710
<b>ST209-1¼</b>	32,766	-	127	42,8	42	6	127	13,5	13,5	17,45	34,5	-	24360	17710
<b>ST491B</b>	-	38,860	127	42,8	42	6	127	13,5	13,5	17,45	-	-	24360	17710
<b>ST209-40R</b>	-	40,878	127	42,8	42	6	127	13,5	13,5	17,45	-	-	24360	17710
<b>ST491A</b>	-	45,000	127	42,8	42	6	127	13,5	13,5	17,45	-	90	24360	17710
<b>ST209-45R</b>	-	45,340	127	42,8	42	6	127	13,5	13,5	17,45	-	-	24360	17710
<b>ST491A<sup>1)</sup></b>	-	45,000	121	46	42	6	121	13,5	-	-	-	85	24360	17710
<b>ST211-1½</b>	38,890	-	139,7	50,8	46	8	139,7	13,5	13,5	17,45	42,0	-	33370	25110
<b>ST211-40S</b>	40,878	-	139,7	50,8	46	8	139,7	13,5	13,5	17,45	43,1	-	33370	25110
<b>ST211-50R</b>	-	50,400	139,7	50,8	46	8	139,7	13,5	13,5	17,45	-	-	33370	25110
<b>ST211-55R</b>	-	55,575	139,7	50,8	46	8	139,7	13,5	13,5	17,45	-	-	33370	25110
<b>ST211-1¾</b>	-	45,212	139,7	55,6	46	8	139,7	13,5	13,5	17,45	-	-	33370	25110
<b>ST211-2¾/16</b>	-	55,575	139,7	55,6	46	8	139,7	13,5	13,5	17,45	-	-	33370	25110
<b>ST211-1<sup>15</sup>/<sub>16</sub></b>	-	49,238	139,7	69,9	46	8	139,7	13,5	13,5	17,45	-	-	33370	25110
<b>ST211</b>	-	55,000	139,7	55,6	46	8	139,7	13,5	13,5	17,45	-	-	33370	25110
<b>ST740</b>	-	55,562	139,7	55,6	45	7	139,7	13,5	13,5	17,45	-	98	33370	25110

<sup>1)</sup> Dimensioni speciali - Special dimensions

Disponibile su richiesta con fori di fissaggio quadrati - Available on request with square fixing holes